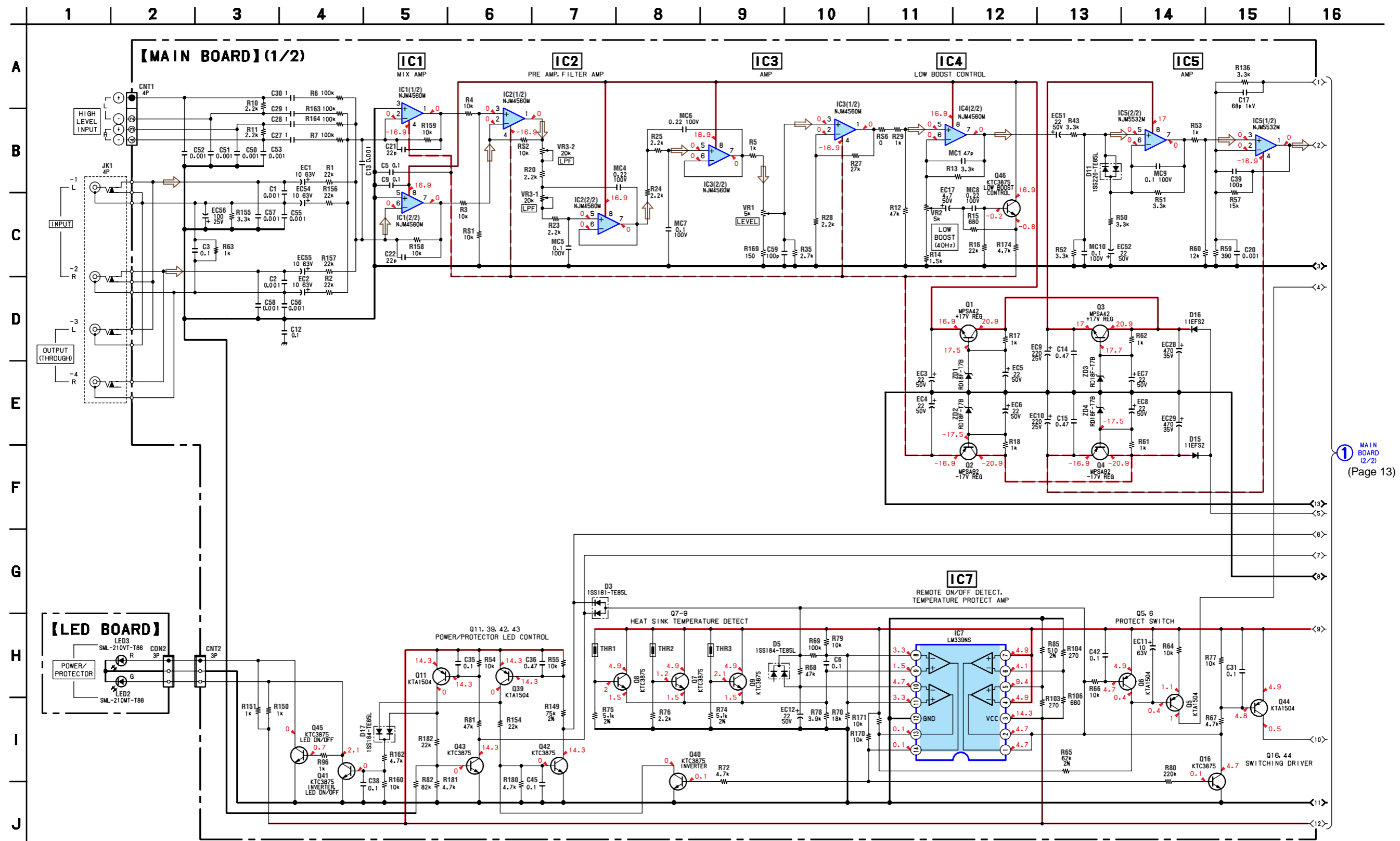
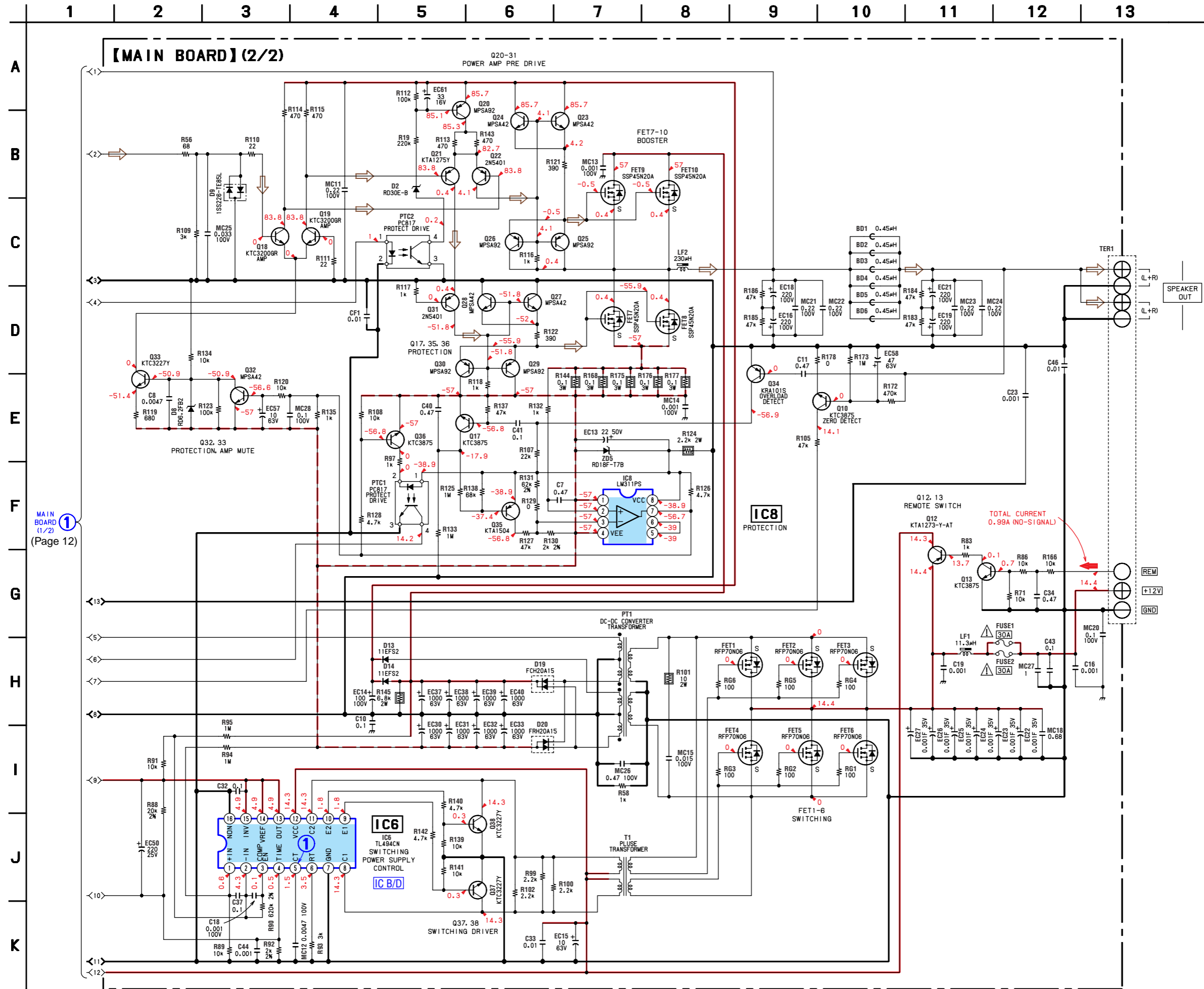


3-4. SCHEMATIC DIAGRAM — MAIN SECTION (1/2) — • Refer to page 9 for Common Note on Schematic Diagram.



1 MAIN BOARD (1/2) (Page 13)

3-5. SCHEMATIC DIAGRAM — MAIN SECTION (2/2) — • Refer to page 9 for Common Note on Schematic Diagram and IC Block Diagram.



MAIN BOARD (1/2) (Page 12)

