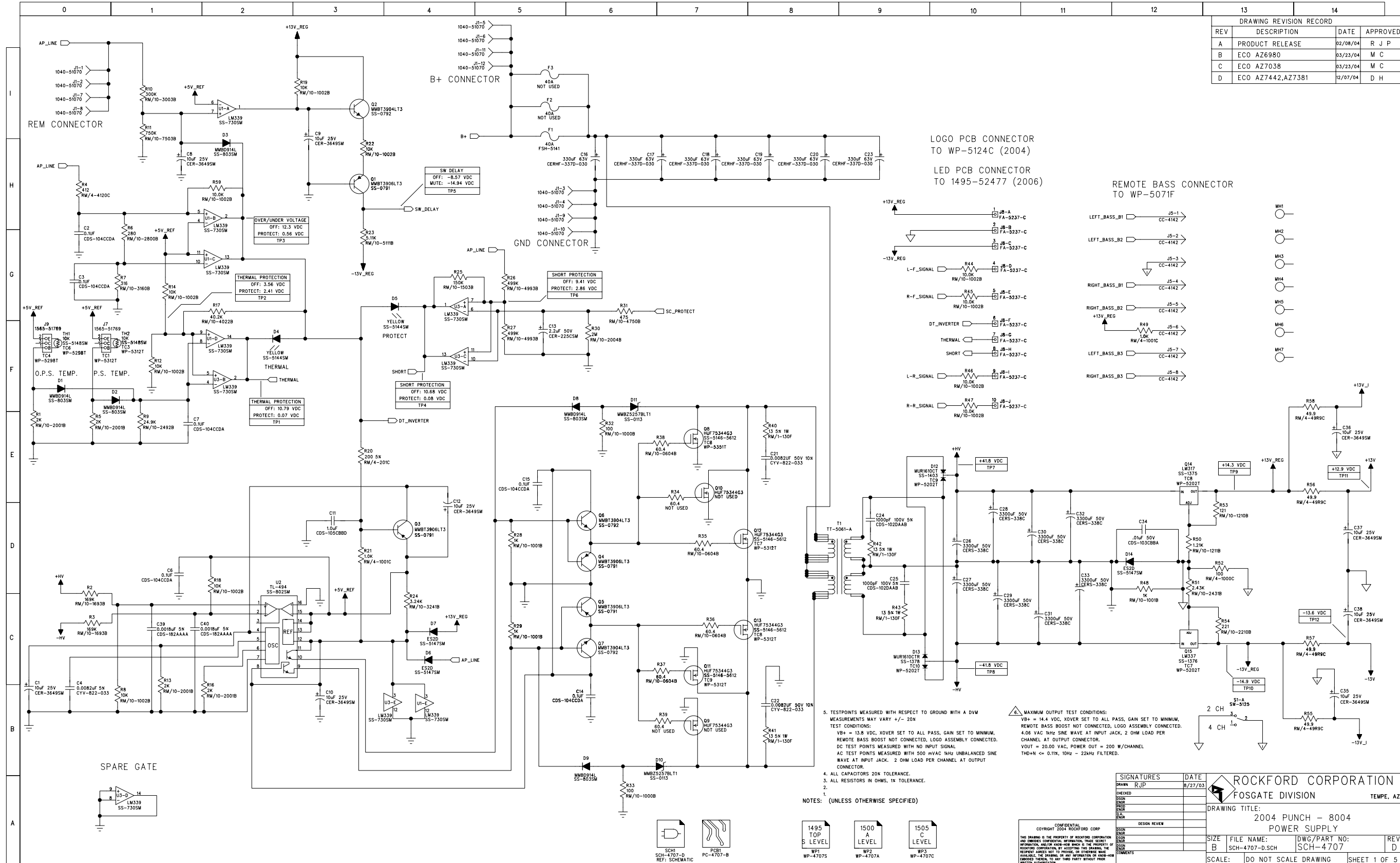


DRAWING REVISION RECORD			
REV	DESCRIPTION	DATE	APPROVED
A	PRODUCT RELEASE	02/08/04	R J P
B	ECO AZ6980	03/23/04	M C
C	ECO AZ7038	03/23/04	M C
D	ECO AZ7442,AZ7381	12/07/04	D H



5. TESTPOINTS MEASURED WITH RESPECT TO GROUND WITH A DVM  
 MEASUREMENTS MAY VARY +/- 20%  
 TEST CONDITIONS:  
 VB+ = 13.8 VDC, XOVER SET TO ALL PASS, GAIN SET TO MINIMUM,  
 REMOTE BASS BOOST NOT CONNECTED, LOGO ASSEMBLY CONNECTED.  
 DC TEST POINTS MEASURED WITH NO INPUT SIGNAL  
 AC TEST POINTS MEASURED WITH 500 mVAC 1kHz UNBALANCED SINE  
 WAVE AT INPUT JACK. 2 OHM LOAD PER CHANNEL AT OUTPUT  
 CONNECTOR.

MAXIMUM OUTPUT TEST CONDITIONS:  
 VB+ = 14.4 VDC, XOVER SET TO ALL PASS, GAIN SET TO MINIMUM,  
 REMOTE BASS BOOST NOT CONNECTED, LOGO ASSEMBLY CONNECTED.  
 4.06 VAC 1kHz SINE WAVE AT INPUT JACK, 2 OHM LOAD PER  
 CHANNEL AT OUTPUT CONNECTOR.  
 VOUT = 20.00 VAC, POWER OUT = 200 W/CHANNEL  
 THD+N <= 0.1%, 10Hz - 22kHz FILTERED.

- ALL CAPACITORS 20% TOLERANCE.
- ALL RESISTORS IN OHMS, 1% TOLERANCE.
- 1.

NOTES: (UNLESS OTHERWISE SPECIFIED)

SIGNATURES		DATE	<b>ROCKFORD CORPORATION</b> FOSGATE DIVISION TEMPE, AZ
DRAWN RJP		8/27/03	
CHECKED	DESIGN	DATE	DRAWING TITLE: <b>2004 PUNCH - 8004</b> <b>POWER SUPPLY</b>
DESIGN	DATE	FILE NAME:	
DATE	DATE	DWG/PART NO:	
DATE	DATE	SCH-4707	
SCALE:	DO NOT SCALE DRAWING		SHEET 1 OF 5

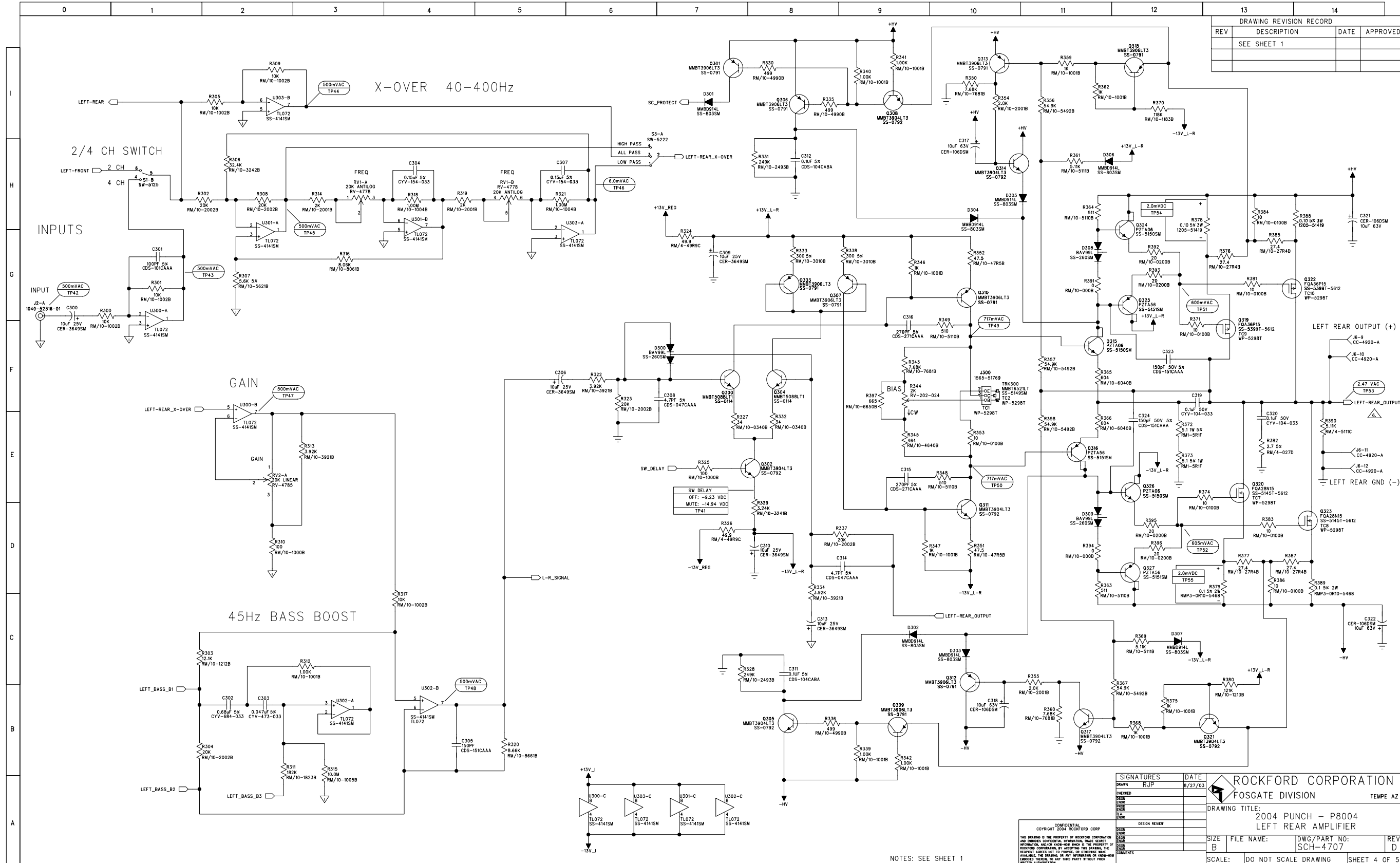
1495 TOP S LEVEL	1500 A LEVEL	1505 C LEVEL
WP1 WP-4707S	WP2 WP-4707A	WP3 WP-4707C

THIS DRAWING IS THE PROPERTY OF ROCKFORD CORPORATION AND SHOULD BE KEPT IN CONFIDENTIALITY. IT IS TO BE USED ONLY FOR THE PROJECT AND THE REPRODUCED PARTS ARE NOT TO BE REPRODUCED OR OTHERWISE MADE AVAILABLE TO ANY OTHER PARTY WITHOUT PRIOR WRITTEN AUTHORIZATION.





DRAWING REVISION RECORD			
REV	DESCRIPTION	DATE	APPROVED
1	SEE SHEET 1		

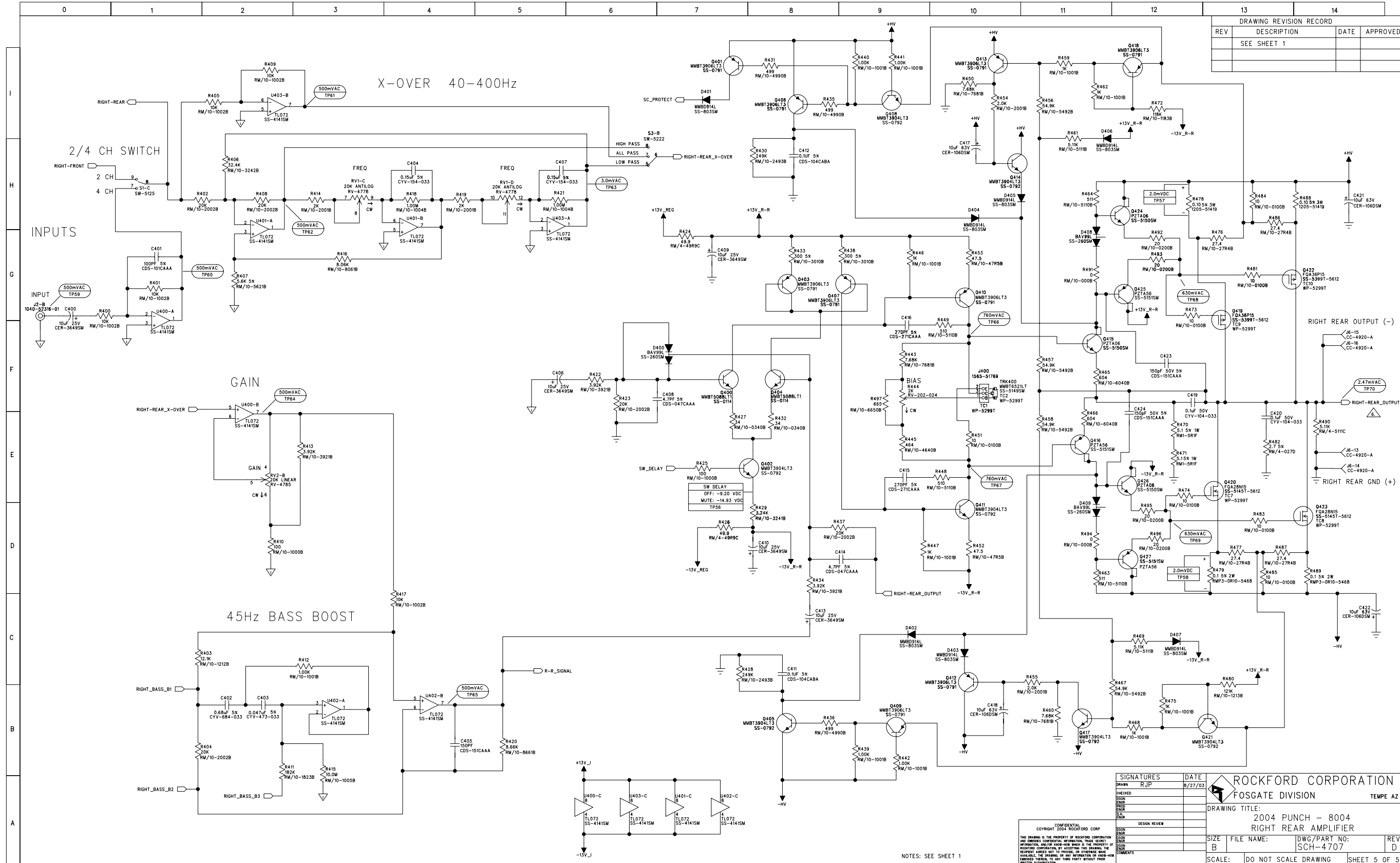


SIGNATURES		DATE	<b>ROCKFORD CORPORATION</b> FOSGATE DIVISION TEMPE AZ
DRAWN	RJP	8/27/03	
CHECKED			DRAWING TITLE: <b>2004 PUNCH - P8004</b> <b>LEFT REAR AMPLIFIER</b>
DESIGN			
TEST			
ASSEMBLY			
FILE NAME:	DWC/PART NO:		REV
SCH-4707	SCH-4707		D
SCALE:	DO NOT SCALE DRAWING		SHEET 4 OF 5

NOTES: SEE SHEET 1

CONFIDENTIAL  
 COPYRIGHT 2004 ROCKFORD CORP.  
 THIS DRAWING IS THE PROPERTY OF ROCKFORD CORPORATION. IT IS UNLAWFUL TO REPRODUCE, COPY, OR TRANSMIT IN ANY MANNER WITHOUT THE WRITTEN PERMISSION OF ROCKFORD CORPORATION. THE REPRODUCER AGREES NOT TO PROVIDE, OR OTHERWISE MAKE AVAILABLE TO THE DESIGNER, OR ANY OTHER PARTY, ANY INFORMATION OR OTHER DATA EMPLOYED HEREIN, TO ANY THIRD PARTY WITHOUT PRIOR WRITTEN AUTHORIZATION.

DRAWING REVISION RECORD			
REV	DESCRIPTION	DATE	APPROVED
1	SEE SHEET 1		



SIGNATURES		DATE	<b>ROCKFORD CORPORATION</b> FOSGATE DIVISION TEMPE AZ
DRAWN: RJP		8/27/03	
CHECKED:	DESIGN:	DATE:	DRAWING TITLE: <b>2004 PUNCH - 8004</b> <b>RIGHT REAR AMPLIFIER</b>
DESIGN:	DATE:	FILE NAME:	
DESIGN:	DATE:	DWG/PART NO:	
DESIGN:	DATE:	SCH-4707	
DESIGN:	DATE:	REV	D
DESIGN:	DATE:	SCALE:	DO NOT SCALE DRAWING
DESIGN:	DATE:	SHEET	5 OF 5

THIS DRAWING IS THE PROPERTY OF ROCKFORD CORPORATION AND IS NOT TO BE REPRODUCED OR TRANSMITTED IN ANY FORM OR BY ANY MEANS, ELECTRONIC OR MECHANICAL, INCLUDING PHOTOCOPYING, RECORDING, OR BY ANY INFORMATION STORAGE AND RETRIEVAL SYSTEM. THE REPRODUCER AGREES NOT TO PROVIDE, OR OTHERWISE MAKE AVAILABLE, THE DRAWING, OR ANY INFORMATION OR OTHER DOCUMENTS HEREIN, TO ANY THIRD PARTY WITHOUT PRIOR WRITTEN AUTHORIZATION.

NOTES: SEE SHEET 1