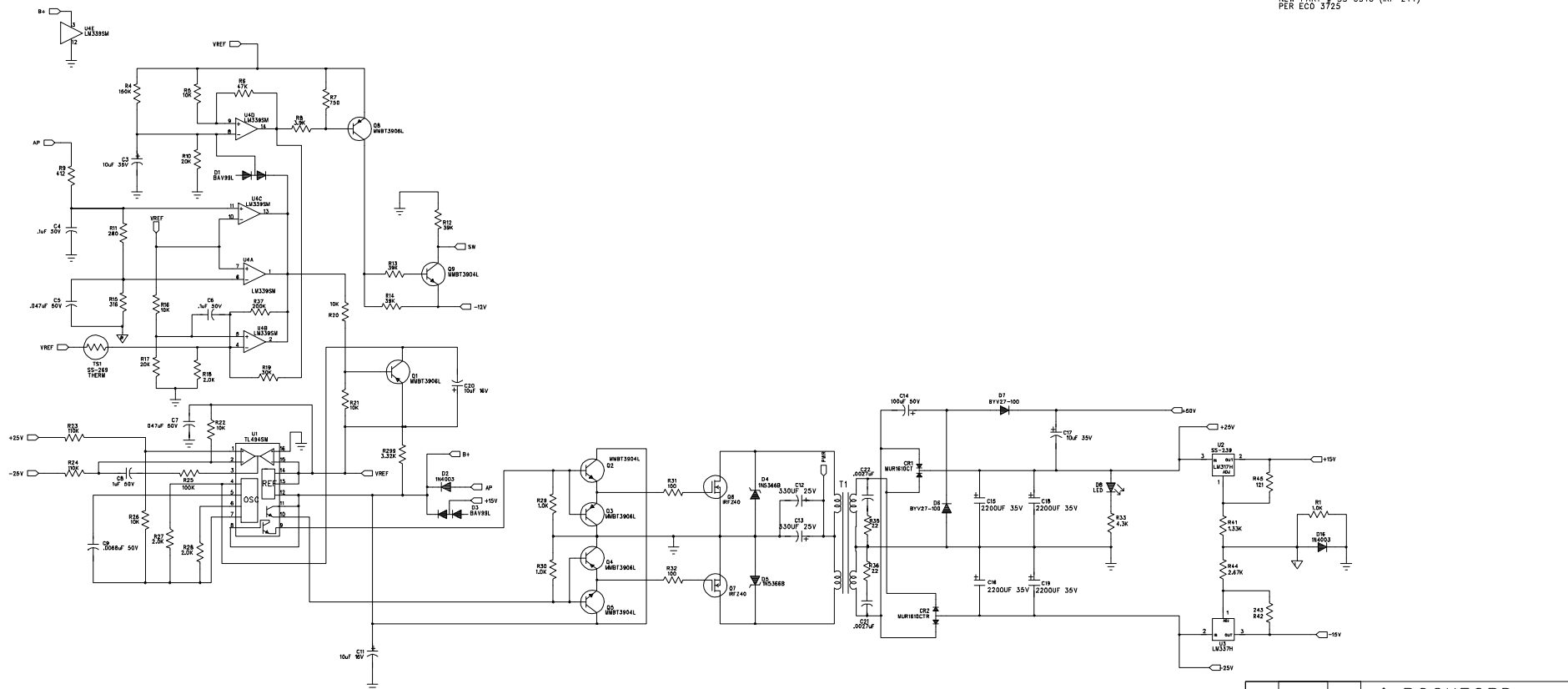



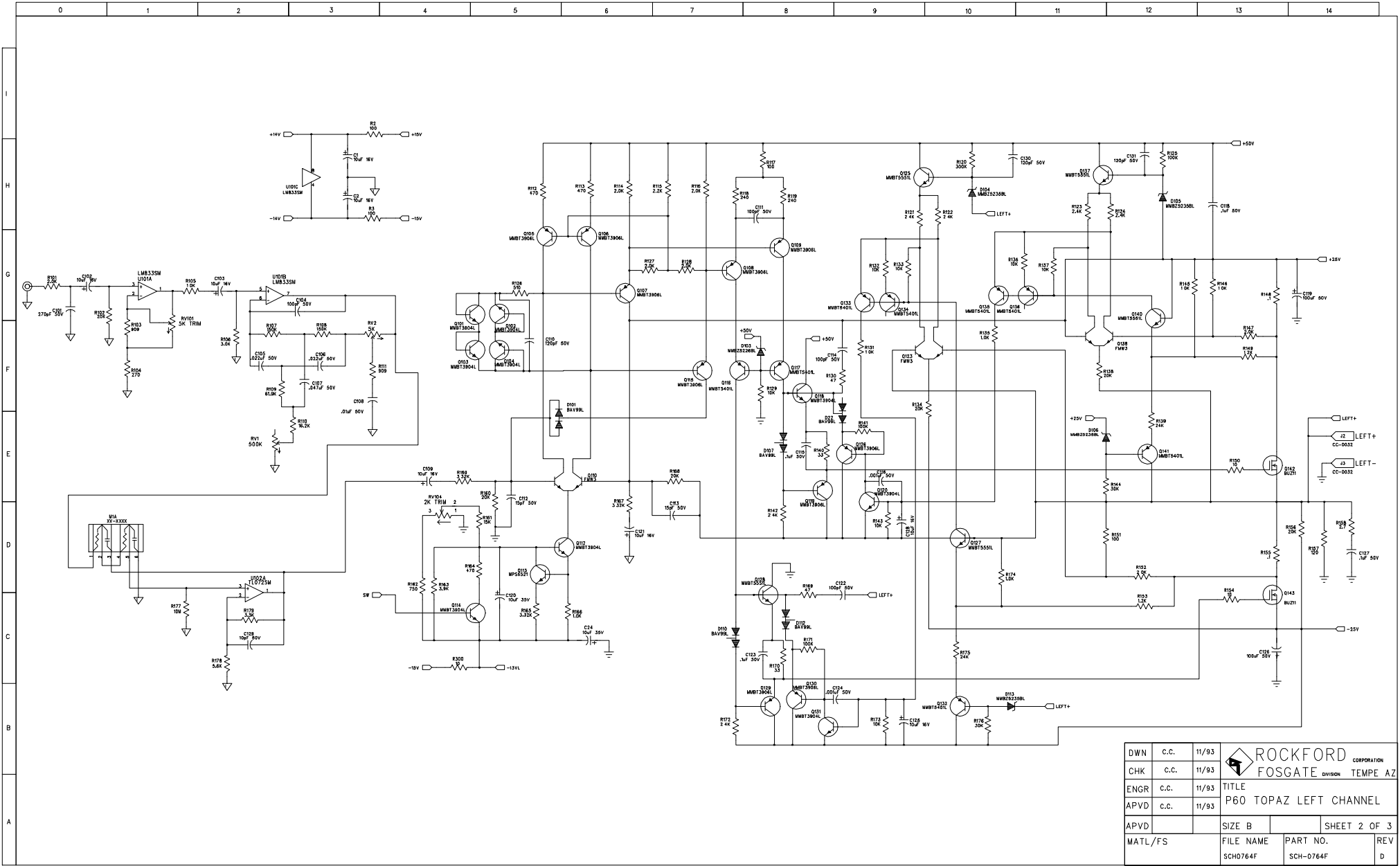
CORD	REV	REVISION RECORD	AUTHORITY	DATE
	A	PRODUCTION RELEASE ECO 3835	W.C.	12-94
	B	ECO 3703	H.M.	12-94
	C	ECO 3725	H.M.	12-94
	D	ECO 3851	H.M.	5-95


RM/10-101B (100 OHM 5%) HAS BEEN REPLACED. REF DES R300, 301 NEW PART # RM/10-100B (10 OHM 5%) PER ECO 3703

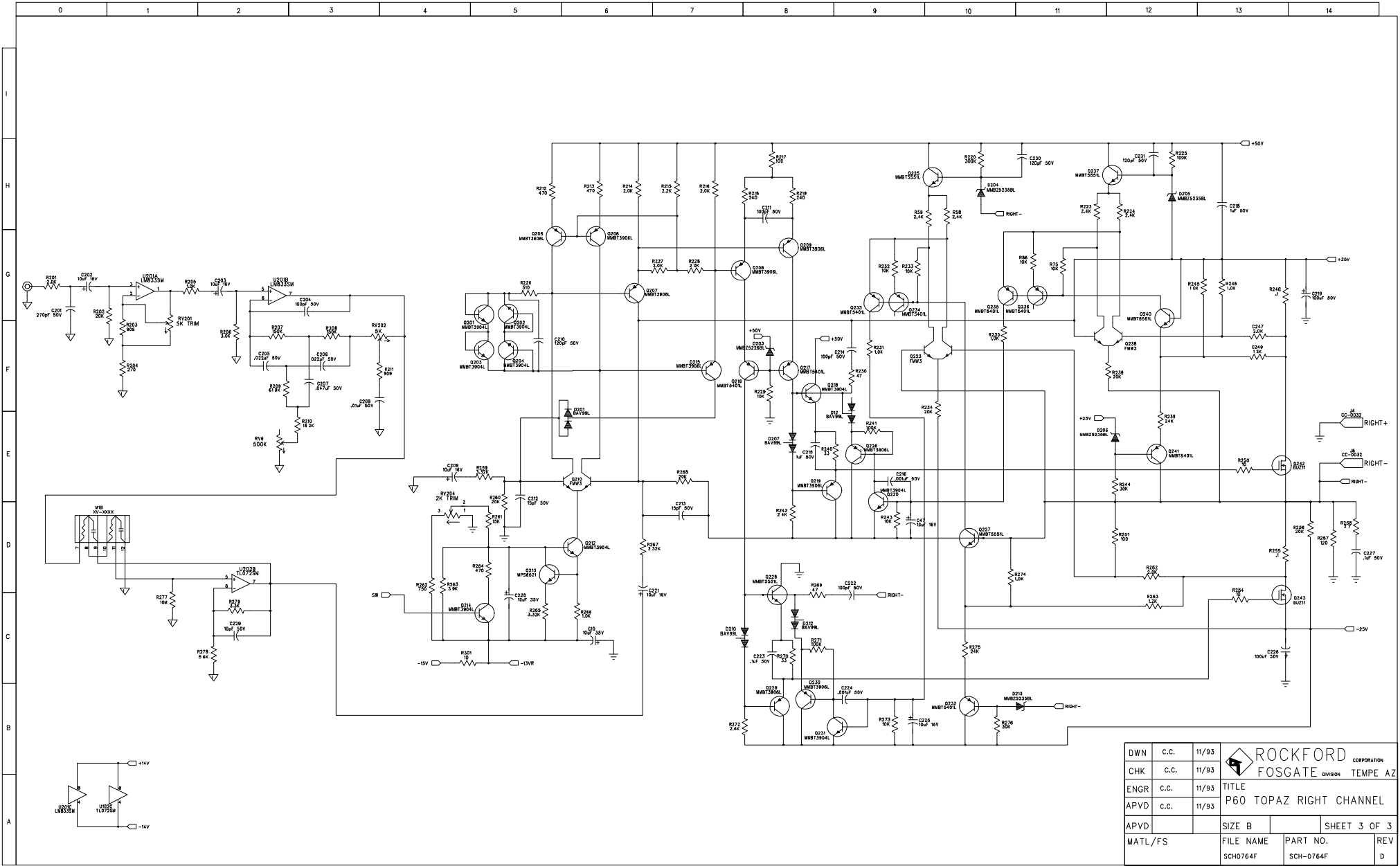
SS-201 (RF-240) HAS BEEN REPLACED. RES DES OF NEW PART # SS-0940 (RF-244) PER ECO 3725




DWN	c.c.	11/93	 ROCKFORD CORPORATION FOSGATE DIVISION	TEMPE AZ
CHK	c.c.	11/93		
ENGR	c.c.	11/93	TITLE	
APVD	c.c.	11/93	P60 TOPAZ POWER SUPPLY	
APVD			SIZE B	SHEET 1 OF 3
MATL/FS			FILE NAME	PART NO.
			SCH0764F	SCH-0764F



DWN	C.C.	11/93	 ROCKFORD CORPORATION FOSGATE DIVISION	TEMPE AZ
CHK	C.C.	11/93		
ENGR	C.C.	11/93	TITLE	
APVD	C.C.	11/93	P60 TOPAZ LEFT CHANNEL	
APVD			SIZE B	SHEET 2 OF 3
MATL/FS			FILE NAME	PART NO.
			SCH0764F	SCH-0764F



DWN	C.C.	11/93	 ROCKFORD CORPORATION FOSGATE DIVISION TEMPE AZ
CHK	C.C.	11/93	
ENGR	C.C.	11/93	
APVD	C.C.	11/93	
			TITLE
			P60 TOPAZ RIGHT CHANNEL
APVD			SHEET 3 OF 3
MATL/FS	SIZE B	FILE NAME	PART NO.
	SCH0764F		SCH-0764F