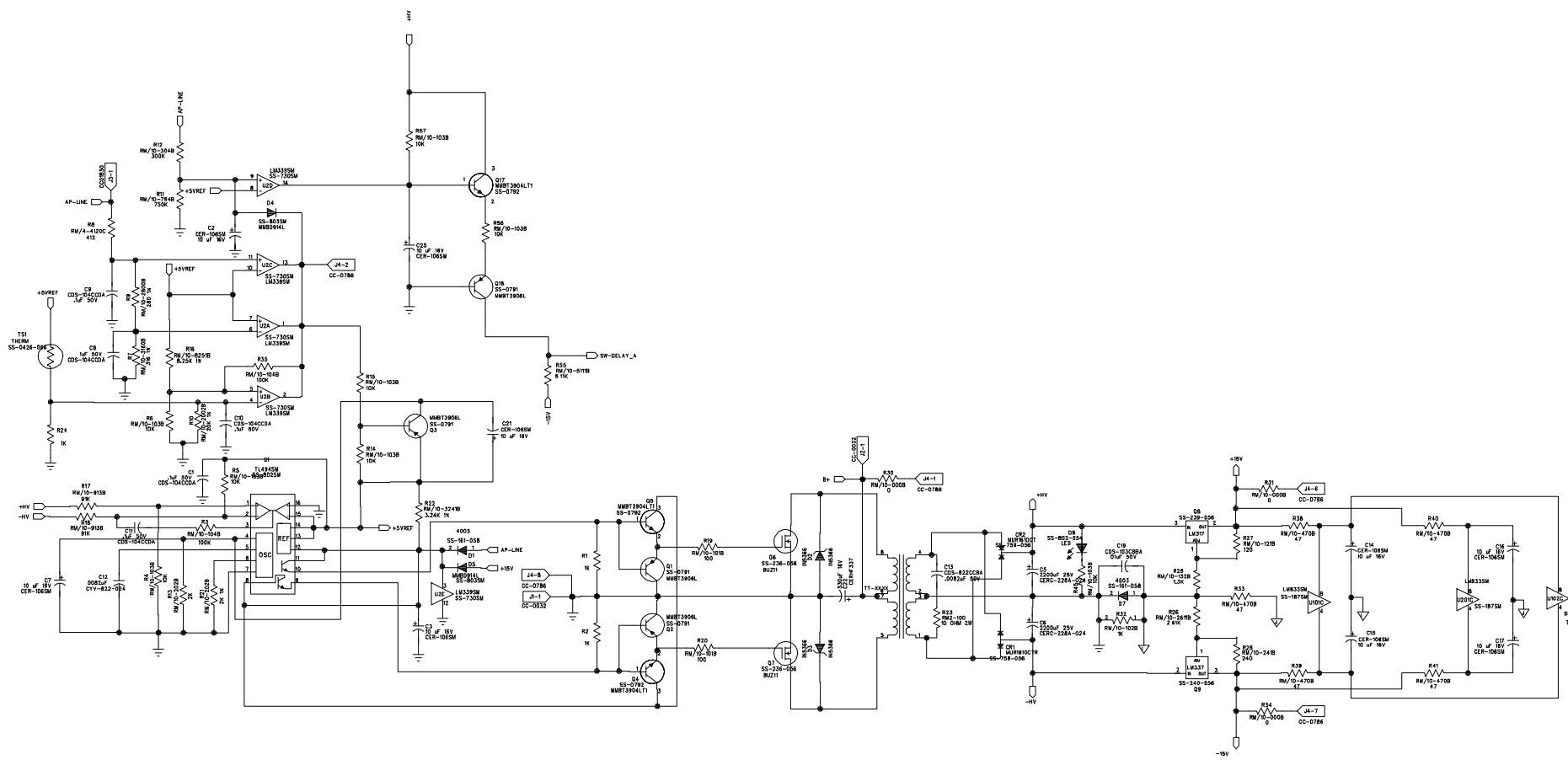
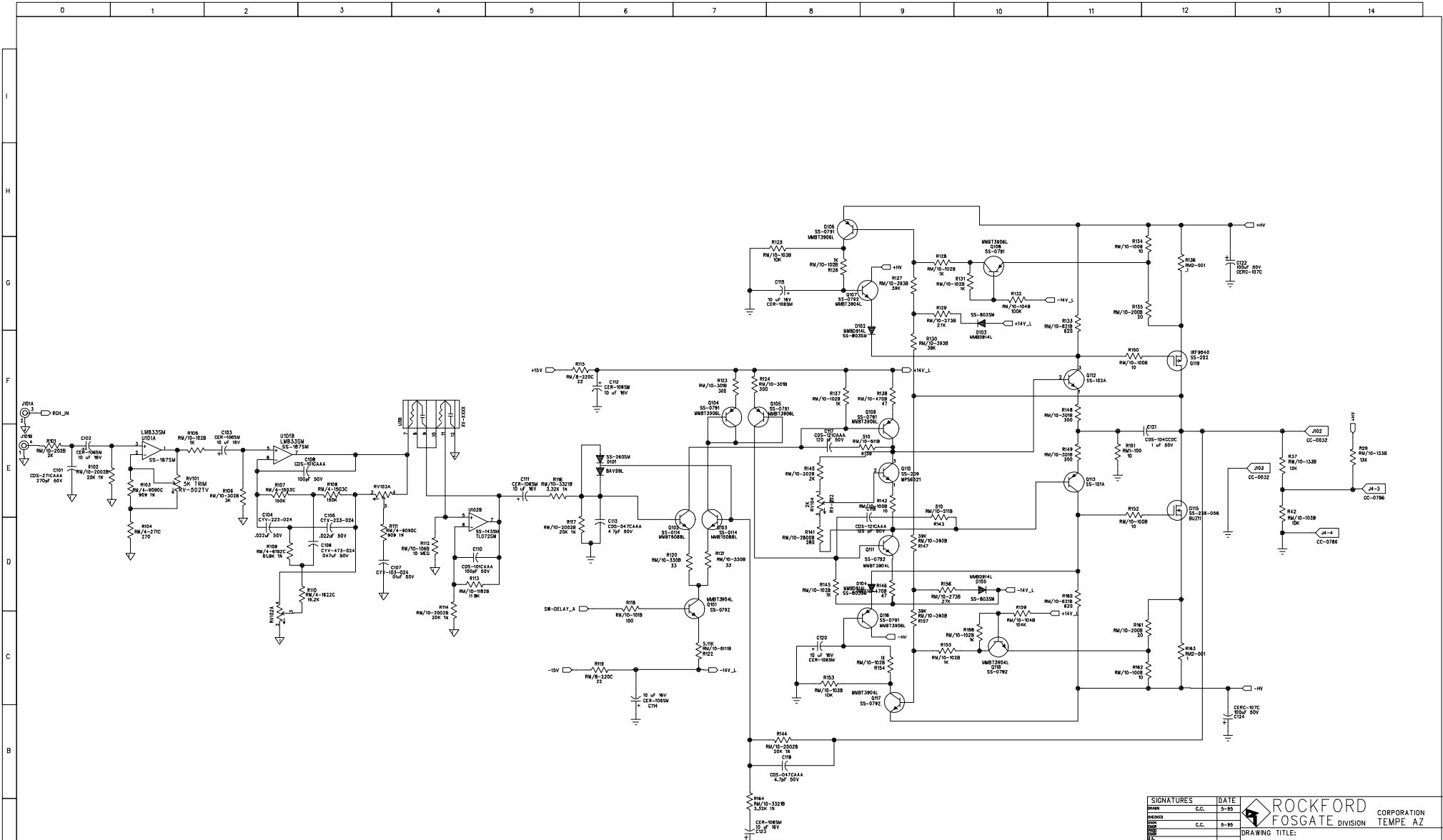


DRAWING REVISION RECORD					
ZONE	REV	PAGE	DESCRIPTION	DATE	APPROVED
A			ECO 3803 SCHEMATIC RELEASE FOR REV D PCB BOARD	9-85	HULLER



I
H
G
F
E
D
C
B
A

SIGNATURES		DATE	 ROCKFORD FOSGATE CORPORATION DIVISION TEMPE AZ
DESIGNED	C.L.	9-85	
DRAWN			
CHECKED	C.L.	9-85	
DATE			
DRAWING TITLE:			40IX SCHEMATIC
SIZE	FILE NAME:	DWG/PART NO:	REV
B	SCH0912D	SCH-0912D	A
SCALE:	DO NOT SCALE DRAWING	SHEET:	OF
1/1			

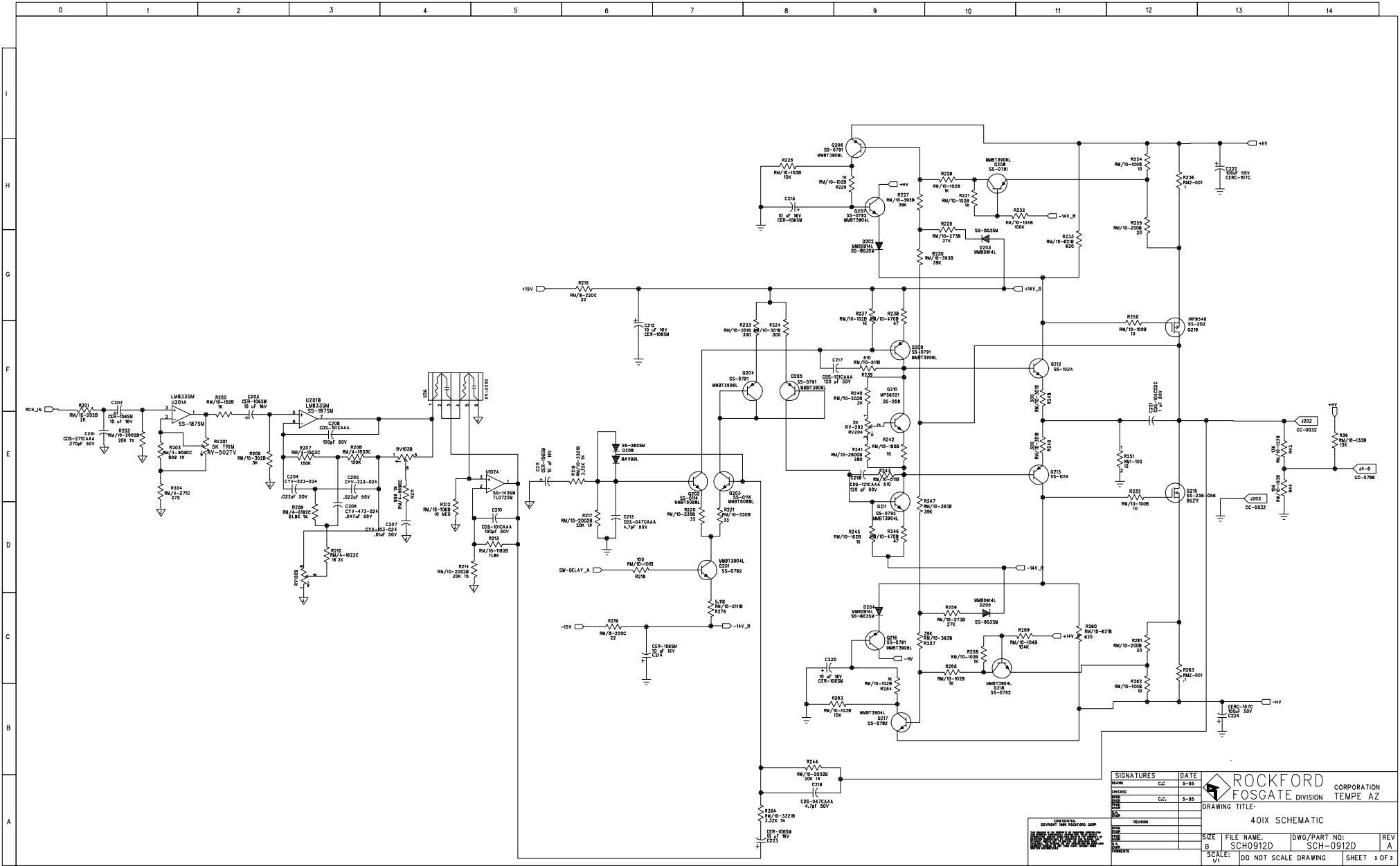


SIGNATURES		DATE	
DESIGNED	C.C.	5-35	
DRAWN			
CHECKED			
APP'D	C.C.	6-99	
DATE			

DRAWING TITLE:		4-DIX SCHEMATIC	
SIZE	FILE NAME:	DWG/PART NO:	REV
B	SCH0912D	SCH-0912D	A
SCALE:		SHEET 1 OF 1	
1/1		DO NOT SCALE DRAWING	



COMPANY: SCH0912D
 COMPANY: SCH0912D
 COMPANY: SCH0912D
 COMPANY: SCH0912D
 COMPANY: SCH0912D



SIGNATURES		DATE	 ROCKFORD FOSGATE CORPORATION TEMPE, AZ
DRWN	C.C.	5-85	
CHKD			
APPD			
DATE	C.C.	5-85	
DRAWING TITLE:			40IX SCHEMATIC
SIZE	FILE NAME:	DWG/PART NO:	REV
B	SCH0912D	SCH-0912D	A
SCALE:			3 OF 4
DO NOT SCALE DRAWING			