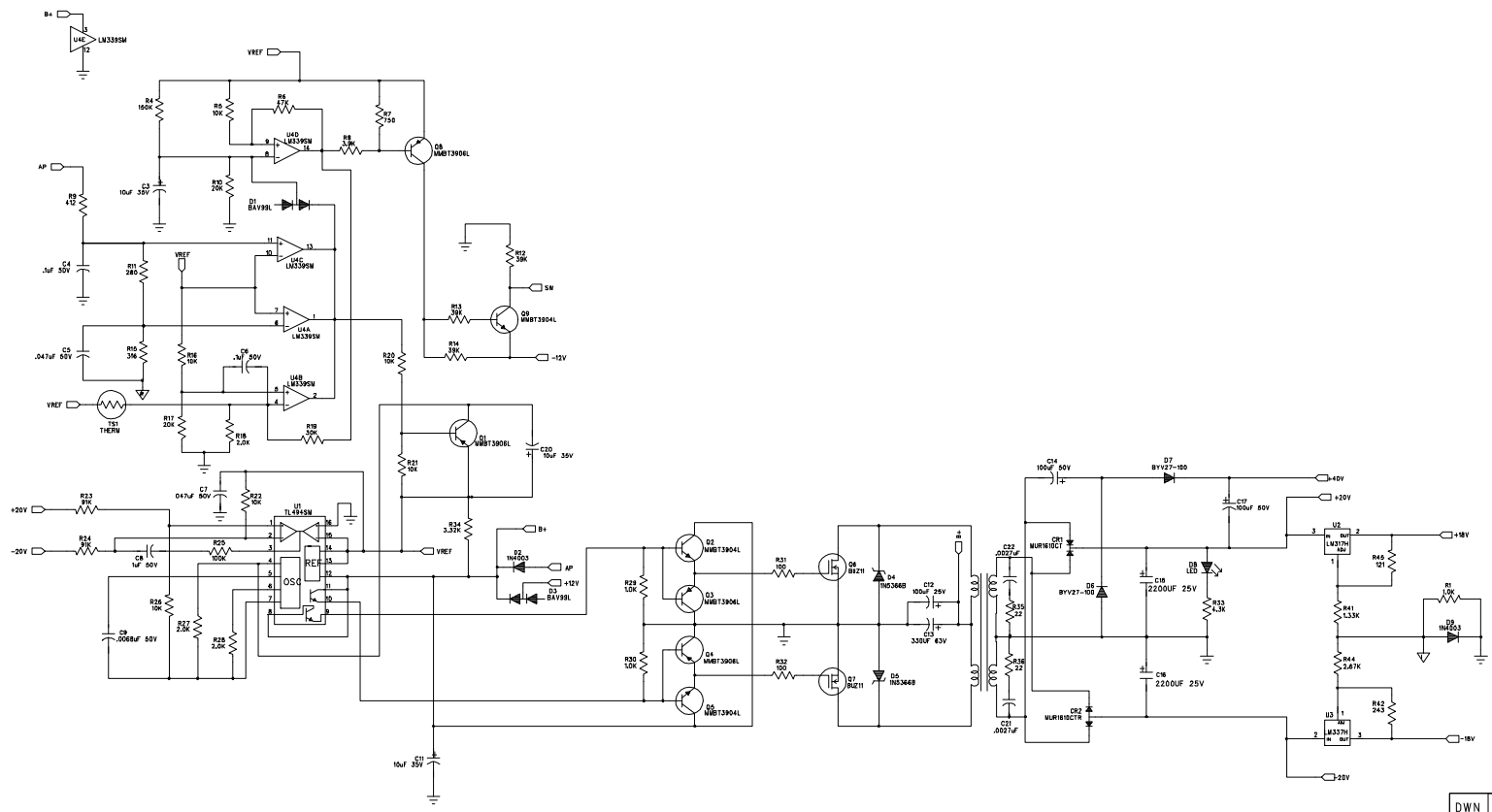

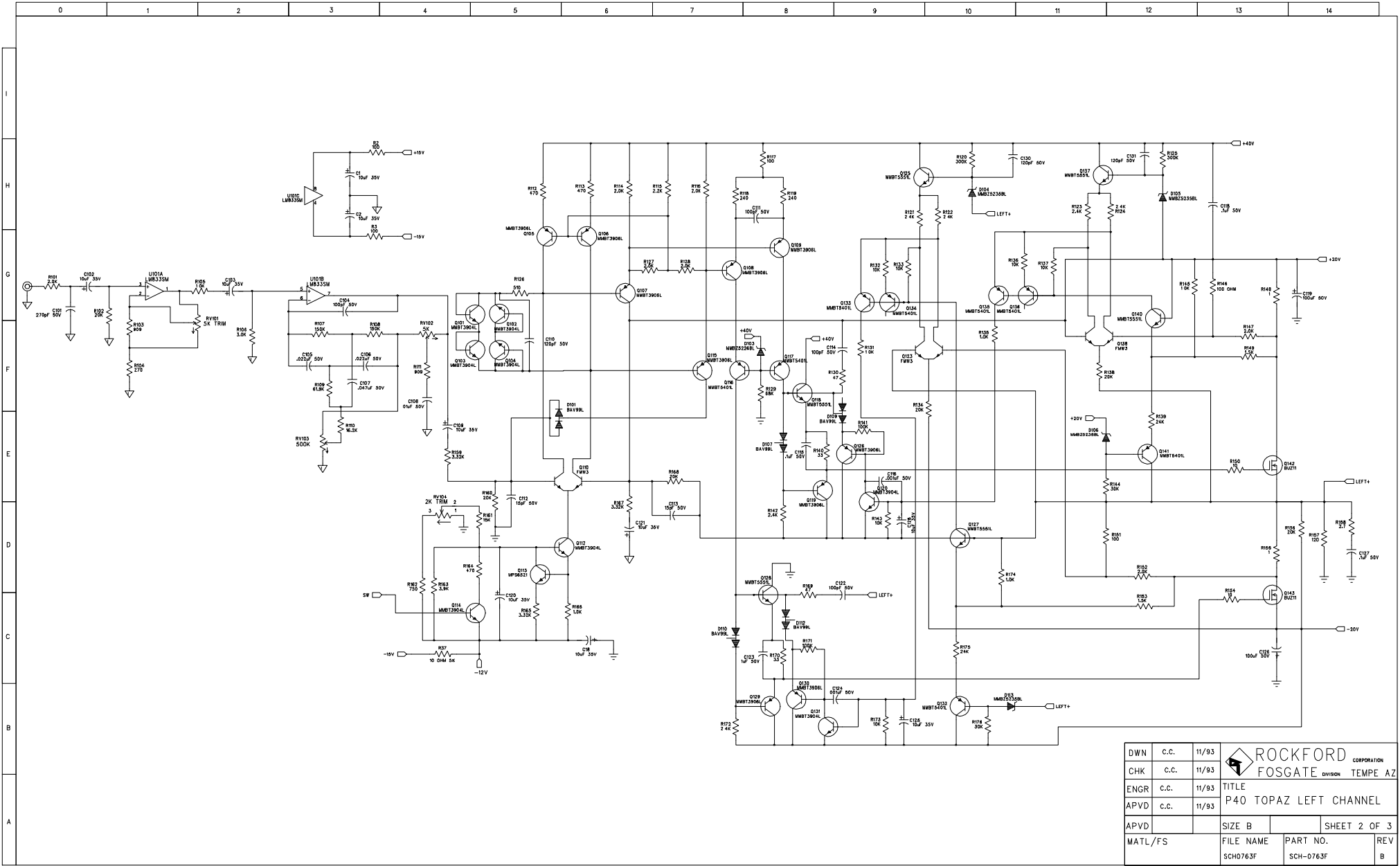



CORD	REV	13	14	DATE
	A	REVISION RECORD		
	B	PRODUCTION RELEASE		
		ECO 3702		

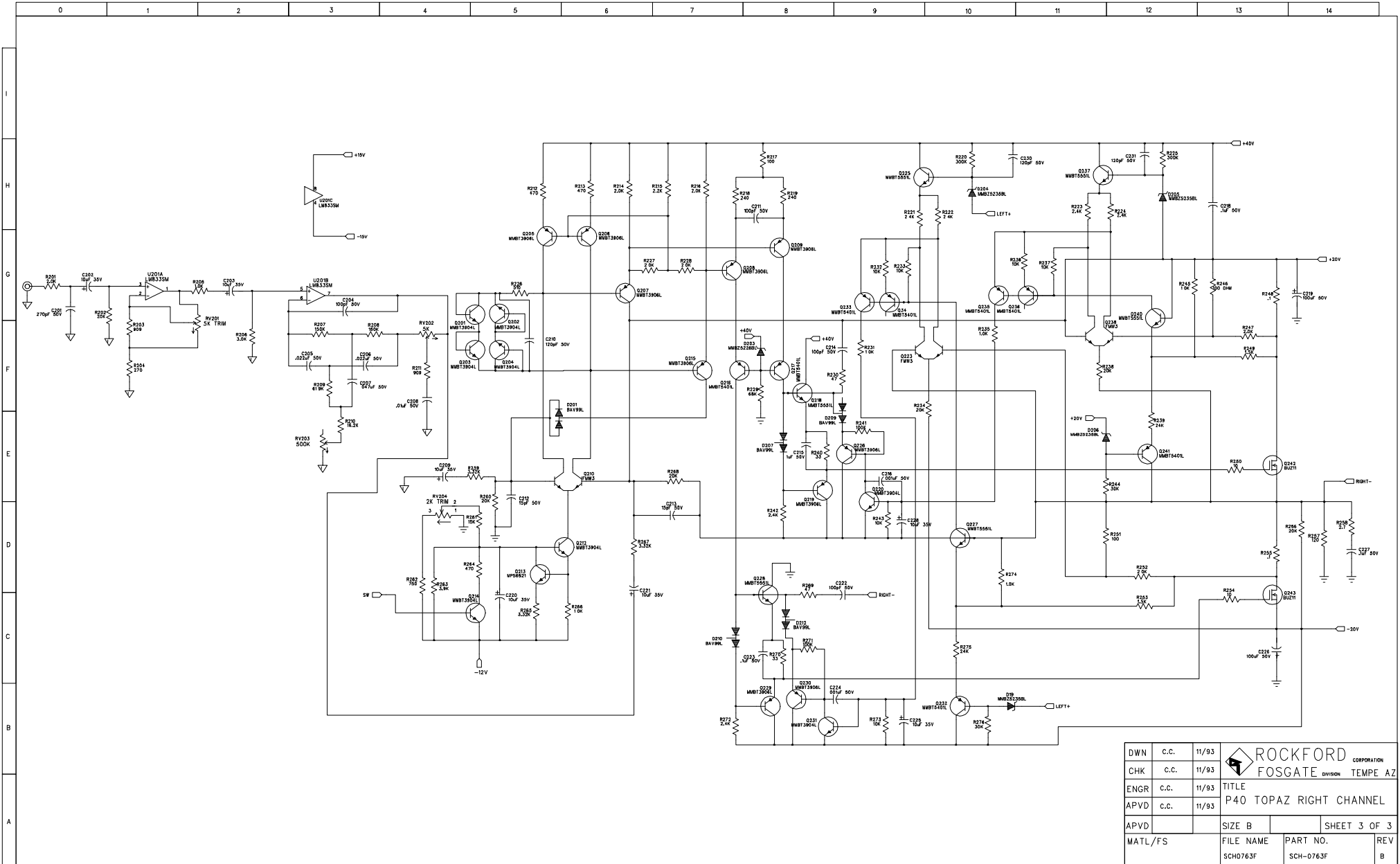
GER-106B HAS BEEN DELETED (10UF 35V)  
 REF DES 018  
 RM/10-101B (100 OHM 5%) HAS BEEN  
 REPLACED, REF DES R37  
 NEW PART # RM/10-100B (10 OHM 5%)  
 PER ECO 3702




DWN	c.c.	11/93	 <b>ROCKFORD</b> CORPORATION FOSGATE DIVISION	TEMPE AZ
CHK	c.c.	11/93		
ENGR	c.c.	11/93	TITLE	
APVD	c.c.	11/93	P40 TOPAZ POWER SUPPLY	
APVD			SIZE B	SHEET 1 OF 3
MATL/FS			FILE NAME SCH0763F	PART NO. SCH-0763F
				REV B



DWN	c.c.	11/93	 <b>ROCKFORD CORPORATION</b> FOSGATE DIVISION TEMPE AZ
CHK	c.c.	11/93	
ENGR	c.c.	11/93	
APVD	c.c.	11/93	TITLE P40 TOPAZ LEFT CHANNEL
APVD			SIZE B SHEET 2 OF 3
MATL/FS			FILE NAME PART NO. REV SCH0763F SCH-0763F



DWN	c.c.	11/93	 <b>ROCKFORD</b> CORPORATION FOSGATE DIVISION TEMPE AZ
CHK	c.c.	11/93	
ENGR	c.c.	11/93	
APVD	c.c.	11/93	
APVD			
TITLE			SHEET 3 OF 3
P40 TOPAZ RIGHT CHANNEL			
MATL/FS	FILE NAME	PART NO.	REV
	SCH-0763F	SCH-0763F	