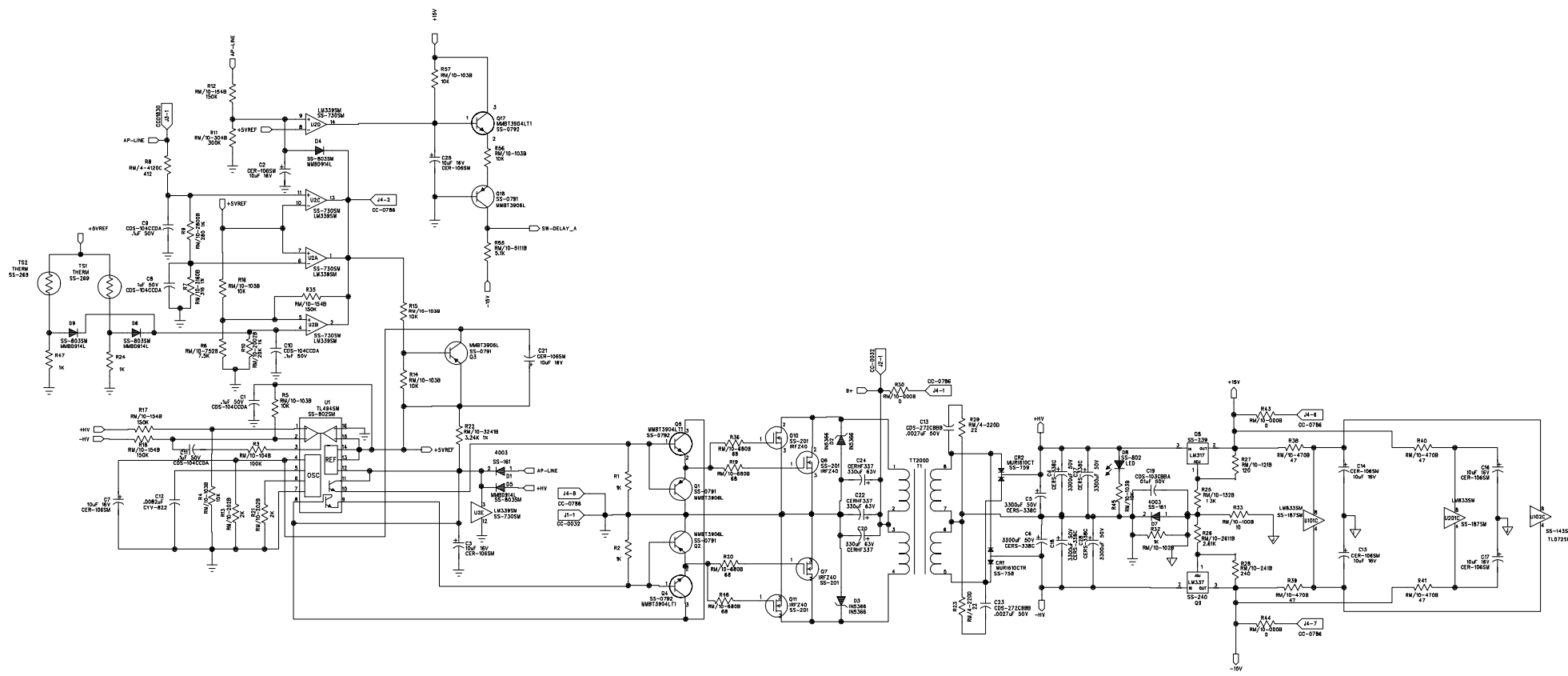


| DRAWING REVISION RECORD | | | | DATE | APPROVED |
|-------------------------|-----|------|--|------|-----------|
| ZONE | REV | PAGE | DESCRIPTION | | |
| A | | | ECO 3873 RELEASE SS-0847-004 (07/24/4) REF QLS RM QZ SS-150-000 NEW PART # SS-200-004 (07/24/4) | 8-85 | H. MILLER |



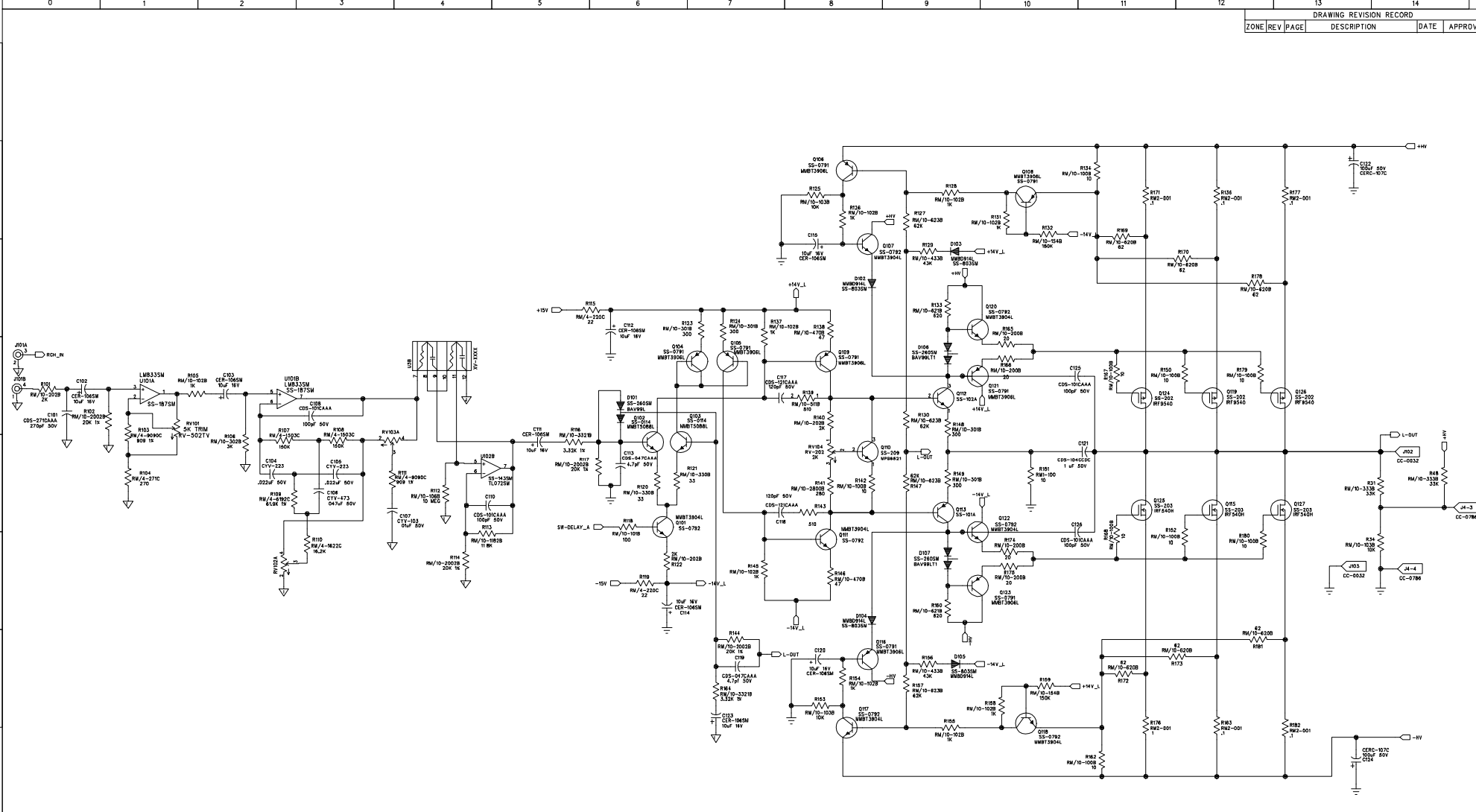
| SIGNATURES | | DATE |
|------------|--------------|---------|
| DESIGNED | E. CASTREJON | 3/22/99 |
| DRAWN | E. CASTREJON | 3/22/99 |
| CHECKED | | |
| APPROVED | | |

ROCKFORD FOSGATE CORPORATION
 DIVISION TEMPE AZ

DRAWING TITLE: PUNCH 200ix POWER SUPPLY

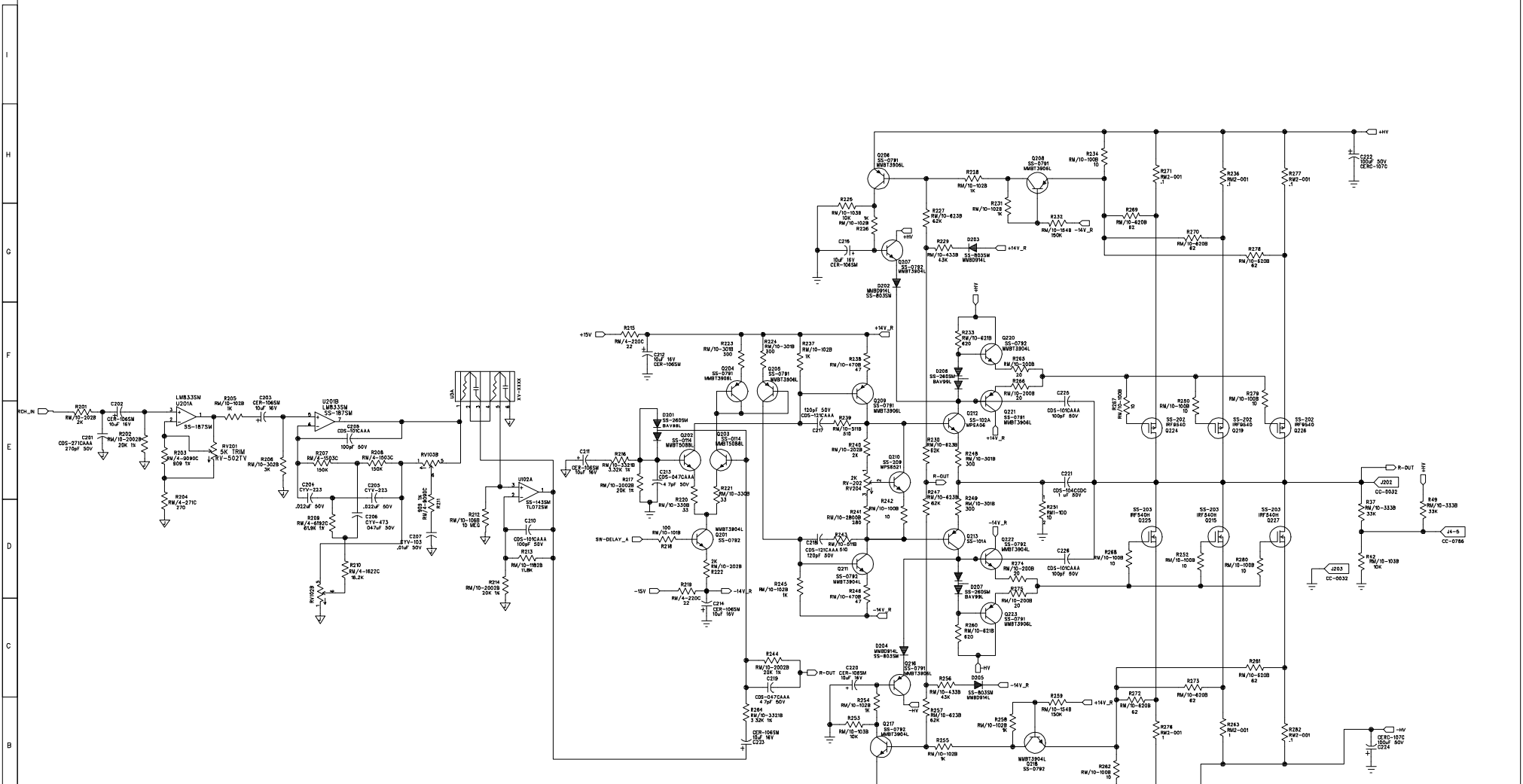
SCALE: 1/1
 FILE NAME: SCH08978
 DWG/PART NO: SCH-0897-8
 REV: A
 SHEET 1 OF 1

CHANGES
 1. REVISED TO ADD 1000PFD CAP
 2. REVISED TO ADD 1000PFD CAP
 3. REVISED TO ADD 1000PFD CAP
 4. REVISED TO ADD 1000PFD CAP
 5. REVISED TO ADD 1000PFD CAP



| | | | |
|----------------|-----------|----------------------|--|
| SIGNATURES | | DATE | ROCKFORD FOSGATE CORPORATION TEMPE AZ |
| DESIGN | C. CASTRO | 3/2/98 | |
| DRAWN | C. CASTRO | 3/2/98 | |
| REVIEW | | | |
| DRAWING TITLE: | | | P200ix LEFT CHANNEL |
| SCALE: | 1/1 | DO NOT SCALE DRAWING | |
| FILE NAME: | SCH08978 | DWG/PART NO: | REV A |
| SCALE: | 1/1 | DO NOT SCALE DRAWING | SHEET 2 OF 2 |

COMMENTS:
 COMMENT #1: 1000P500 COMP
 COMMENT #2: 1000P500 COMP
 COMMENT #3: 1000P500 COMP
 COMMENT #4: 1000P500 COMP



| | | | |
|----------------|-------------|----------------------|---|
| SIGNATURES | | DATE | ROCKFORD FOSGATE CORPORATION DIVISION TEMPE AZ |
| DESIGNED | C CASTREJON | 3/2/99 | |
| DRAWN | C CASTREJON | 3/2/99 | |
| CHECKED | | | |
| APPROVED | | | |
| DRAWING TITLE: | | | P200ix RIGHT CHANNEL |
| SCALE: | 1/1 | DO NOT SCALE DRAWING | |
| FILE NAME: | 50H0978 | DWG/PART NO: | REV |
| | | 50H-0993-B | A |
| SHEET 7 | | OF 9 | |