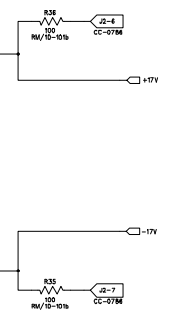
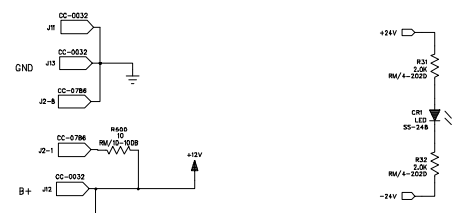
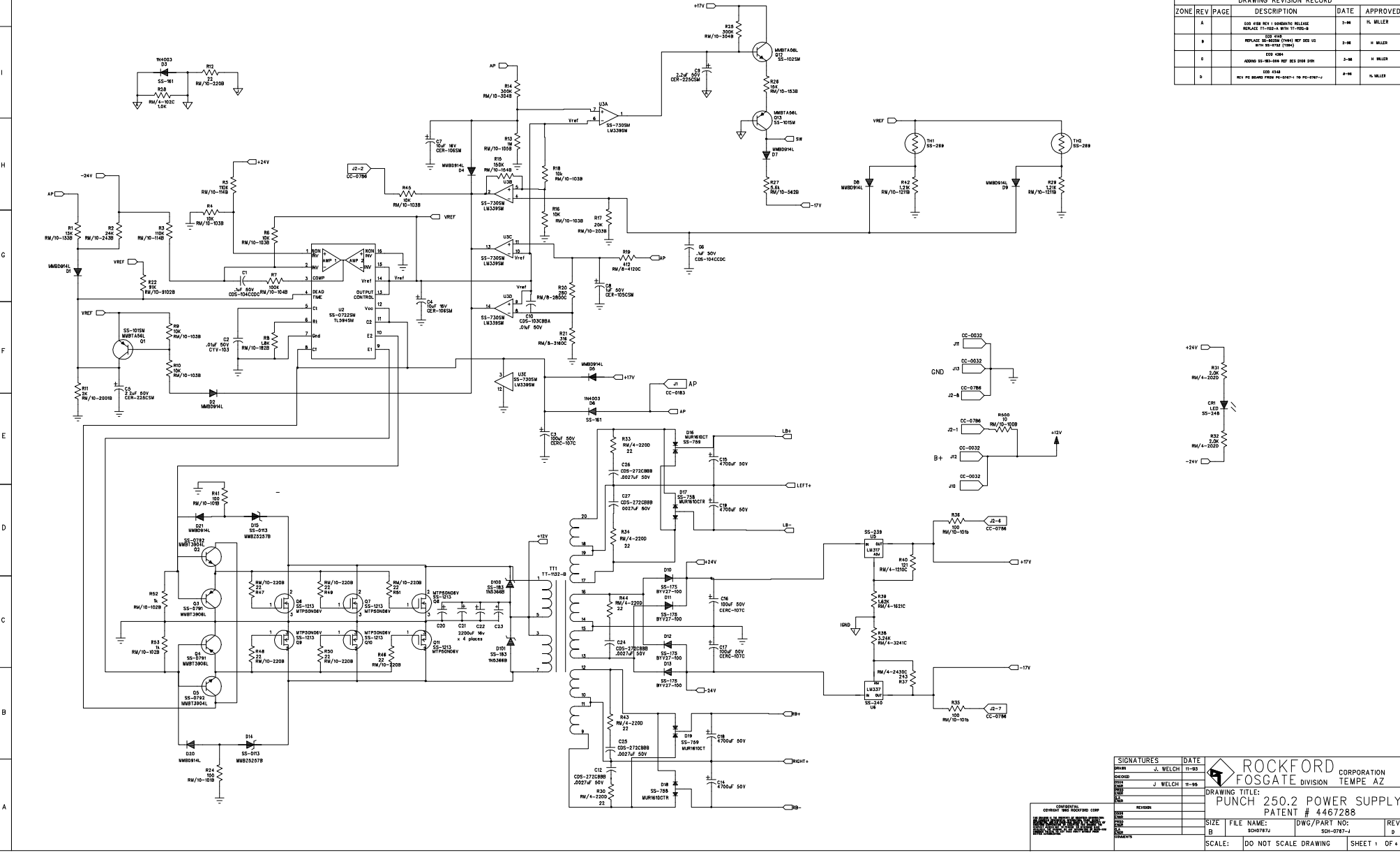


0 1 2 3 4 5 6 7 8 9 10 11 12 13 14

DRAWING REVISION RECORD					
ZONE	REV	PAGE	DESCRIPTION	DATE	APPROVED
A			COO 438 REV 1 BOMBARDIER RELEASE REPLACE T1-102-B WITH T1-103-B	7-94	N. MILLER
B			COO 438 REPLACE SS-102-004 (1444) REF DES 013 WITH SS-102-010 (1444)	7-94	N. MILLER
C			COO 438 ADDING SS-103-004 REF DES 018 019	7-94	N. MILLER
D			REV FOR BOARD FROM REV 01-007-1 TO REV 01-007-2	8-94	N. MILLER



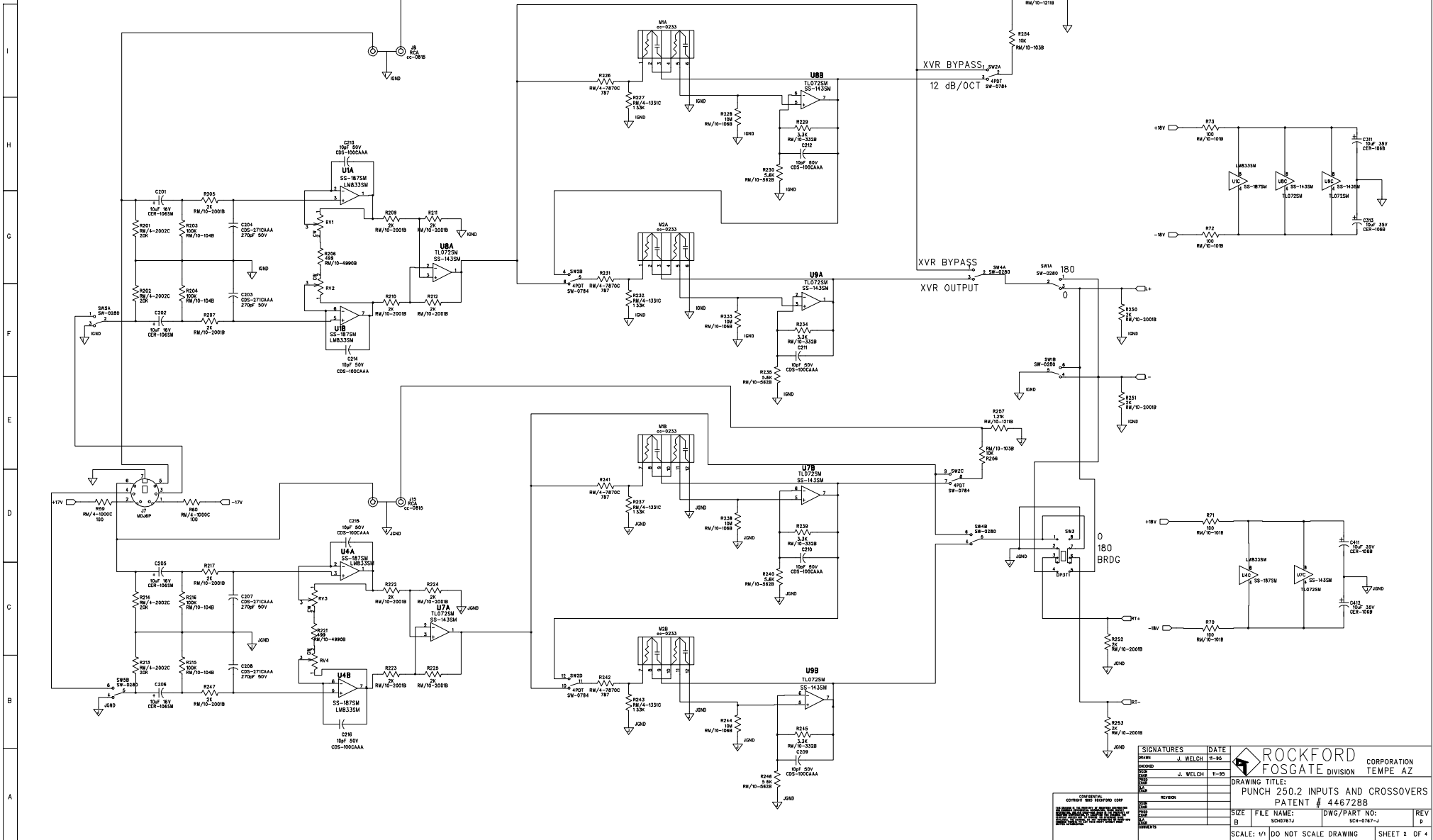
SIGNATURES		DATE
DESIGNED BY	J. WELCH	11-85
DRAWN BY	J. WELCH	11-85
CHECKED BY		
APPROVED BY		

ROCKFORD CORPORATION
 FOSGATE DIVISION TEMPE AZ
 DRAWING TITLE:
PUNCH 250.2 POWER SUPPLY
 PATENT # 4467288

SIZE	FILE NAME:	DWG/PART NO:	REV
B	SCH0787J	SH-0787-J	0

SCALE: DO NOT SCALE DRAWING SHEET 1 OF 4

DRAWING REVISION RECORD					
ZONE	REV	PAGE	DESCRIPTION	DATE	APPROVED



SIGNATURES		DATE
DESIGNED BY	J. WELCH	11-95
CHECKED BY	J. WELCH	11-95
DATE		

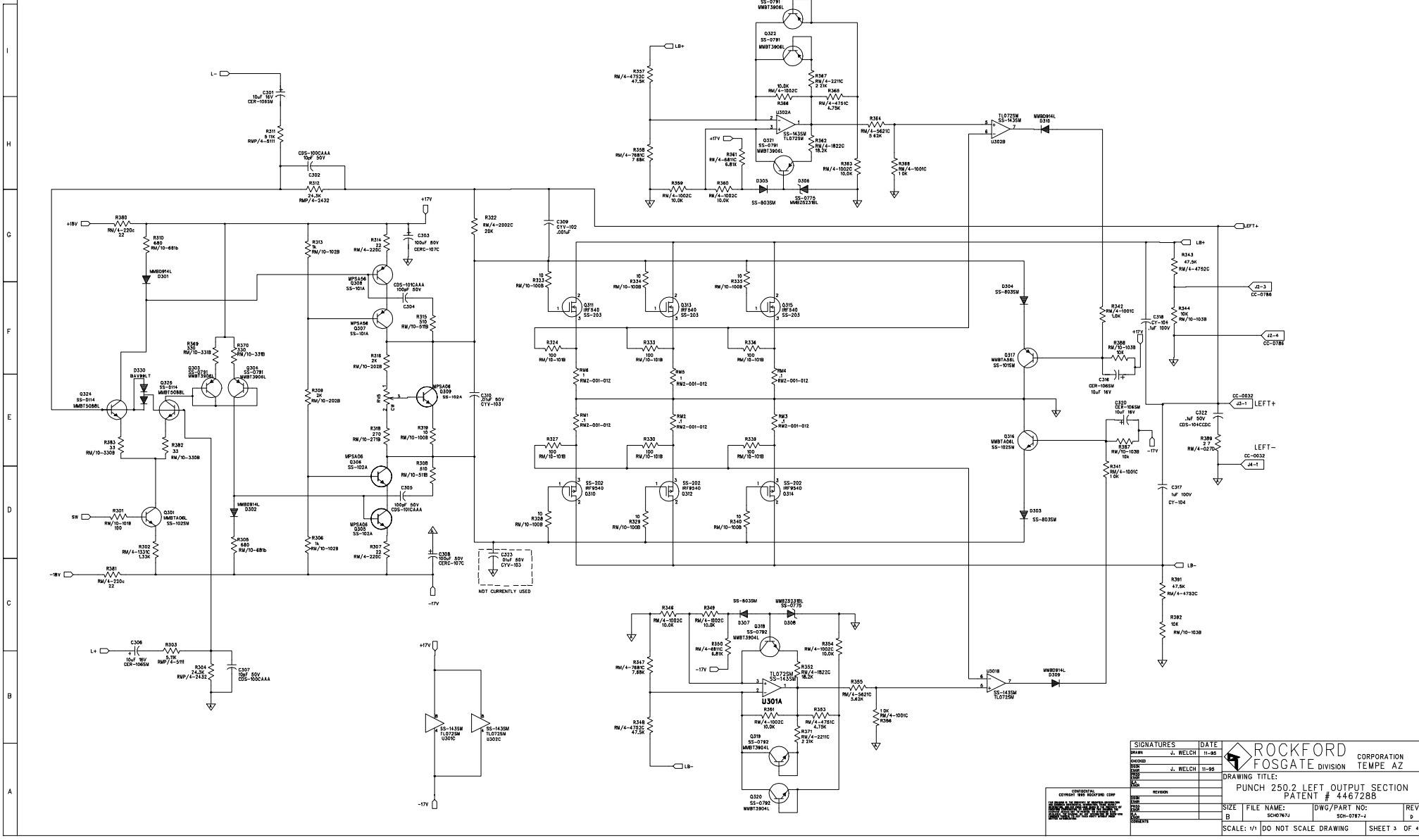
ROCKFORD FOSGATE CORPORATION
 TEMPE AZ

DRAWING TITLE:
PUNCH 250.2 INPUTS AND CROSSOVERS
 PATENT # 4467288

SIZE	FILE NAME:	DWG/PART NO.:	REV
B	SCH6781.v	SCH-0167-J	0

SCALE: 1/1 DO NOT SCALE DRAWING SHEET 2 OF 4

DRAWING REVISION RECORD			
ZONE	REV	PAGE	DESCRIPTION
			DATE
			APPROVED



SIGNATURES		DATE
DESIGNED BY	J. WELCH	11-85
DRAWN BY	J. WELCH	11-85
CHECKED BY		
APPROVED BY		

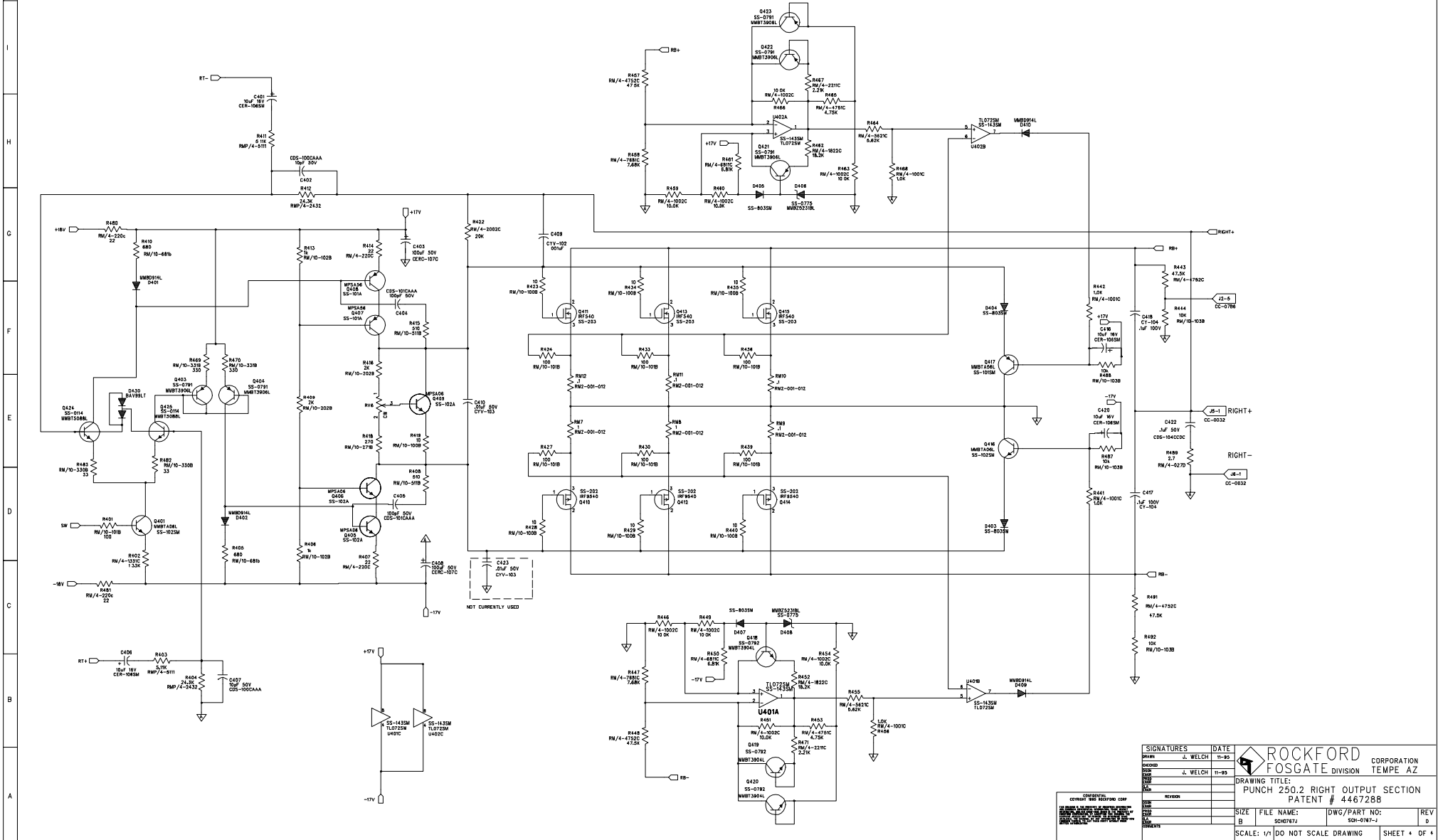
ROCKFORD CORPORATION
FOSGATE DIVISION TEMPE AZ

DRAWING TITLE:
PUNCH 250.2 LEFT OUTPUT SECTION
PATENT # 4467288

SIZE	FILE NAME:	DWG/PART NO.:	REV
B	SCM0767J	SCM-0767-1	0

SCALE: 1/1 DO NOT SCALE DRAWING SHEET 3 OF 4

DRAWING REVISION RECORD			
ZONE	REV	PAGE	APPROVED



SIGNATURES		DATE	 ROCKFORD CORPORATION FOSGATE DIVISION TEMPE AZ
DESIGNED BY	J. WELCH	11-85	
DRAWN BY	J. WELCH	11-85	
CHECKED BY			
APPROVED BY			
DATE			
SCALE			

DRAWING TITLE:
PUNCH 250.2 RIGHT OUTPUT SECTION
 PATENT # 4467288

SIZE	FILE NAME:	DWG/PART NO:	REV
B	sch287z	sch-017-1	0

SCALE: 1/1 DO NOT SCALE DRAWING SHEET 4 OF 4