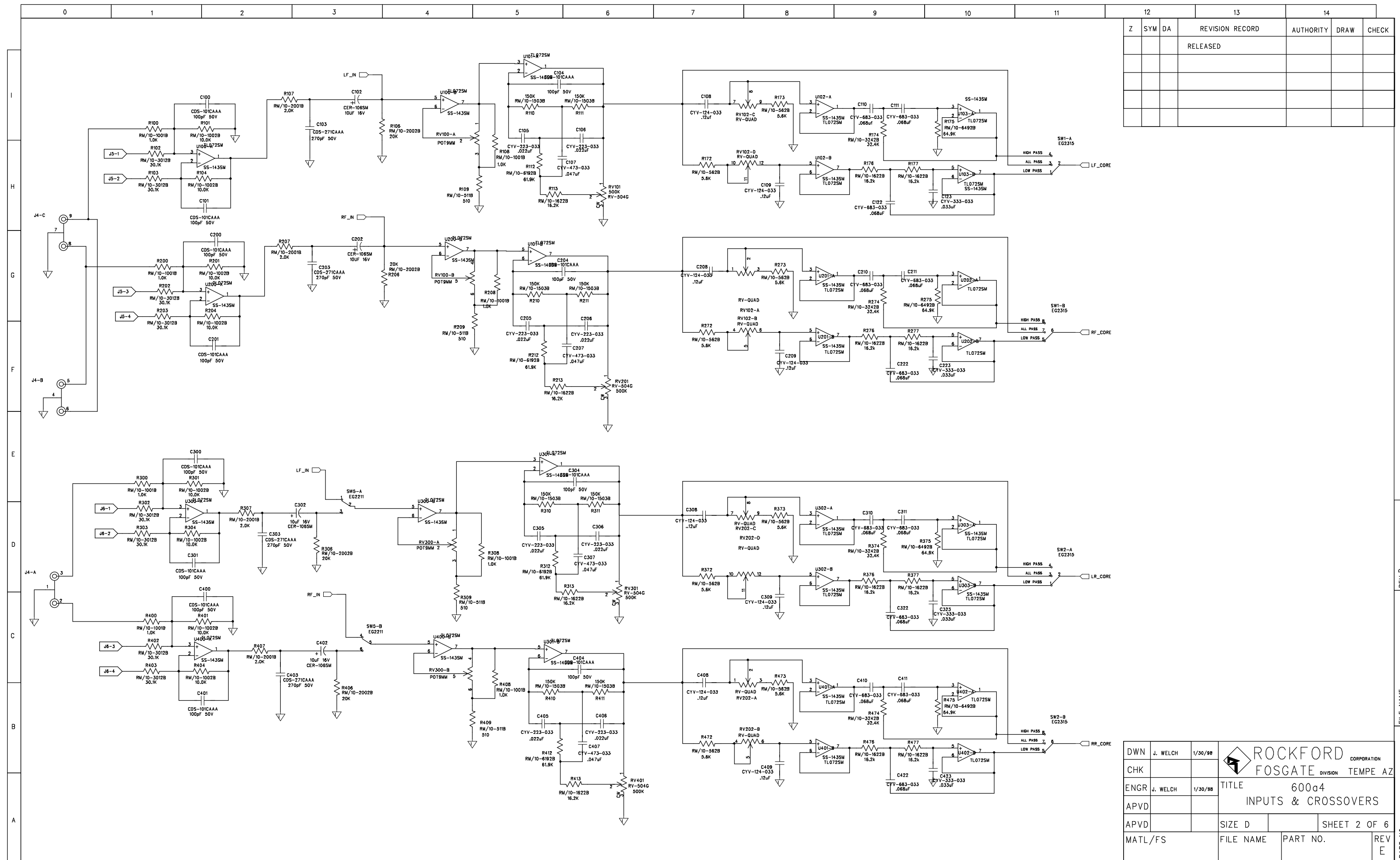


Z	SYM	DA	REVISION RECORD	AUTHORITY	DRAW	CHECK
			RELEASED			

DWN	J. WELCH	1/30/98	ROCKFORD FOSGATE CORPORATION DIVISION TEMPE AZ
CHK			
ENGR	J. WELCH	1/30/98	TITLE
APVD			600a4 POWER SUPPLY
APVD			SIZE D
MATL/FS			SHEET 1 OF 6
			FILE NAME
			PART NO.
			REV E

REV FILE NAME PART NO.

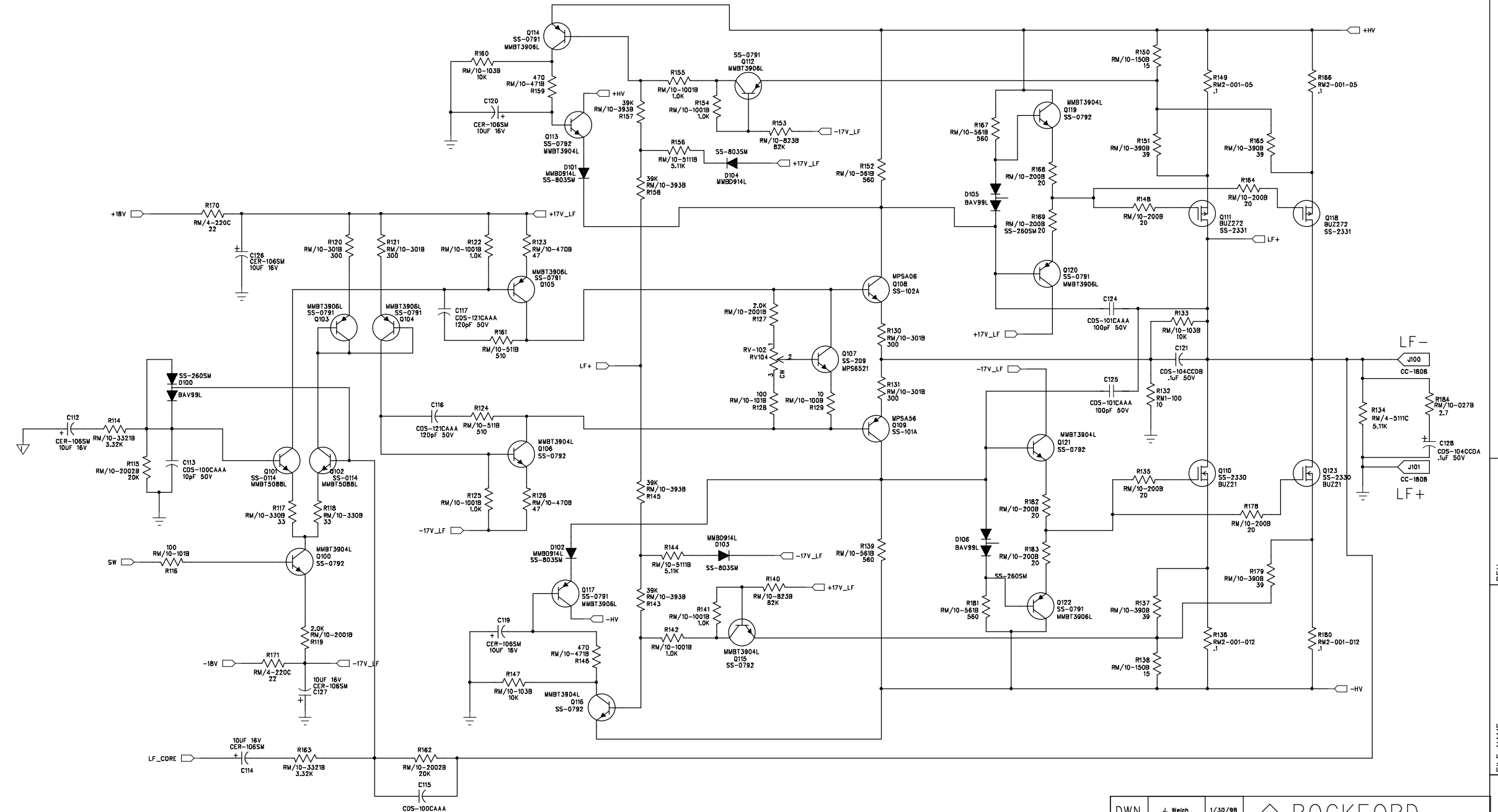


Z	SYM	DA	REVISION RECORD	AUTHORITY	DRAW	CHECK
			RELEASED			

DWN	J. WELCH	1/30/98	ROCKFORD FOSGATE CORPORATION DIVISION TEMPE AZ		
CHK					
ENGR	J. WELCH	1/30/98	TITLE 600a4		
APVD			INPUTS & CROSSOVERS		
APVD			SIZE D	SHEET 2 OF 6	
MATL/FS			FILE NAME	PART NO.	REV E

FILE NAME REV D

Z	SYM	DA	REVISION RECORD	AUTHORITY	DRAW	CHECK
			RELEASED			

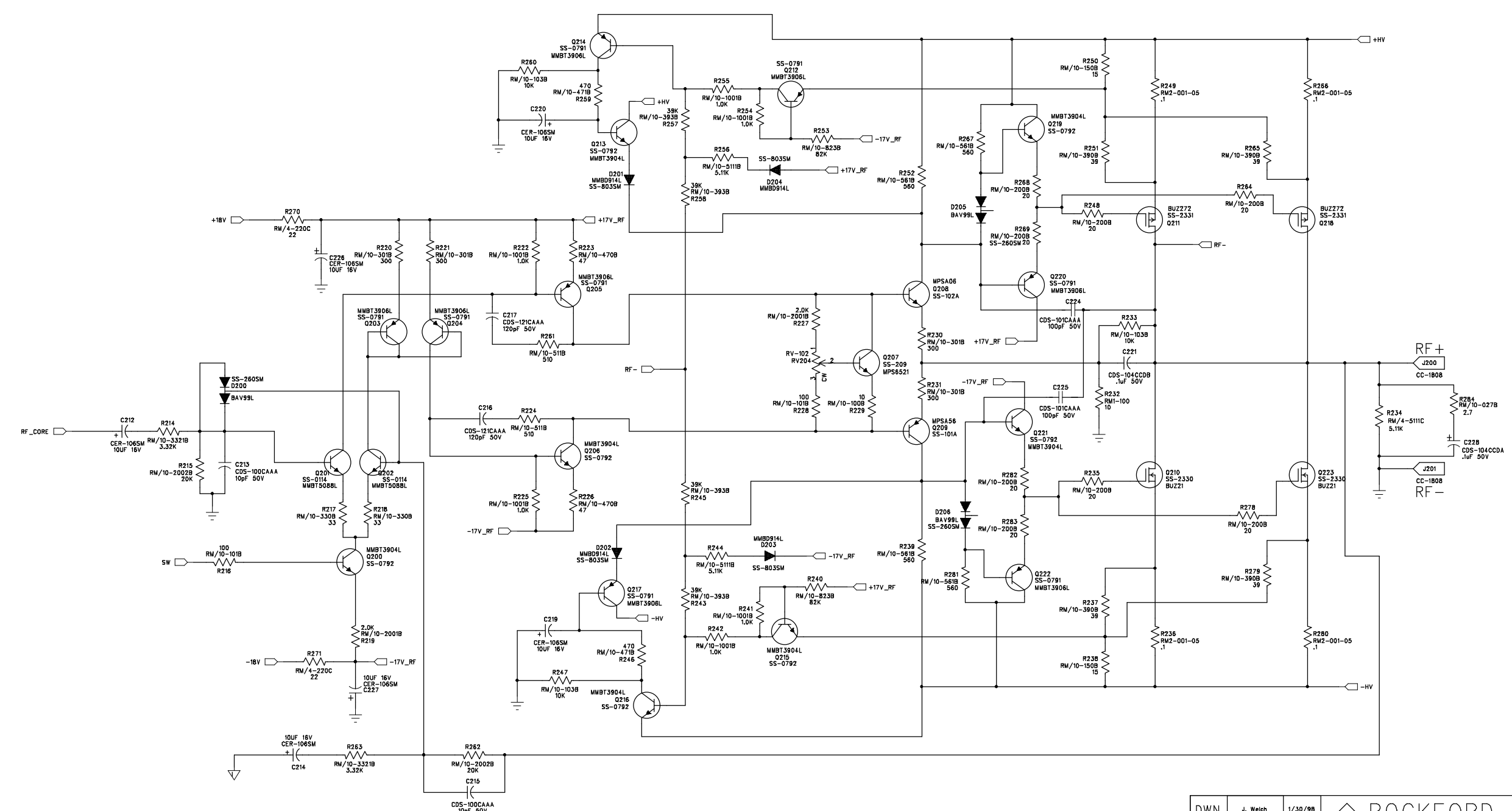


DWN	J. Welch	1/30/98	 ROCKFORD CORPORATION FOSGATE DIVISION TEMPE AZ
CHK			
ENGR	J. Welch	1/30/98	TITLE
APVD			600a4 LEFT FRONT OUTPUT
APVD			SIZE D
MATL/FS			SHEET 3 OF 6
	FILE NAME	PART NO.	REV
			E

I
H
G
F
E
D
C
B
A

REV
FILE NAME
PART NO.

Z	SYM	DA	REVISION RECORD	AUTHORITY	DRAW	CHECK
			RELEASED			

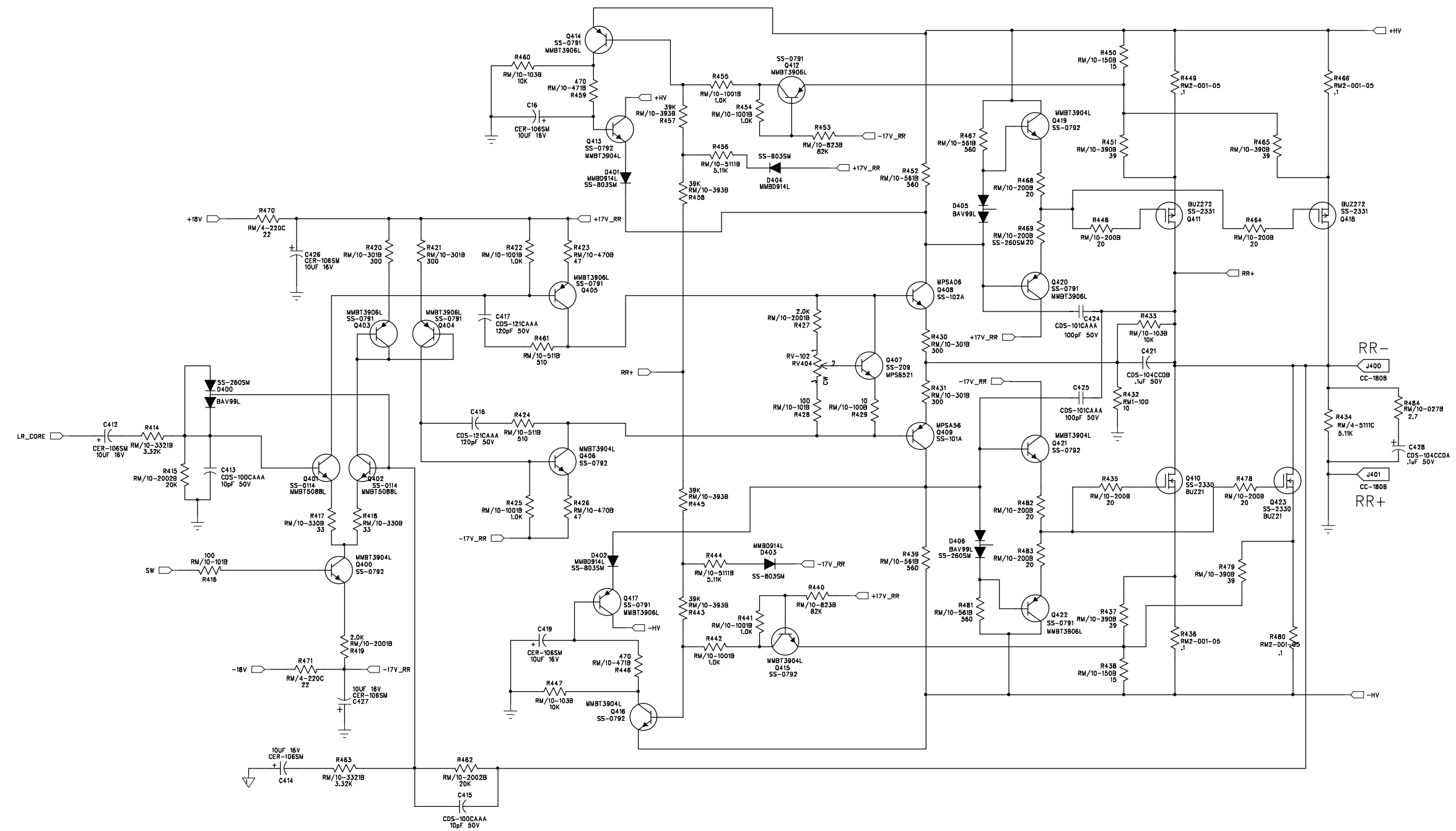


DWN	J. Welch	1/30/98	ROCKFORD CORPORATION FOSGATE DIVISION TEMPE AZ
CHK			
ENGR	J. Welch	1/30/98	TITLE
APVD			600a4 RIGHT FRONT OUTPUT
APVD			SIZE D
MATL/FS			SHEET 4 OF 6
	FILE NAME	PART NO.	REV
			E

I
H
G
F
E
D
C
B
A

REV
FILE NAME
PART NO.

DRAWING REVISION RECORD					
ZONE	REV	PAGE	DESCRIPTION	DATE	APPROVED



SIGNATURES		DATE
DRAWN	J. Welch	1/30/98
CHECKED		
DESIGN		
PROJ		
Q.A.		
ESOP		
REVISION		

DRAWING TITLE:		600a4	
		RIGHT REAR OUTPUT	
SIZE	FILE NAME:	DWG/PART NO:	REV
B		PAGE 6 OF 6	E
SCALE:	DO NOT SCALE DRAWING	SHEET	OF

CONFIDENTIAL
 COPYRIGHT 1998 ROCKFORD CORP
 ALL RIGHTS RESERVED
 THIS DRAWING IS THE PROPERTY OF ROCKFORD CORPORATION
 AND IS NOT TO BE REPRODUCED OR TRANSMITTED IN ANY FORM
 WITHOUT PERMISSION