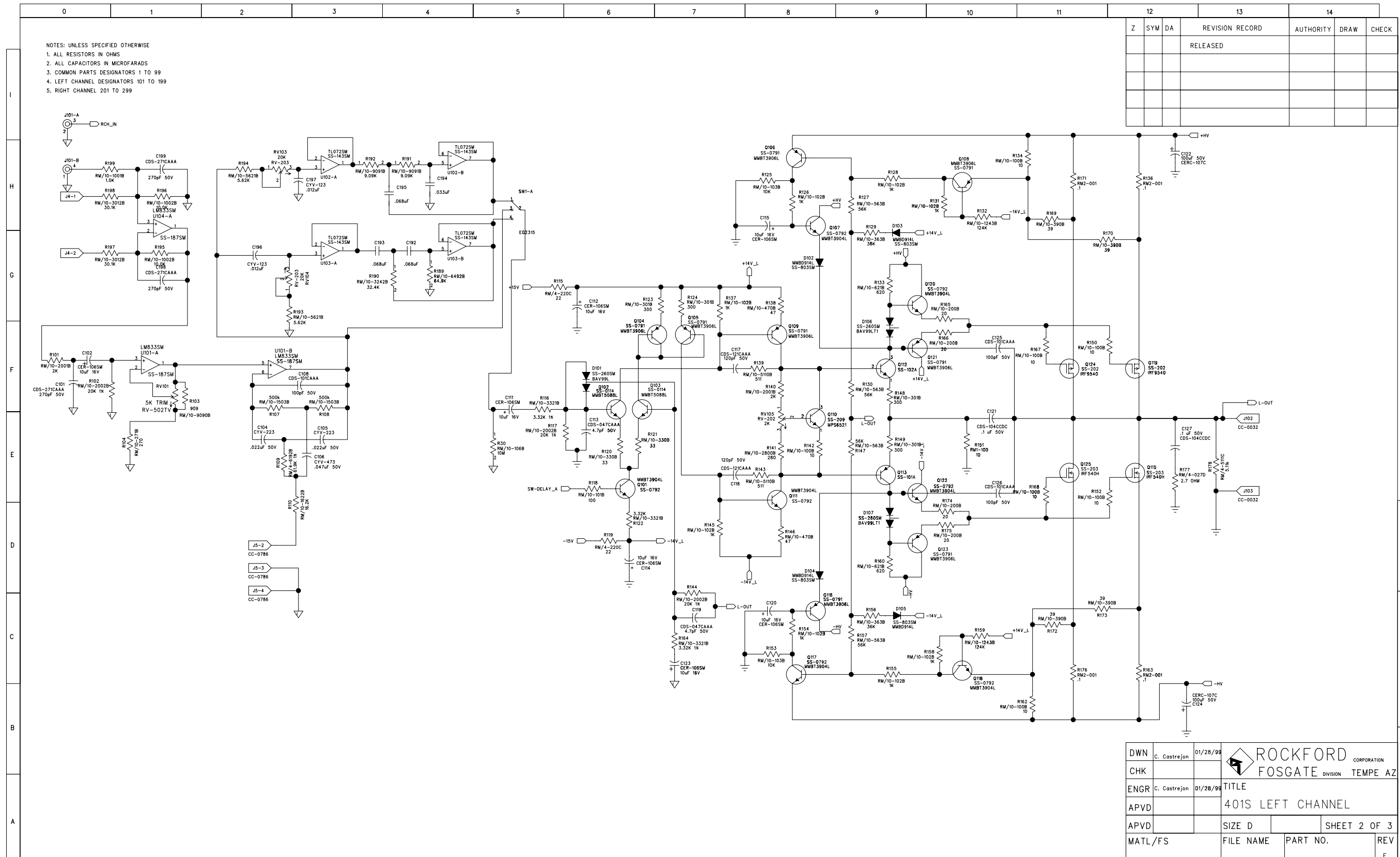


Z	SYM	DA	REVISION RECORD	AUTHORITY	DRAW	CHECK
			RELEASED			

DWN	C. Castrejon	01/28/99	ROCKFORD FOSGATE CORPORATION DIVISION TEMPE AZ		
CHK					
ENGR	C. Castrejon	01/28/99	TITLE		
APVD			401S POWER SUPPLY		
APVD			SIZE	SCALE	SHEET 1 OF 3
MATL/FS			FILE NAME	PART NO.	REV E

PART NO. REV FILE NAME



- NOTES: UNLESS SPECIFIED OTHERWISE
 1. ALL RESISTORS IN OHMS
 2. ALL CAPACITORS IN MICROFARADS
 3. COMMON PARTS DESIGNATORS 1 TO 99
 4. LEFT CHANNEL DESIGNATORS 101 TO 199
 5. RIGHT CHANNEL 201 TO 299

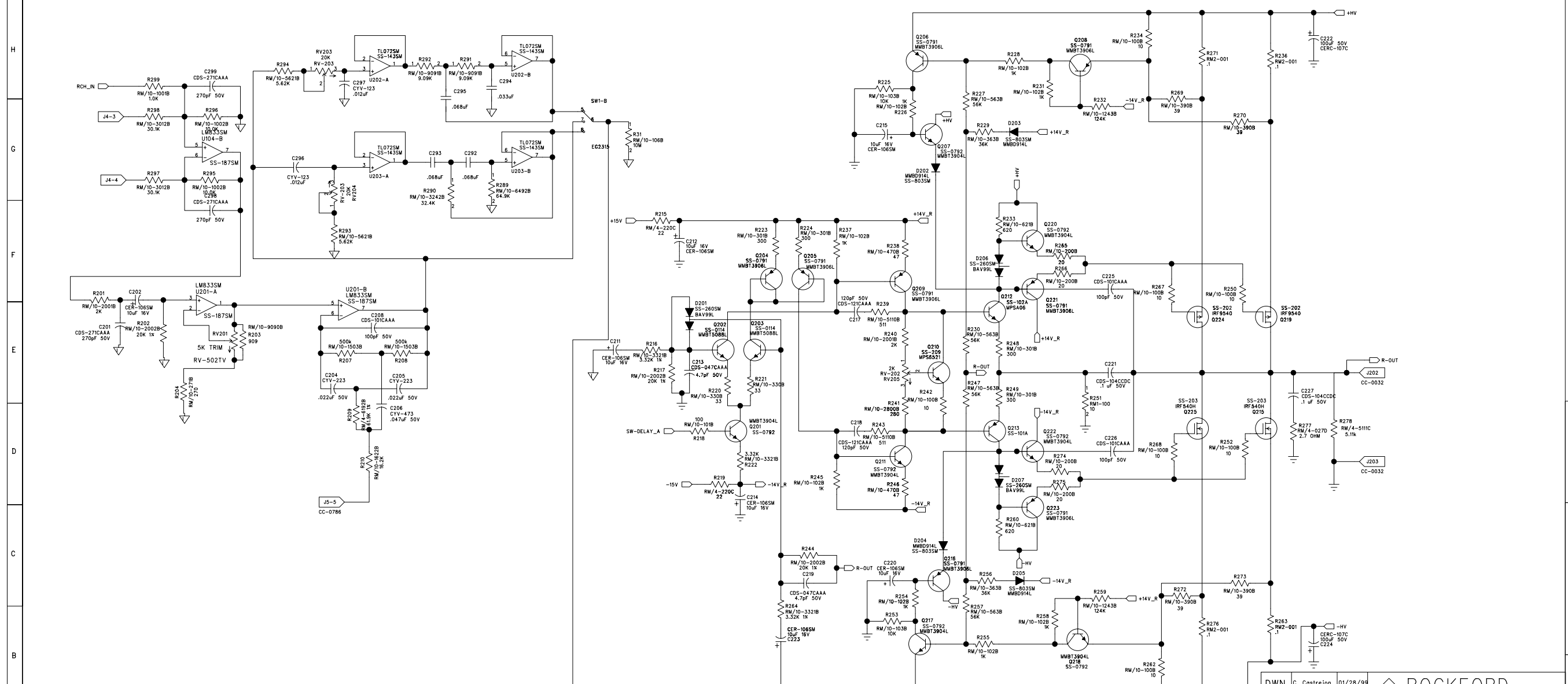
Z	SYM	DA	REVISION RECORD	AUTHORITY	DRAW	CHECK
			RELEASED			

DWN	C. Castrejon	01/28/99	ROCKFORD FOSGATE CORPORATION DIVISION TEMPE AZ
CHK			
ENGR	C. Castrejon	01/28/99	TITLE
APVD			401S LEFT CHANNEL
APVD			SIZE D
MATL/FS			SHEET 2 OF 3
			FILE NAME
			PART NO.
			REV E

REV B FILE NAME PART NO.

0	1	2	3	4	5	6	7	8	9	10	11	12	13	14				
												Z	SYM	DA	REVISION RECORD	AUTHORITY	DRAW	CHECK

NOTES: UNLESS SPECIFIED OTHERWISE
 1. ALL RESISTORS IN OHMS
 2. ALL CAPACITORS IN MICROFARADS
 3. COMMON PARTS DESIGNATORS 1 TO 99
 4. LEFT CHANNEL DESIGNATORS 101 TO 199
 5. RIGHT CHANNEL 201 TO 299



DWN	C. Castrejon	01/28/99	ROCKFORD FOSGATE CORPORATION DIVISION TEMPE AZ
CHK			
ENGR	C. Castrejon	01/28/99	TITLE
APVD			401S RIGHT CHANNEL
APVD			SIZE D
MATL/FS			SHEET 3 OF 3
	FILE NAME	PART NO.	REV
			E

REV B FILE NAME PART NO.