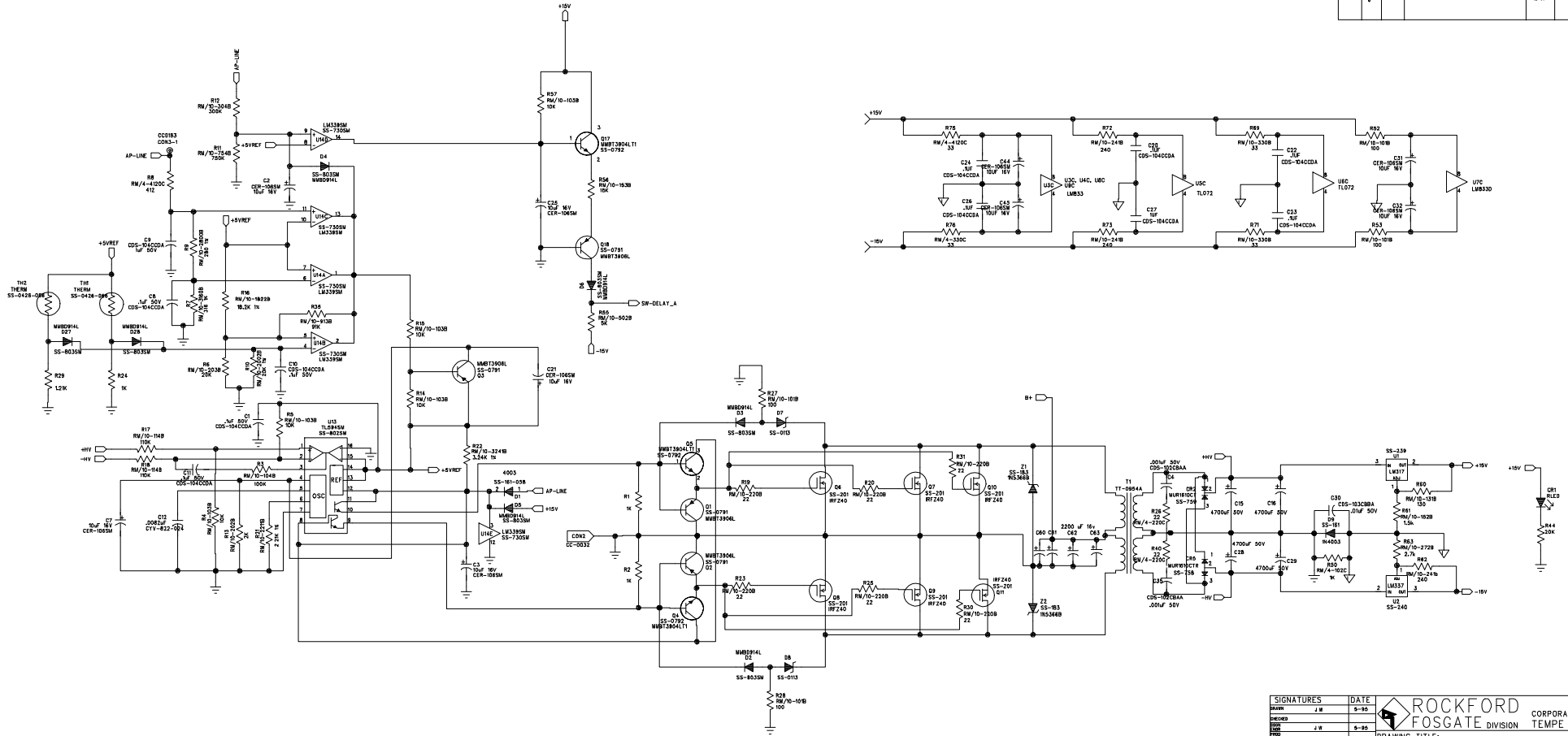
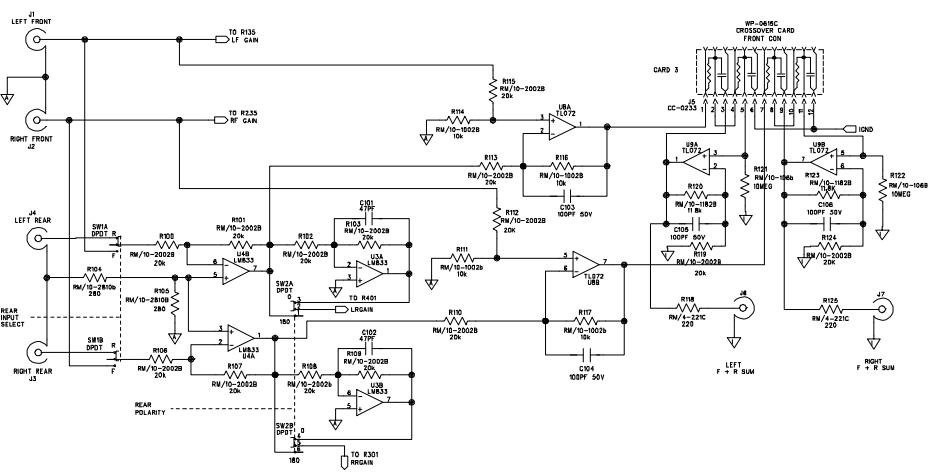
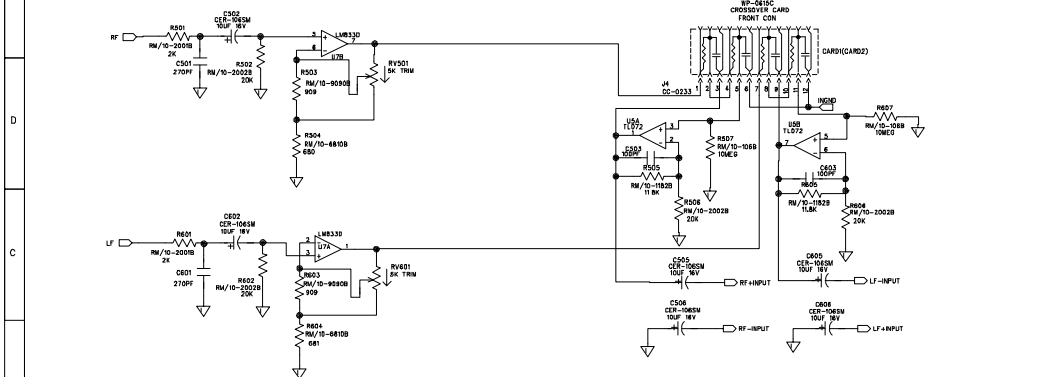
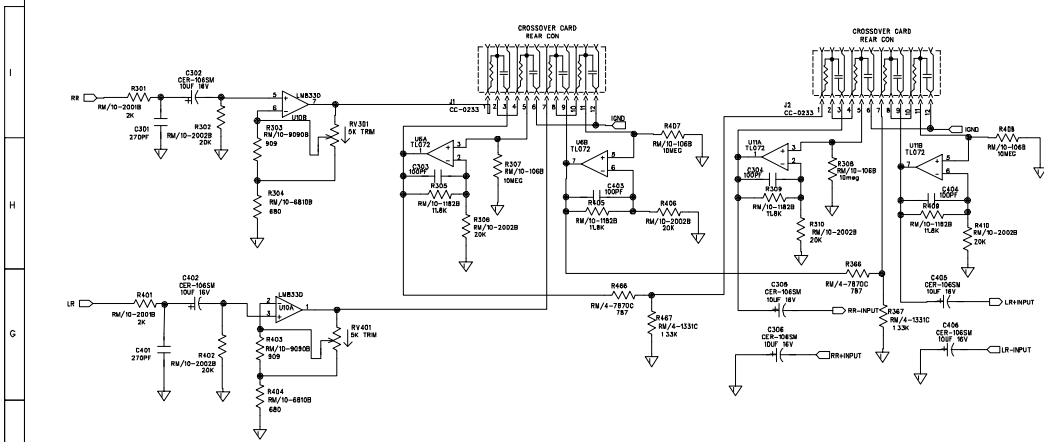


DRAWING REVISION RECORD				DRAWING REVISION RECORD							
ZONE	REV	PAGE	DESCRIPTION	DATE	APPROVED	ZONE	REV	PAGE	DESCRIPTION	DATE	APPROVED
			ECO 414 REPLACE SS-104 (REF 240) REF DES OF Q1 AS SS-008 (R) RFA SS-01-048 (REF 241)	7-88	H. MILLER		A		ECO 390 REPLACE SS-104 (REF 240) REF DES OF Q1 AS SS-008 (R) RFA SS-01-048 (REF 241)	7-88	H. MILLER
	1		ECO 416 REPLACE SS-104 (REF 241) REF DES OF Q1 AS SS-008 (R) RFA SS-01-048 (REF 241)	7-88	H. MILLER		B		ECO 392 REPLACE SS-104 (REF 240) REF DES OF Q1 AS SS-008 (R) RFA SS-01-048 (REF 241)	8-88	H. MILLER
	2		ECO 418 REPLACE SS-104 (REF 241) REF DES OF Q1 AS SS-008 (R) RFA SS-01-048 (REF 241)	7-88	H. MILLER		C		ECO 394 REPLACE SS-104 (REF 240) REF DES OF Q1 AS SS-008 (R) RFA SS-01-048 (REF 241)	8-88	H. MILLER
	3		ECO 420 REPLACE SS-104 (REF 241) REF DES OF Q1 AS SS-008 (R) RFA SS-01-048 (REF 241)	7-88	H. MILLER		D		ECO 396 REPLACE SS-104 (REF 240) REF DES OF Q1 AS SS-008 (R) RFA SS-01-048 (REF 241)	8-88	H. MILLER
	4		ECO 422 REPLACE SS-104 (REF 241) REF DES OF Q1 AS SS-008 (R) RFA SS-01-048 (REF 241)	7-88	H. MILLER		E		ECO 398 REPLACE SS-104 (REF 240) REF DES OF Q1 AS SS-008 (R) RFA SS-01-048 (REF 241)	8-88	H. MILLER
	5		ECO 424 REPLACE SS-104 (REF 241) REF DES OF Q1 AS SS-008 (R) RFA SS-01-048 (REF 241)	7-88	H. MILLER		F		ECO 400 REPLACE SS-104 (REF 240) REF DES OF Q1 AS SS-008 (R) RFA SS-01-048 (REF 241)	12-88	H. MILLER
	L		REV Q PCB BOARD RELEASE	11-98	H. MILLER		G		ECO 418 REPLACE SS-104 (REF 240) REF DES OF Q1 AS SS-008 (R) RFA SS-01-048 (REF 241)	12-98	H. MILLER



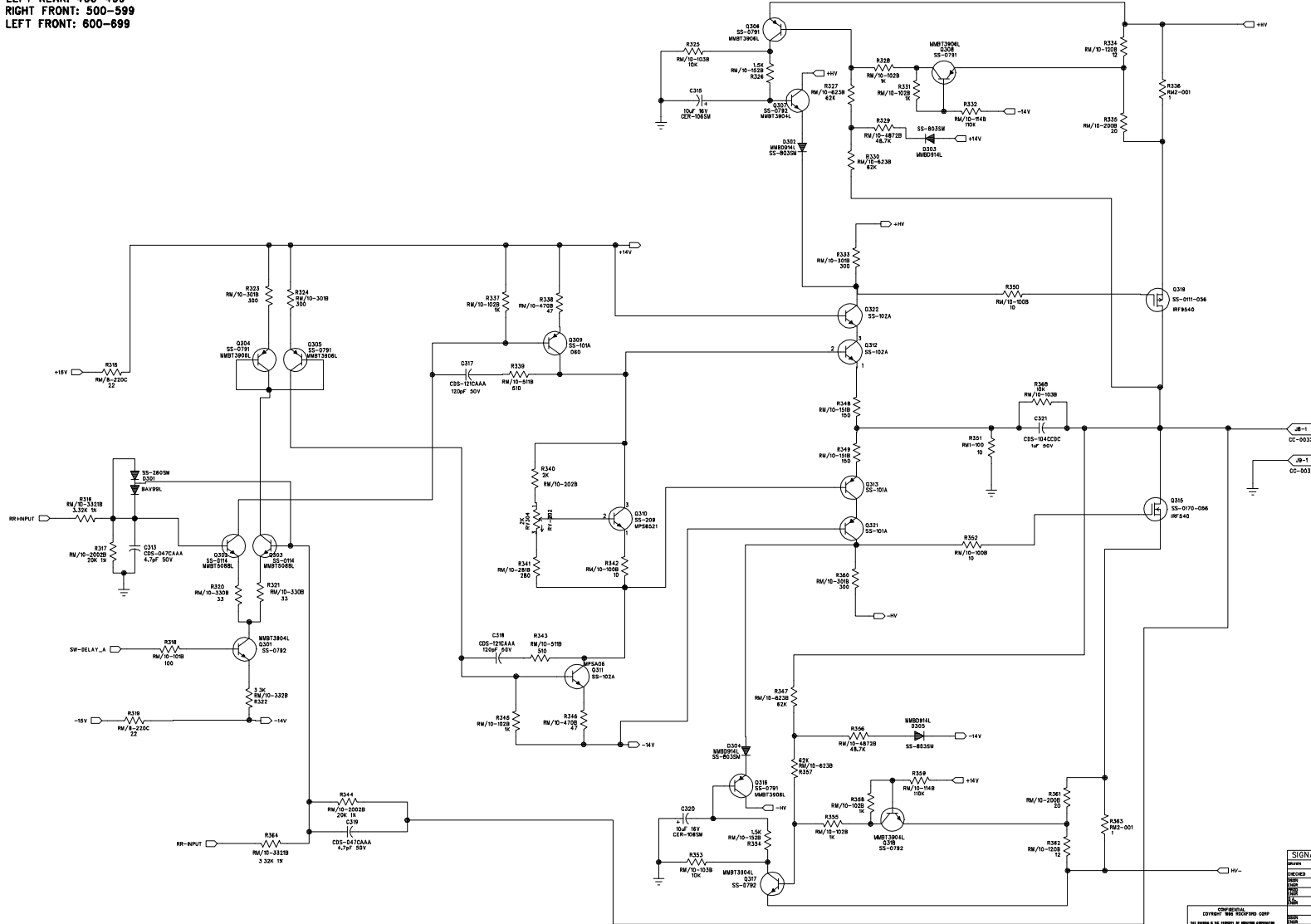
SIGNATURES		DATE	ROCKFORD FOSGATE CORPORATION FOSGATE DIVISION TEMPE AZ
DESIGNED	J. B.	9-85	
DRAWN	J. B.	9-85	
CHECKED			
DRAWING TITLE:			400.4 SCHEMATIC
SIZE	FILE NAME:	DWG/PART NO.:	REV
B	SCH02546	SOH-0954-B	1
SCALE: 1/1			DO NOT SCALE DRAWING SHEET 1 OF 3



SIGNATURES		DATE	 ROCKFORD CORPORATION FOSGATE DIVISION TEMPE AZ
DESIGN	J.M.	5-85	
DRAWN	J.M.	5-85	
CHECKED			
APP'D			
DATE			
DRAWING TITLE:			400.4 SCHEMATIC
SIZE	FILE NAME:	DWG/PART NO:	REV
B	SCH0954C	SCH-0954-G	1
SCALE: 1/1		DO NOT SCALE DRAWING	SHEET 2 OF 3

CONFIDENTIAL
 Copyright © 1985 Rockford Corp.
 All Rights Reserved. No part of this document may be reproduced without written permission from Rockford Corporation.

NOTE: ALL CHANNELS MAINTAIN SAME NUMERICAL ORDER
 LEFT REAR: 400-499
 RIGHT REAR: 500-599
 LEFT FRONT: 600-699



SIGNATURES		DATE
DESIGNED	J.M.	5-85
DRAWN	J.M.	5-85
CHECKED		
APPROVED		

ROCKFORD FOSGATE CORPORATION FOSGATE DIVISION TEMPE AZ			
DRAWING TITLE: 400.4 SCHEMATIC			
SIZE	FILE NAME:	DWG/PART NO:	REV
B	SCH02546	50H-0954-B	1
SCALE: 1/1		DO NOT SCALE DRAWING	SHEET 3 OF 3