

6

5

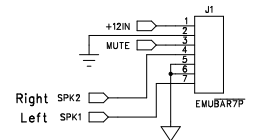
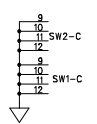
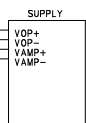
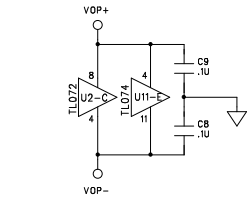
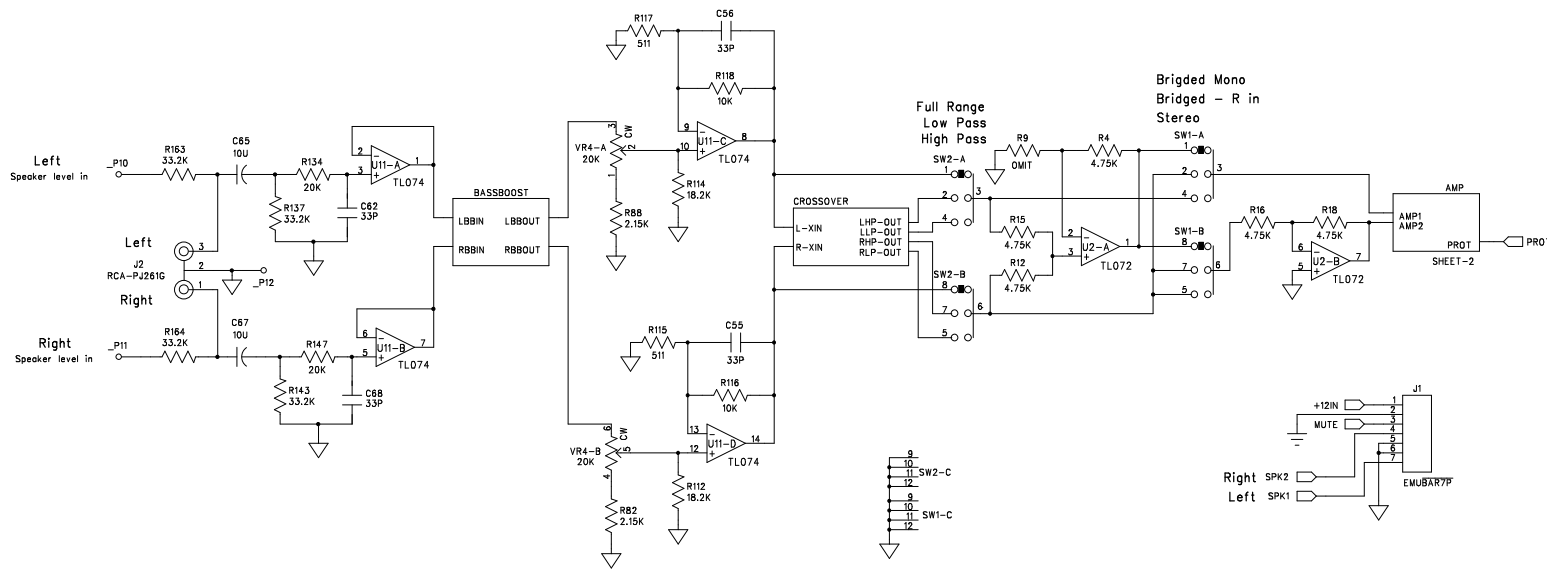
4

3

2

1

REVISION RECORD			
LTR	ECO NO:	APPROVED:	DATE:



D

C

B

A

D

C

B

A

DRAWN: B. Waddell	DATED: 4/15/99
CHECKED:	DATED:
QUALITY CONTROL:	DATED:
RELEASED:	DATED:

COMPANY: CLARION CORP.			
TITLE: APX400.2			
2 x 100 watt power amplifier			
CODE:	SIZE:	DRAWING NO:	REV: 1.01
SCALE:			SHEET: 1 OF 4

PADS

6

5

4

3

2

1

REVISION RECORD			
LTR	ECO NO:	APPROVED:	DATE:

D

D

C

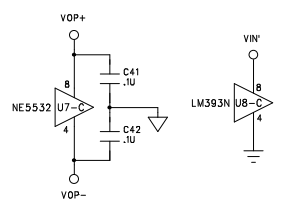
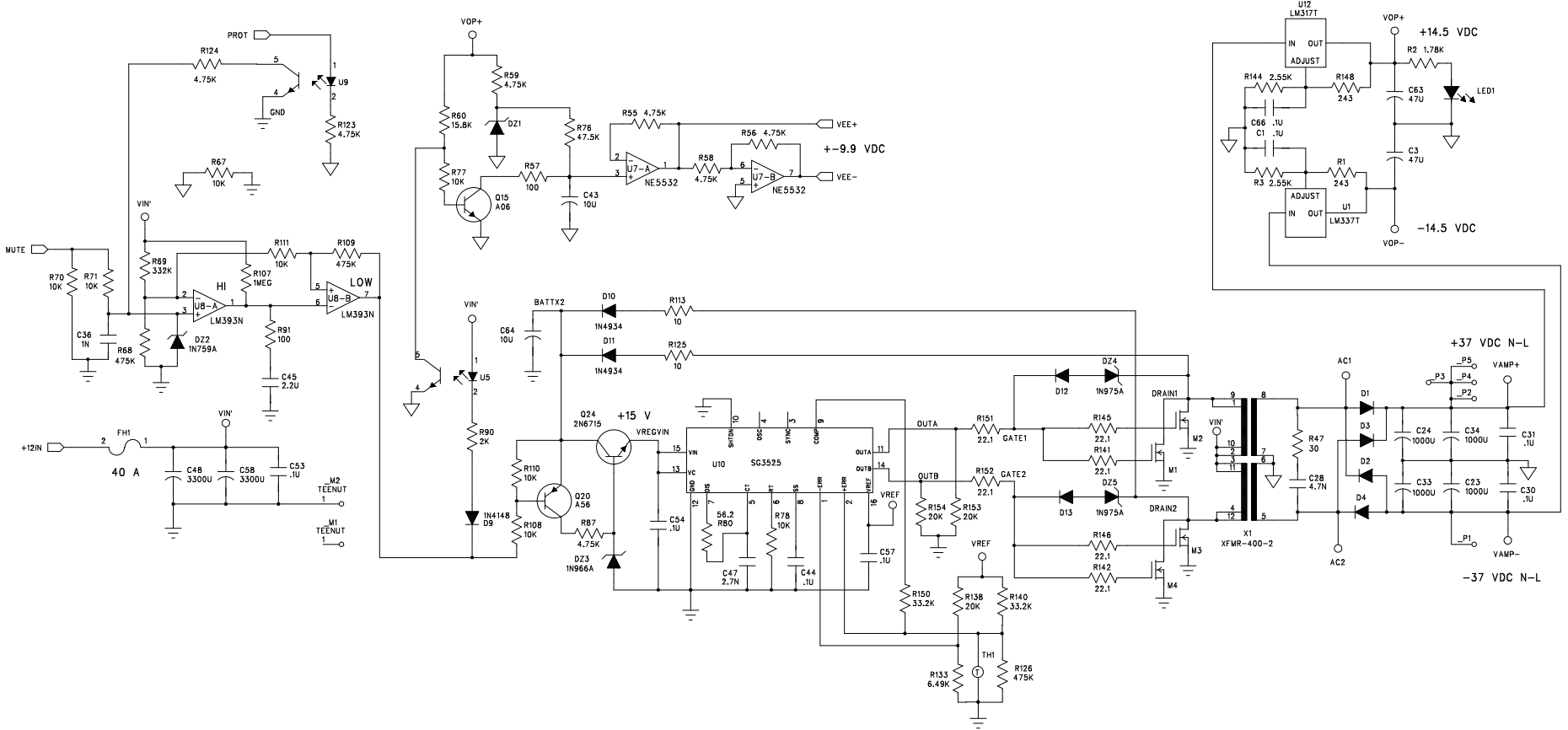
C

B

B

A

A



COMPANY: CLARION CORP.			
TITLE: APX400.2 2 x 100 watt power amplifier power supply section			
CODE:	SIZE:	DRAWING NO:	REV: 1.01
SCALE:			SHEET: 3 OF 4

DRAWN: B. Waddell	DATED: 4/15/99
CHECKED:	DATED:
QUALITY CONTROL:	DATED:
RELEASED:	DATED:

6

5

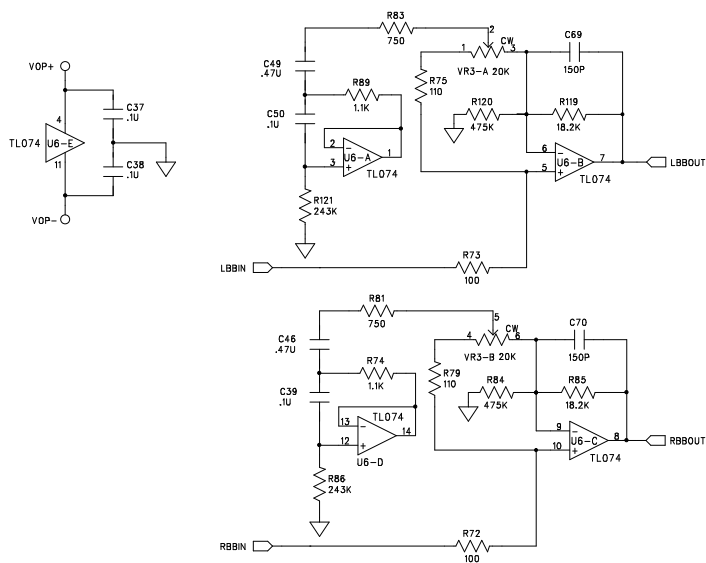
4

3

2

1

REVISION RECORD			
LTR	ECO NO:	APPROVED:	DATE:



COMPANY: **CLARION CORP.**

TITLE: **APX400.2
2 x 100 watt power amplifier
bass boost section**

DRAWN: B. Waddell	DATED: 4/15/99
CHECKED:	DATED:
QUALITY CONTROL:	DATED:
RELEASED:	DATED:

CODE:	SIZE:	DRAWING NO:	REV: 1.01
SCALE:			SHEET: 4 OF 6

6

5

4

3

2

1

REVISION RECORD			
LTR	ECO NO:	APPROVED:	DATE:

D

D

C

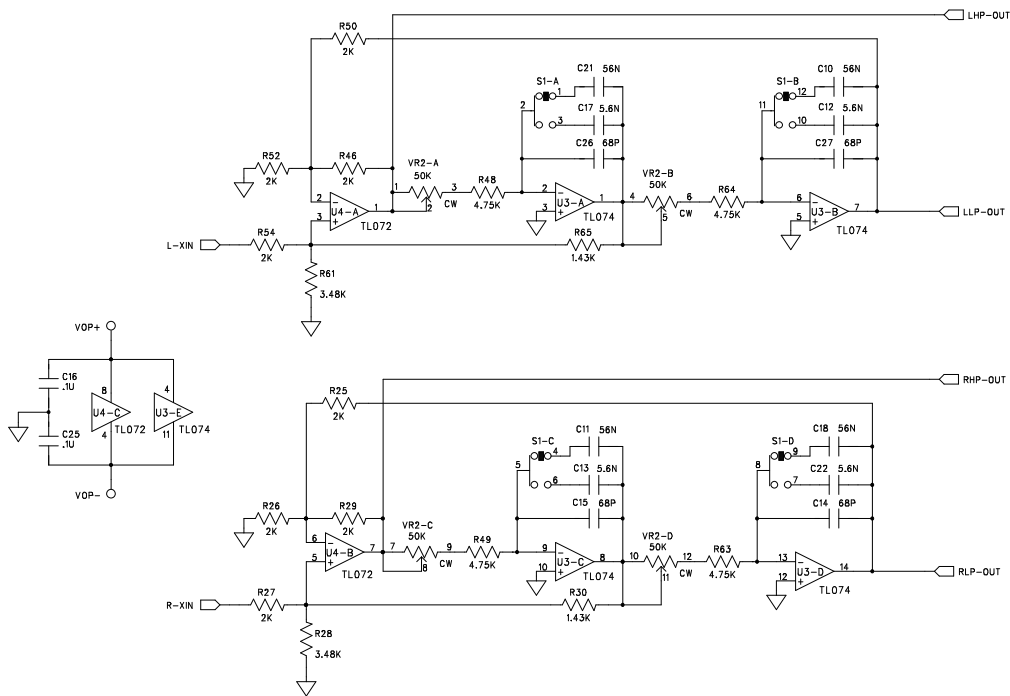
C

B

B

A

A



DRAWN: B. Waddell	DATED: 4/15/99
CHECKED:	DATED:
QUALITY CONTROL:	DATED:
RELEASED:	DATED:

COMPANY: CLARION CORP.			
TITLE: APX400.2 2 x 100 watt power amplifier crossover section			
CODE:	SIZE:	DRAWING NO:	REV: 1.01
SCALE:			SHEET: 5 OF 6