

E.C.O.

A. #0201968: CHANGE IN THE VALUE OF THE BIAS POTS TO ALLOW A WIDER RANGE OF BIAS ADJUSTMENT. THIS ECO STARTS WITH THE SERIAL #291736

B. #1209968: STANDARDIZE THE USE OF JPCZ46 IN ALL POWER SUPPLIES THAT UTILIZE TO-220 FET PACKAGES. THIS ECO STARTS WITH THE SERIAL #1101599

C. #0702978: CHANGE THE VALUE OF R24 FROM 10K TO 8.87K. THIS RAISES THE SWITCHING FREQUENCY FROM 26KHz TO 28KHz TO REDUCE THE CHANGES OF THE TRANSFORMER SATURATING AT HIGH TEMPERATURES. THIS ECO STARTS WITH THE SERIAL # 1107265

D. 080597A: CHANGE THE VALUES OF R1, AND R97 FROM 3.92K OHM TO 1K OHM. THIS CHANGE IS BEING MADE TO PROVIDE MORE BASE DRIVE CURRENT TO THE TRANSISTORS IN THE VOP REGULATOR CIRCUITRY SO THAT THEY CAN MAINTAIN VOP+/- UNDER HEAVIER LOADS. THIS ECO STARTS WITH THE SERIAL # 1106433.

SPECS.

Product Specifications

INPUT SENSITIVITY FOR RATED POWER: 27mV-2.4V UNBAL.

NO BIAS IDLE CURRENT: .50A
TO BIAS ADD .15 AMPS PER CHANNEL

FINAL IDLE CURRENT: 80A

SWITCHING FREQUENCY: .280K
TURN-ON TIME DELAY: 2.6 SEC

TURN-ON THRESHOLDS: 2V (SUPPLY), 10V (UNMUTE)

VOP: +/- 15.5V (MAINTAINS REGULATION)

VAMP +/-	NO LOAD	40HM LOAD	20HM LOAD	10HM LOAD
22.0V	21.0V	20.2V	18.8V	
WATTS/CH.	N/A	48W @ .1% THD	79W @ .1% THD	116W @ .1% THD
CURRENT DRAW	.80A	9.60A	16.3A	27.9A

Transformer Windings

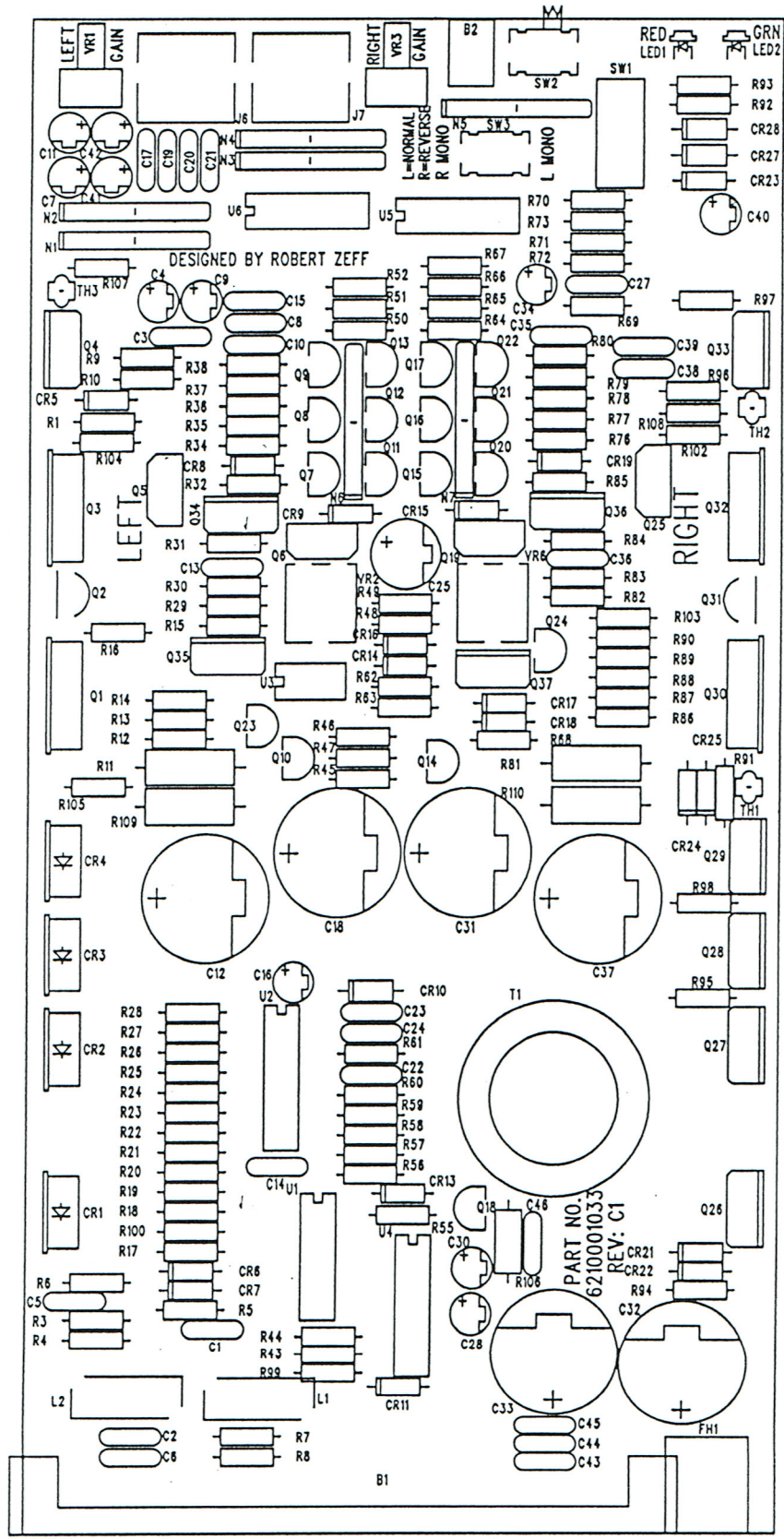
PRIMARY:
7-TURNS #14 WIRE WOUND BI-FI

SECONDARY:
11 TURNS #16 WIRE WOUND BI-FI

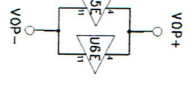
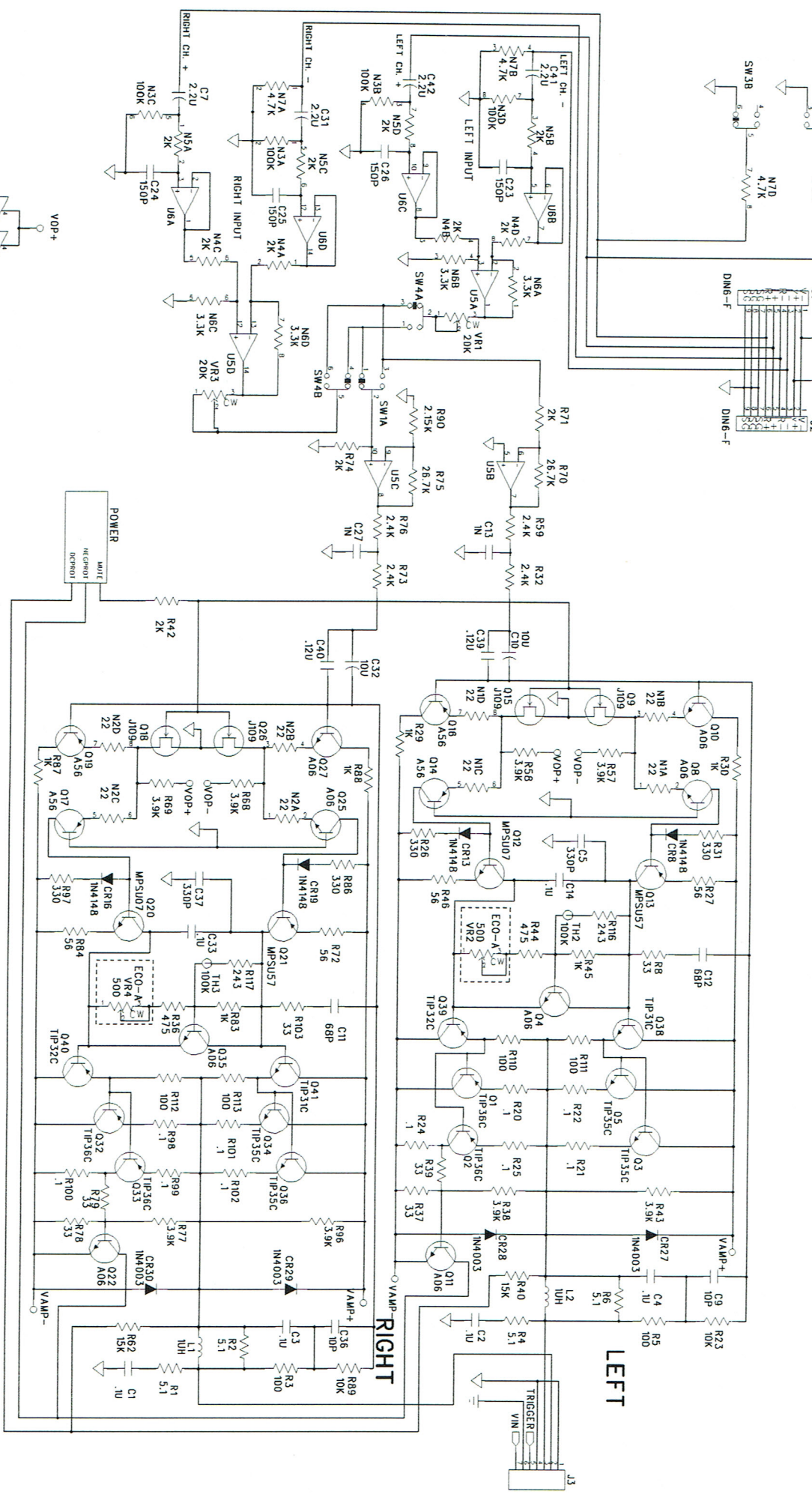
DATE	DESIGN	APPROVAL	DATE

DESIGN	DATE	DESIGN	DATE
David P.	1/19/88	David P.	8/2/87
David P.	8/2/87	David P.	8/2/87
David S.	8/2/87	David S.	8/2/87

(COMPANY) **AR.P.A. OF AMERICA**
 TITLE **Z100C2-SL: ECO/SPEC SHEET**
 PART NUMBER: 105-1081-330
 SHEET 1 OF 3



REV	DESCRIPTION	DATE
1	ECO NO: 020198C	APPROVED:
2		DATE:

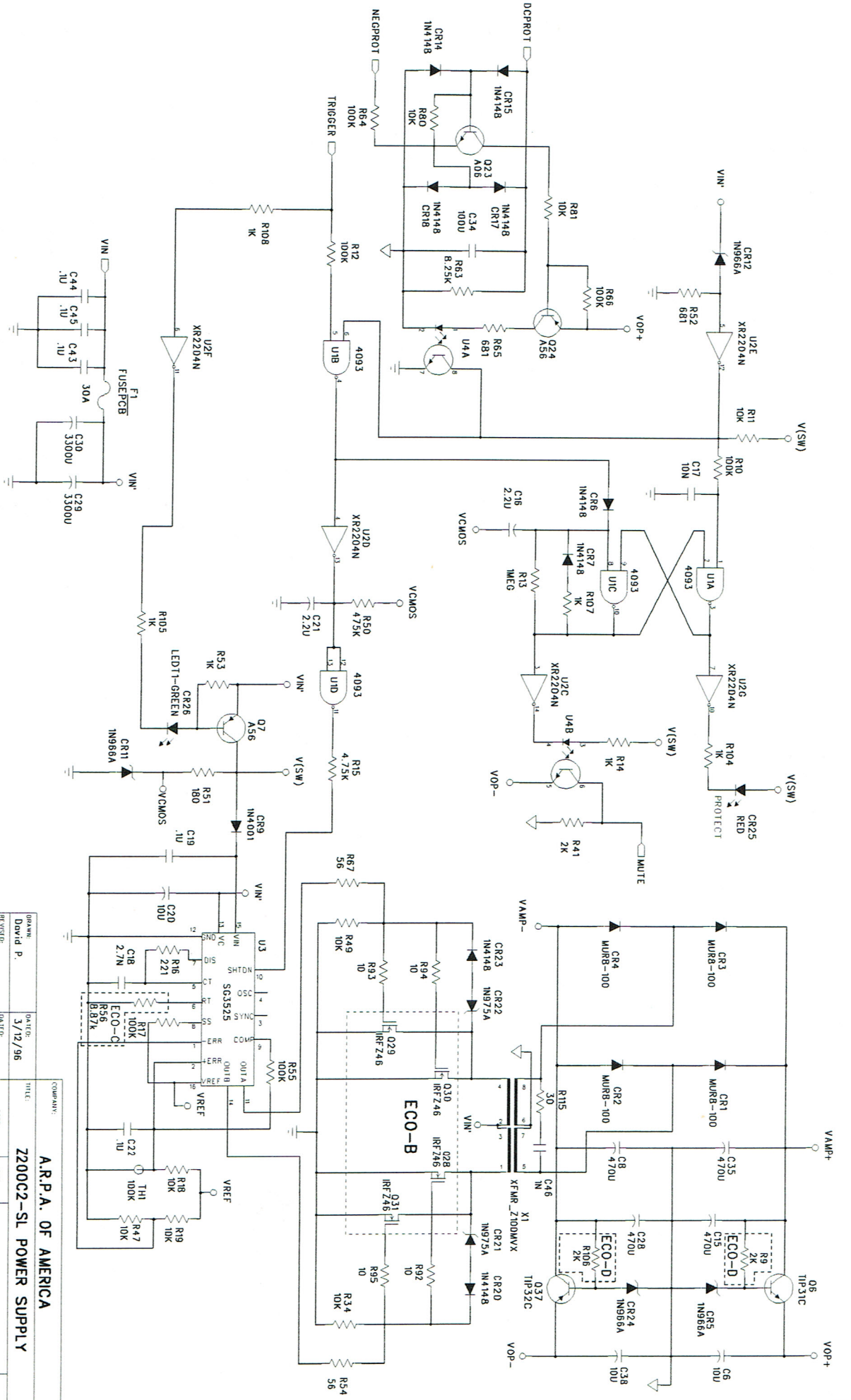


E.C.O.

DATE:	3/20/95
DESIGNED BY:	David P.
DATE:	8/18/97
DESIGNED BY:	David P.
DATE:	8/18/97
DESIGNED BY:	Joe S.

COMPANY:	AR.P.A. OF AMERICA
TITLE:	Z200C2-SL AMP SECTION
DATE:	3/20/95
DESIGNED BY:	David P.
DATE:	8/18/97
DESIGNED BY:	Joe S.
PART NUMBER:	ID5-0002-031
SHEET:	1 OF 3

LIB	ECO NO.	REVISION RECORD	APPROVED:	DATE:
B	120996A			
C	070297C			
D	081897A			



DRAWN:		David P.	DATE:	3/12/96
REVISED:		David P.	DATE:	8/18/97
QUALITY CONTROL:		Joe S.	DATE:	8/18/97
RELEASED:			DATE:	

COMPANY:		A.R.P.A. OF AMERICA	
TITLE:		Z200C2-SL POWER SUPPLY	
CODE:	SIZE:	DRAWING NO.:	REV.:
			C
PART NUMBER: 105-0002-031		SHEET: 2 OF 3	