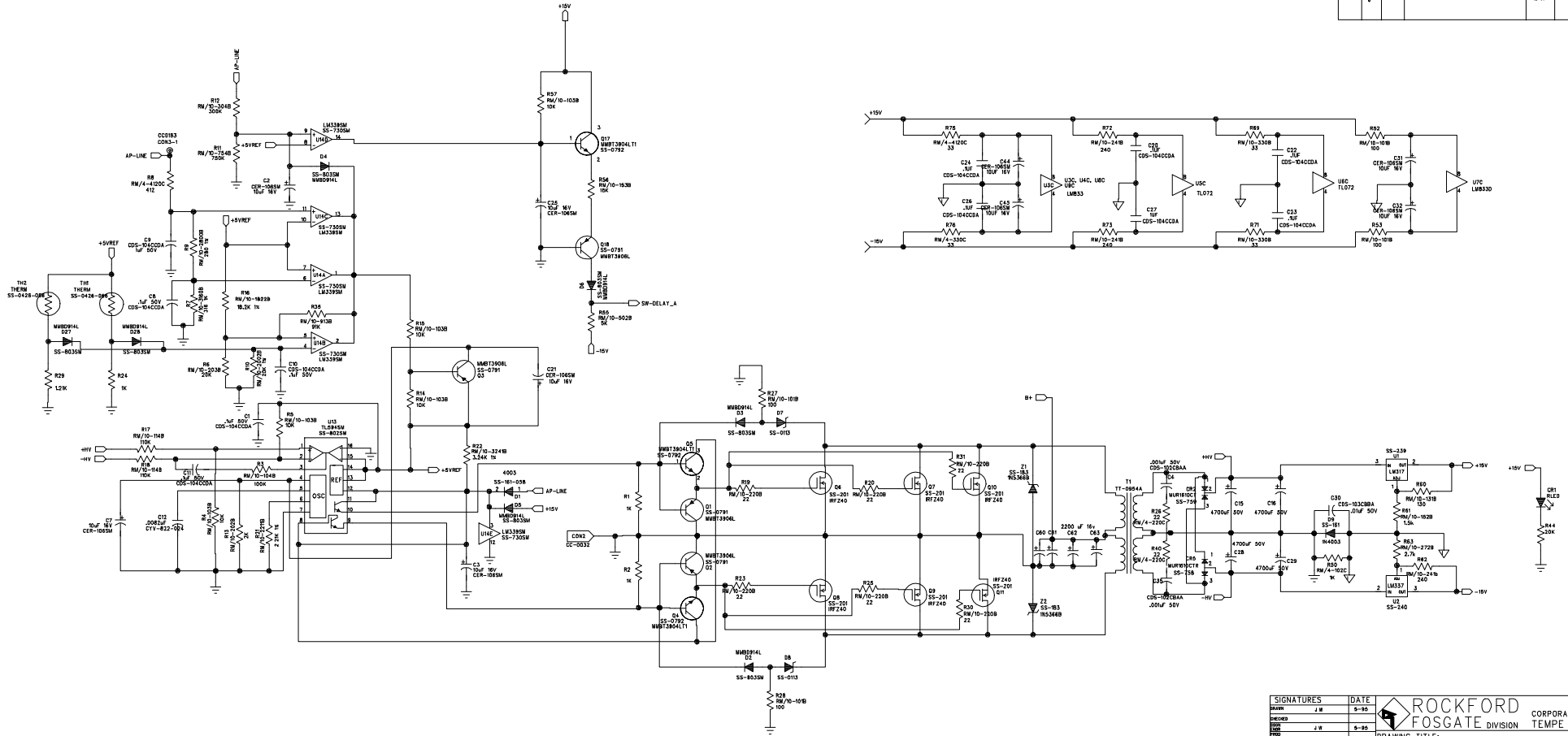
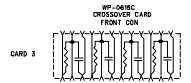
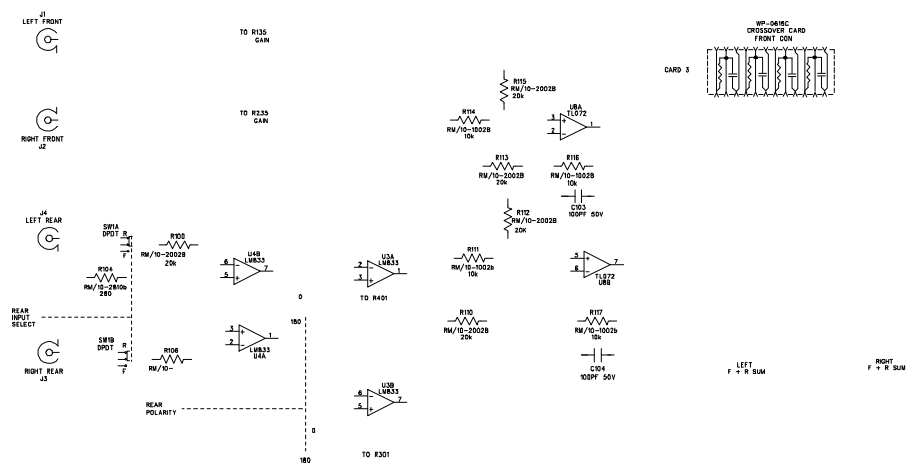
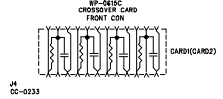


DRAWING REVISION RECORD				DRAWING REVISION RECORD							
ZONE	REV	PAGE	DESCRIPTION	DATE	APPROVED	ZONE	REV	PAGE	DESCRIPTION	DATE	APPROVED
			ECO 414 REPLACE SS-104 (REF24) WITH SS-104-048 (REF24)	7-88	H. MILLER	A			ECO 390 REPLACE SS-104 (REF24) WITH SS-104-048 (REF24)	7-88	H. MILLER
			ECO 414 REPLACE SS-104 (REF24) WITH SS-104-048 (REF24)	7-88	H. MILLER	B			ECO 390 REPLACE SS-104 (REF24) WITH SS-104-048 (REF24)	7-88	H. MILLER
			ECO 414 REPLACE SS-104 (REF24) WITH SS-104-048 (REF24)	7-88	H. MILLER	C			ECO 390 REPLACE SS-104 (REF24) WITH SS-104-048 (REF24)	7-88	H. MILLER
			ECO 414 REPLACE SS-104 (REF24) WITH SS-104-048 (REF24)	7-88	H. MILLER	D			ECO 390 REPLACE SS-104 (REF24) WITH SS-104-048 (REF24)	7-88	H. MILLER
			ECO 414 REPLACE SS-104 (REF24) WITH SS-104-048 (REF24)	7-88	H. MILLER	E			ECO 390 REPLACE SS-104 (REF24) WITH SS-104-048 (REF24)	7-88	H. MILLER
			ECO 414 REPLACE SS-104 (REF24) WITH SS-104-048 (REF24)	7-88	H. MILLER	F			ECO 390 REPLACE SS-104 (REF24) WITH SS-104-048 (REF24)	7-88	H. MILLER
			ECO 414 REPLACE SS-104 (REF24) WITH SS-104-048 (REF24)	7-88	H. MILLER	G			ECO 390 REPLACE SS-104 (REF24) WITH SS-104-048 (REF24)	7-88	H. MILLER
			REV Q PC BOARD RELEASE	11-92	H. MILLER	L			ECO 418 DELETE REF1-1000-01 (CER-1000) REF DES C13	12-90	H. MILLER



SIGNATURES		DATE	ROCKFORD FOSGATE DIVISION CORPORATION TEMPE AZ
DESIGNED	J. B.	9-85	
DRAWN	J. B.	9-85	
CHECKED			
DRAWING TITLE:			400.4 SCHEMATIC
SIZE	FILE NAME:	DWG/PART NO.:	REV
B	SCH02546	SOH-0954-B	1
SCALE: 1/1			DO NOT SCALE DRAWING SHEET 1 OF 3

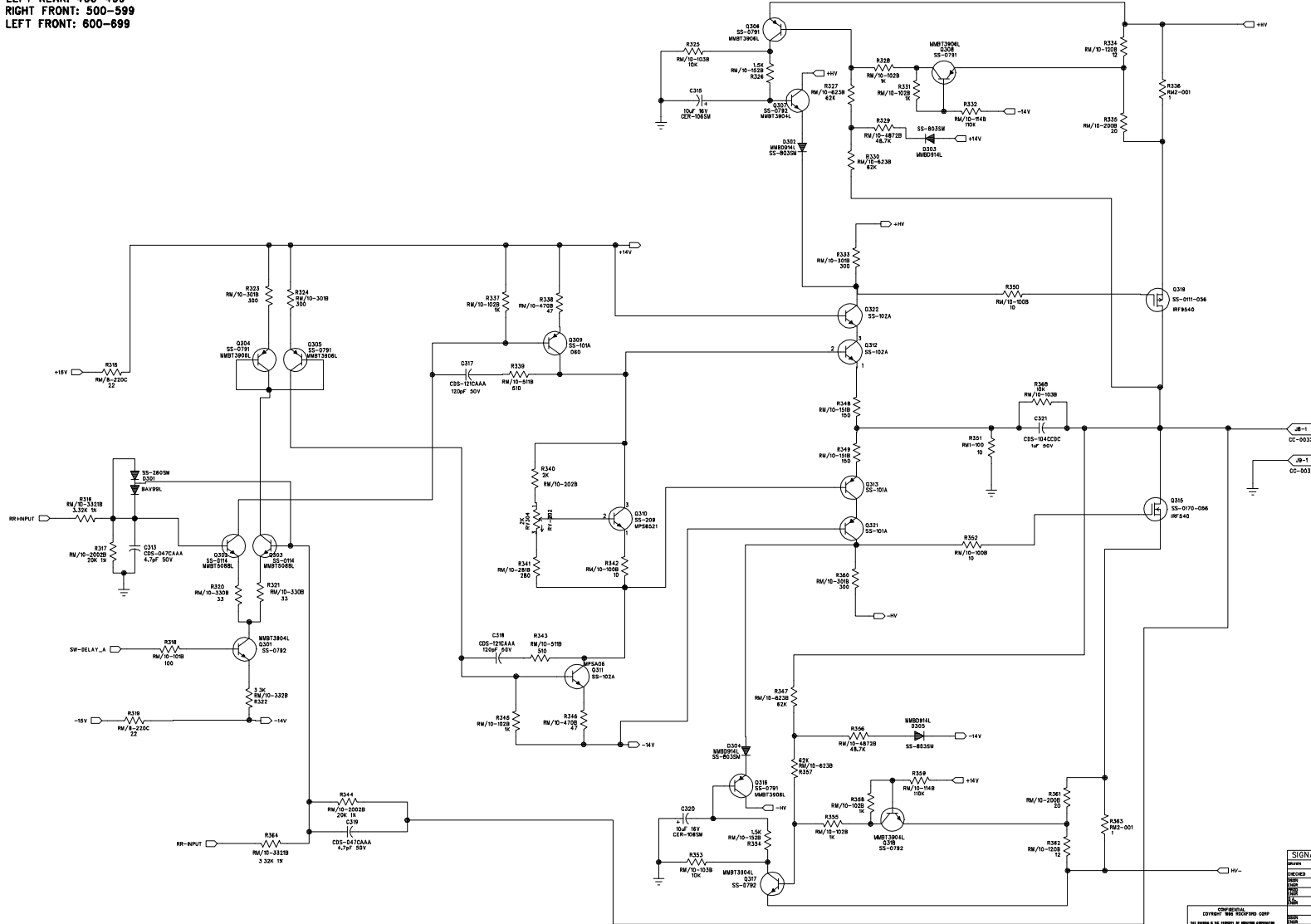


LEFT F + R SUM RIGHT F + R SUM

SIGNATURES		DATE
DESIGN	J.M.	5-85
DRAWN	J.M.	5-85
CHECKED	J.M.	5-85
DATE		
BY		
DATE		
BY		
DATE		
BY		
DATE		

ROCKFORD CORPORATION FOSGATE DIVISION TEMPE AZ			
DRAWING TITLE: 400.4 SCHEMATIC			
SIZE	FILE NAME:	DWG/PART NO:	REV
B	SCH0954C	SCH-0954-G	1
SCALE: 1/1		DO NOT SCALE DRAWING	SHEET 2 OF 3

NOTE: ALL CHANNELS MAINTAIN SAME NUMERICAL ORDER
 LEFT REAR: 400-499
 RIGHT REAR: 500-599
 LEFT FRONT: 600-699



SIGNATURES		DATE
DESIGNED	J.M.	5-85
DRAWN	J.M.	5-85
CHECKED		
APPROVED		

DRAWING TITLE: 400.4 SCHEMATIC			
SIZE	FILE NAME:	DWG/PART NO:	REV
B	SCH02546	50H-0954-B	1
SCALE: 1/1		DO NOT SCALE DRAWING	SHEET 3 OF 3



CONFIDENTIAL
 COPYRIGHT © 1985 ROCKFORD CORP.
 ALL RIGHTS RESERVED. NO PART OF THIS PUBLICATION MAY BE REPRODUCED OR TRANSMITTED IN ANY FORM OR BY ANY MEANS, ELECTRONIC OR MECHANICAL, INCLUDING PHOTOCOPYING, RECORDING, OR BY ANY INFORMATION STORAGE AND RETRIEVAL SYSTEM.