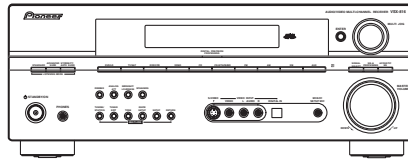


# Service Manual



VSX-816-K

ORDER NO.  
**RRV3328**

**AUDIO/VIDEO MULTI-CHANNEL RECEIVER**

# VSX-816-K

## VSX-816-S

## VSX-916-K

## VSX-916-S

**THIS MANUAL IS APPLICABLE TO THE FOLLOWING MODEL(S) AND TYPE(S).**

Model	Type	Power Requirement	Remarks
VSX-816-K	KUXJ/CA	AC 120 V	
VSX-816-S	KUXJ/CA	AC 120 V	
VSX-916-K	MYXJ5	AC 220 V to 230 V	
VSX-916-S	MYXJ5	AC 220 V to 230 V	



For details, refer to "Important Check Points for Good Servicing".

# SAFETY INFORMATION



This service manual is intended for qualified service technicians; it is not meant for the casual do-it-yourselfer. Qualified technicians have the necessary test equipment and tools, and have been trained to properly and safely repair complex products such as those covered by this manual.

Improperly performed repairs can adversely affect the safety and reliability of the product and may void the warranty. If you are not qualified to perform the repair of this product properly and safely, you should not risk trying to do so and refer the repair to a qualified service technician.

## WARNING

This product contains lead in solder and certain electrical parts contain chemicals which are known to the state of California to cause cancer, birth defects or other reproductive harm.

Health & Safety Code Section 25249.6 – Proposition 65

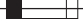
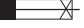
## NOTICE

(FOR CANADIAN MODEL ONLY)

Fuse symbols  (fast operating fuse) and/or  (slow operating fuse) on PCB indicate that replacement parts must be of identical designation.

## REMARQUE

(POUR MODÈLE CANADIEN SEULEMENT)

Les symboles de fusible  (fusible de type rapide) et/ou  (fusible de type lent) sur CCI indiquent que les pièces de remplacement doivent avoir la même désignation.

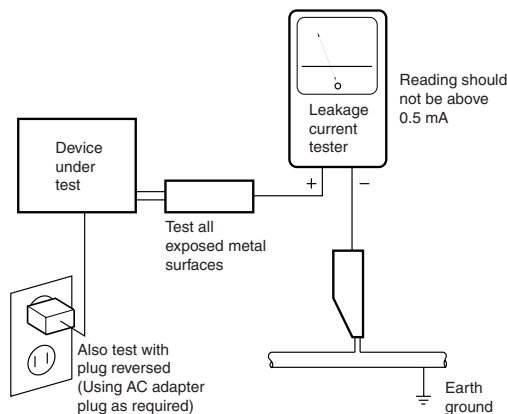
## (FOR USA MODEL ONLY)

### 1. SAFETY PRECAUTIONS

The following check should be performed for the continued protection of the customer and service technician.

#### LEAKAGE CURRENT CHECK

Measure leakage current to a known earth ground (water pipe, conduit, etc.) by connecting a leakage current tester such as Simpson Model 229-2 or equivalent between the earth ground and all exposed metal parts of the appliance (input/output terminals, screwheads, metal overlays, control shaft, etc.). Plug the AC line cord of the appliance directly into a 120V AC 60 Hz outlet and turn the AC power switch on. Any current measured must not exceed 0.5 mA.



AC Leakage Test

**ANY MEASUREMENTS NOT WITHIN THE LIMITS OUTLINED ABOVE ARE INDICATIVE OF A POTENTIAL SHOCK HAZARD AND MUST BE CORRECTED BEFORE RETURNING THE APPLIANCE TO THE CUSTOMER.**

### 2. PRODUCT SAFETY NOTICE

Many electrical and mechanical parts in the appliance have special safety related characteristics. These are often not evident from visual inspection nor the protection afforded by them necessarily can be obtained by using replacement components rated for voltage, wattage, etc. Replacement parts which have these special safety characteristics are identified in this Service Manual.

Electrical components having such features are identified by marking with a  $\Delta$  on the schematics and on the parts list in this Service Manual.

The use of a substitute replacement component which does not have the same safety characteristics as the PIONEER recommended replacement one, shown in the parts list in this Service Manual, may create shock, fire, or other hazards.

Product Safety is continuously under review and new instructions are issued from time to time. For the latest information, always consult the current PIONEER Service Manual. A subscription to, or additional copies of, PIONEER Service Manual may be obtained at a nominal charge from PIONEER.

## [Important Check Points for Good Servicing]

In this manual, procedures that must be performed during repairs are marked with the below symbol. Please be sure to confirm and follow these procedures.

### 1. Product safety



Please conform to product regulations (such as safety and radiation regulations), and maintain a safe servicing environment by following the safety instructions described in this manual.

- ① Use specified parts for repair.

Use genuine parts. Be sure to use important parts for safety.

- ② Do not perform modifications without proper instructions.

Please follow the specified safety methods when modification (addition/change of parts) is required due to interferences such as radio/TV interference and foreign noise.

- ③ Make sure the soldering of repaired locations is properly performed.

When you solder while repairing, please be sure that there are no cold solder and other debris. Soldering should be finished with the proper quantity. (Refer to the example)

- ④ Make sure the screws are tightly fastened.

Please be sure that all screws are fastened, and that there are no loose screws.

- ⑤ Make sure each connectors are correctly inserted.

Please be sure that all connectors are inserted, and that there are no imperfect insertion.

- ⑥ Make sure the wiring cables are set to their original state.

Please replace the wiring and cables to the original state after repairs. In addition, be sure that there are no pinched wires, etc.

- ⑦ Make sure screws and soldering scraps do not remain inside the product.

Please check that neither solder debris nor screws remain inside the product.

- ⑧ There should be no semi-broken wires, scratches, melting, etc. on the coating of the power cord.

Damaged power cords may lead to fire accidents, so please be sure that there are no damages. If you find a damaged power cord, please exchange it with a suitable one.

- ⑨ There should be no spark traces or similar marks on the power plug.

When spark traces or similar marks are found on the power supply plug, please check the connection and advise on secure connections and suitable usage. Please exchange the power cord if necessary.

- ⑩ Safe environment should be secured during servicing.

When you perform repairs, please pay attention to static electricity, furniture, household articles, etc. in order to prevent injuries. Please pay attention to your surroundings and repair safely.

### 2. Adjustments



To keep the original performance of the products, optimum adjustments and confirmation of characteristics within specification. Adjustments should be performed in accordance with the procedures/instructions described in this manual.

### 3. Lubricants, Glues, and Replacement parts



Use grease and adhesives that are equal to the specified substance. Make sure the proper amount is applied.

### 4. Cleaning



For parts that require cleaning, such as optical pickups, tape deck heads, lenses and mirrors used in projection monitors, proper cleaning should be performed to restore their performances.

### 5. Shipping mode and Shipping screws



To protect products from damages or failures during transit, the shipping mode should be set or the shipping screws should be installed before shipment. Please be sure to follow this method especially if it is specified in this manual.

# CONTENTS

- SAFETY INFORMATION ..... 2
- 1. SPECIFICATIONS ..... 5
- A 2. EXPLODED VIEWS AND PARTS LIST ..... 6
  - 2.1 PACKING ..... 6
  - 2.2 EXTERIOR SECTION ..... 8
  - 2.3 FRONT PANEL SECTION ..... 10
- 3. BLOCK DIAGRAM AND SCHEMATIC DIAGRAM ..... 12
  - 3.1 BLOCK DIAGRAM ..... 12
  - 3.2 OVERALL WIRING CONNECTION DIAGRAM ..... 14
  - 3.3 MAIN ASSY (1/3) ..... 16
  - 3.4 MAIN ASSY (2/3) ..... 18
  - 3.5 MAIN ASSY (3/3) ..... 20
  - 3.6 DSP ASSY (1/2) (for VSX-816) ..... 22
  - 3.7 DSP ASSY (2/2) (for VSX-816) ..... 24
  - B 3.8 DSP ASSY (1/2) (for VSX-916) ..... 26
  - 3.9 DSP ASSY (2/2) (for VSX-916) ..... 28
  - 3.10 POWER PACK (1/2), TRANS 2 and TRANS 3 ASSYS ..... 30
  - 3.11 POWER PACK ASSY (2/2) ..... 32
  - 3.12 COMPONENT ASSY ..... 34
  - 3.13 HEADPHONE, PRE-OUT and 5.1CHIN ASSYS ..... 35
  - 3.14 FRONT DISPLAY, R. ENCODER and POWER KEY ASSYS ..... 36
  - 3.15 S. VIDEO, TRANS 4 and REGULATOR ASSYS ..... 38
  - 3.16 VIDEO, DIGITAL IN, FRONT VIDEO, PRIMARY and TRANS 1 ASSYS ..... 40
  - 3.17 USB ASSY ..... 42
  - 3.18 USB IN ASSY ..... 44
- C 4. PCB CONNECTION DIAGRAM ..... 46
  - 4.1 USB IN ASSY ..... 47
  - 4.2 MAIN ASSY ..... 48
  - 4.3 DSP ASSY (FOR VSX-916) ..... 52
  - 4.4 DSP ASSY (FOR VSX-816) ..... 56
  - 4.5 POWER PACK ASSY ..... 60
  - 4.6 TRANS2, TRANS3, TRANS4 and TRANS1 ASSYS ..... 64
  - 4.7 COMPONENT ASSY ..... 66
  - 4.8 HEADPHONE and 5.1 CHIN ASSYS ..... 67
  - 4.9 FRONT DISPLY, R. ENCODER and POWER KEY ASSYS ..... 68
  - 4.10 S. VIDEO and FRONT VIDEO ASSYS ..... 72
  - 4.11 PRE-OUT ASSY ..... 74
  - 4.12 REGULATOR and DIGITAL IN ASSYS ..... 75
  - D 4.13 PRIMARY ASSY ..... 76
  - 4.14 VIDEO ASSY ..... 78
  - 4.15 USB ASSY ..... 79
- 5. PCB PARTS LIST ..... 80
- 6. ADJUSTMENT ..... 108
- 7. GENERAL INFORMATION ..... 109
  - 7.1 DIAGNOSIS ..... 109
    - 7.1.1 DISASSEMBLY ..... 109
  - 7.2 PARTS ..... 112
    - 7.2.1 IC ..... 112
  - 7.3 EXPLANATION ..... 127
    - E 7.3.1 DETECTION CIRCUIT ..... 127
    - 7.3.2 AMPLIFIER SYSTEM PROTECTION OPERATION SPECIFICATION ..... 129
    - 7.3.3 AMPLIFIER FAILURE DIAGNOSIS FLOW CHART ..... 131
    - 7.3.4 USB Module ..... 132
- 8. PANEL FACILITIES ..... 138

# 1. SPECIFICATIONS

VSX-816/KUXJ/CA

## Amplifier section

- **Continuous power output (stereo)**  
Front. . . . . 110 W (20 to 20 000 Hz, THD 0.7 %, 8 Ω)<sup>1</sup>
- **Continuous power output (surround)**  
Front. . . . . 110 W per channel (1 kHz, 1.0 %, 8 Ω)  
Center . . . . . 110 W (1 kHz, 1.0 %, 8 Ω)  
Surround . . . . . 110 W per channel  
(1 kHz, 1.0 %, 8 Ω)  
Surround Back . . . . . 110 W per channel  
(1 kHz, 1.0 %, 8 Ω)

## Audio section

- **Input (Sensitivity/Impedance)**  
CD, DVR/VCR, CD-R/TAPE/MD,  
DVD/LD, TV/SAT . . . . . 200 mV/47 kΩ
- **Frequency response**  
CD, DVR/VCR, CD-R/TAPE/MD, DVD/LD,  
TV/SAT . . . . . 5 Hz to 100,000 Hz $\pm$ 3 dB
- **Output (Level/Impedance)**  
DVR/VCR REC, CD-R/TAPE/  
MD REC. . . . . 200 mV/2.2 kΩ
- **Tone control**  
Bass. . . . .  $\pm$  6 dB (100 Hz)  
Treble. . . . .  $\pm$  6 dB (10 kHz)  
Loudness. . . . . +10 dB/+5 dB (100 Hz/10 kHz)  
(at volume level -50 dB)
- **Signal-to-Noise Ratio (IHF, short circuited, A network)**  
CD, DVR/VCR, CD-R/TAPE/MD,  
DVD/LD, TV/SAT . . . . . 96 dB
- **Signal-to Noise Ratio [EIA, at 1 W (1 kHz)]**  
CD, DVR/VCR, CD-R/TAPE/MD,  
DVD/LD, TV/SAT . . . . . 79 dB



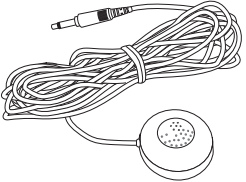

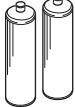
## Video Section

- **Input (Sensitivity/Impedance)**  
DVR/VCR, DVD/LD, TV/SAT. . . . . 1 Vp-p/75 Ω
- **Output (Level/Impedance)**  
DVR/VCR, MONITOR OUT. . . . . 1 Vp-p/75 Ω
- **Frequency response**  
DVR/VCR, DVD/LD,  
TV/SAT  $\Rightarrow$  MONITOR . . . . . 5 Hz to 7 MHz  $\pm$ 3 dB  
Signal-to-Noise Ratio. . . . . 55 dB  
Crosstalk. . . . . -50 dB

Manufactured under license from Dolby Laboratories. "Dolby", "Pro Logic", "Surround EX", and the double-D symbol are trademarks of Dolby Laboratories.

"DTS", "DTS-ES", "DTS 96/24" and "Neo:6" are trademarks of Digital Theater Systems, Inc.

## Accessories

			
AM loop antenna (ATB7013)	FM wire antenna (ADH7030)	Microphone (for Auto MCACC setup) (APM7008)	Remote control (KUXJ/CA : XXD3105) (MYXJ5 : XXD3107)
			 AA size IEC R6 Dry cell batteries (x2)

## Component video section

- **Input (Sensitivity)**  
DVD/LD, TV/SAT, DVR/VCR . . . . . 1 Vp-p/75 Ω
- **Output (Level/Impedance)**  
MONITOR OUT. . . . . 1 Vp-p/75 Ω
- **Frequency response**  
DVD/LD, TV/SAT,  
DVR/VCR  $\Rightarrow$  MONITOR . . . . . 5 Hz to 40 MHz  $\pm$ 3 dB  
Signal-to-Noise Ratio. . . . . 60 dB
- **FM Tuner Section**  
Frequency Range . . . . . 87.5 MHz to 108 MHz  
Usable Sensitivity . . . . . Mono: 13.2 dBf, IHF  
(1.3 μV/ 75 Ω)  
50 dB Quieting Sensitivity. . . . . Mono: 20.2 dB  
Stereo: 38.6 dBf  
Signal-to-Noise Ratio. . . . . Mono: 73 dB (at 85 dBf)  
Stereo: 70 dB (at 85 dBf)  
Distortion . . . . . Stereo: 0.5 % (1 kHz)  
Alternate Channel Selectivity . . . . . 60 dB  
(400 kHz)  
Stereo Separation . . . . . 40 dB (1 kHz)  
Frequency Response . . . . . 30 Hz to 15 kHz  
( $\pm$ 1 dB)  
Antenna Input (DIN) . . . . . 75 Ω unbalanced

## AM Tuner Section

- Frequency Range. . . . . 530 kHz to 1700 kHz  
Sensitivity (IHF, Loop antenna). . . . . 350 μV/m  
Signal-to-Noise Ratio. . . . . 50 dB  
Antenna . . . . . Loop antenna

## Miscellaneous

- Power requirements . . . . . AC 120V / 60Hz
- Power consumption . . . . . 370 W / 480 VA  
In standby. . . . . 0.5 W
- Dimensions . . . . . 16<sup>9</sup>/<sub>16</sub> (W) in. x 6<sup>1</sup>/<sub>4</sub> (H) in. x 13<sup>7</sup>/<sub>8</sub> (D) in.  
420 (W) mm x 158 (H) mm x 352.5 (D) mm
- Weight (without package). . . . . 20.3 lb (9.2 kg)

## Furnished Parts

- Microphone (for Auto MCACC setup). . . . . 1
- Dry cell batteries (AA size IEC R6) . . . . . 2
- Remote control . . . . . 1
- AM loop antenna. . . . . 1
- FM wire antenna . . . . . 1
- Operating instructions


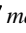
## Note

- Specifications and the design are subject to possible modifications without notice, due to improvements.

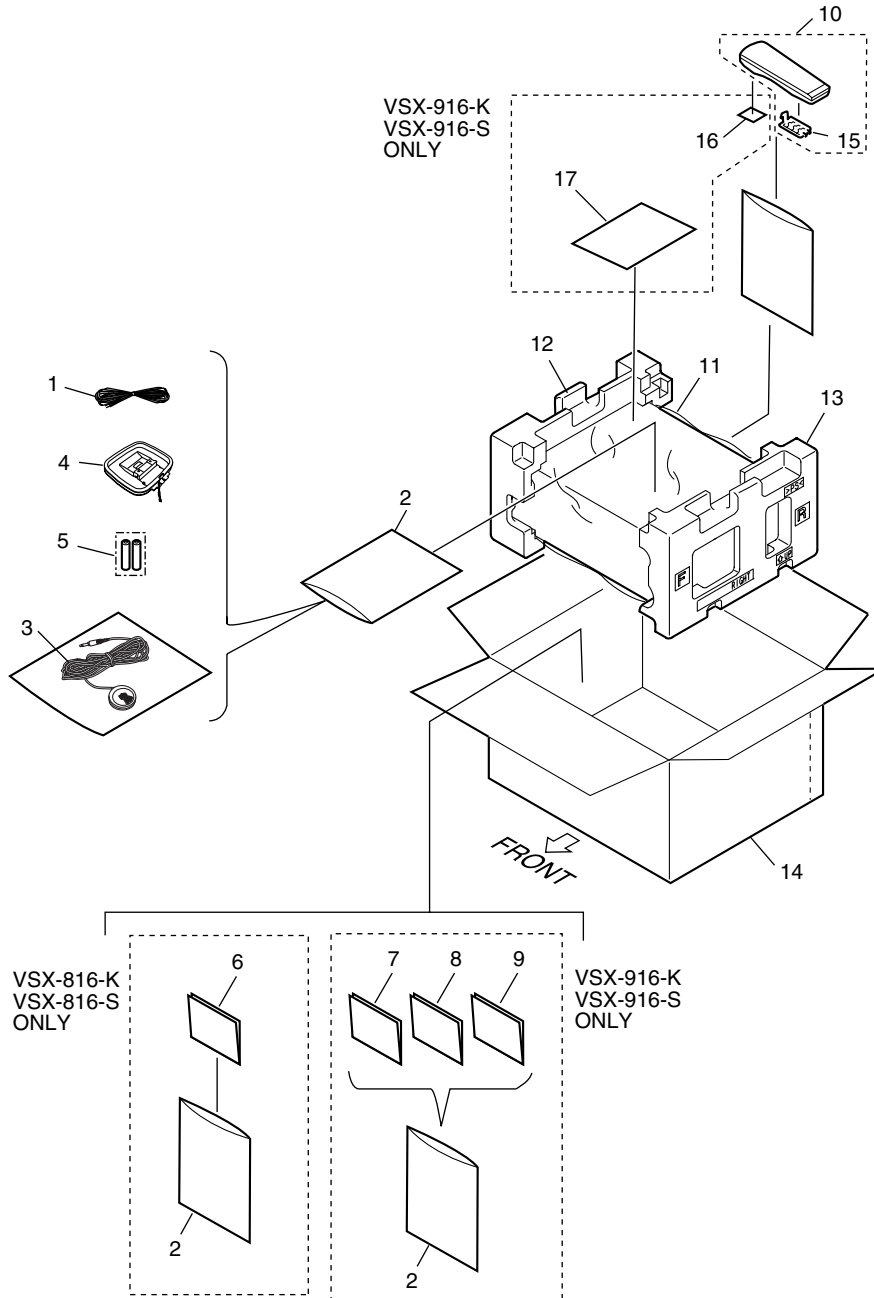
## Note

- <sup>1</sup> Continuous average power output of 110 watts\* per channel, min., at 8ohms, from 20 Hz to 20 000 Hz with no more than 0.7 %\*\* total harmonic distortion (front).  
\* Measured pursuant to the Federal Trade Commission's Trade Regulation rule on Power Output Claims for Amplifiers.  
\*\* Measured by Audio Spectrum Analyzer.

# 2. EXPLODED VIEWS AND PARTS LIST

- NOTES:**
- Parts marked by "NSP" are generally unavailable because they are not in our Master Spare Parts List.
  - The  mark found on some component parts indicates the importance of the safety factor of the part. Therefore, when replacing, be sure to use parts of identical designation.
  - Screws adjacent to  mark on product are used for disassembly.
  - For the applying amount of lubricants or glue, follow the instructions in this manual. (In the case of no amount instructions, apply as you think it appropriate.)

## 2.1 PACKING



**(1) PACKING SECTION PARTS LIST**

<u>Mark No.</u>	<u>Description</u>	<u>Part No.</u>	<u>Mark No.</u>	<u>Description</u>	<u>Part No.</u>
1	FM Antenna	ADH7030	11	Packing Sheet	AHG7069
NSP 2	Polyethylene Bag	See Contrast table(2)	12	Left Pad V3	XHA3158
3	Microphone Assy	APM7008	13	Right Pad V3	XHA3159
4	AM Loop Antenna	ATB7013	14	Packing Case	See Contrast table(2)
NSP 5	Battery (AA/R6) 2P	XEX3001	15	Battery Cover	XZN3140
6	Operating Instructions (English)	See Contrast table(2)	16	Label (WEEE)	See Contrast table(2)
7	Operating Instructions (English/Italian)	See Contrast table(2)	NSP 17	Warranty Card	See Contrast table(2)
8	Operating Instructions (French/German)	See Contrast table(2)			
9	Operating Instructions (Dutch/Spanish)	See Contrast table(2)			
10	Remote control	See Contrast table(2)			

**(2) CONTRAST TABLE**

VSX-816-S/KUXJ/CA, VSX-916-K/MYXJ5, VSX-916-S/MYXJ5 and VSX-816-K/KUXJ/CA are constructed the same except for the following:

Mark	No.	Symbol and Description	VSX-816-K /KUXJ/CA	VSX-816-S /KUXJ/CA	VSX-916-K /MYXJ5	VSX-916-S /MYXJ5
NSP	2	Polyethylene Bag	AHG7117	AHG7117	Z21-038	Z21-038
	6	Operating Instructions (English)	XR3056	XR3056	Not used	Not used
	7	Operating Instructions (English/Italian)	Not used	Not used	XRE3117	XRE3117
	8	Operating Instructions (French/German)	Not used	Not used	XRC3226	XRC3226
	9	Operating Instructions (Dutch/Spanish)	Not used	Not used	XRC3225	XRC3225
	10	Remote control	XXD3105	XXD3105	XXD3107	XXD3107
	14	Packing Case	XHD3576	XHD3583	XHD3587	XHD3588
	16	Label (WEEE)	Not used	Not used	ARW7322	ARW7322
NSP	17	Warranty Card	Not used	Not used	ARY7065	ARY7065

# 2.2 EXTERIOR SECTION

1 2 3 4

A

B

C

D

E

F

VSX-916-K  
VSX-916-S  
ONLY

VSX-916-K  
VSX-916-S  
ONLY

VSX-916-K  
VSX-916-S  
ONLY

VSX-916-K  
VSX-916-S  
ONLY

VSX-816-K  
VSX-816-S  
ONLY

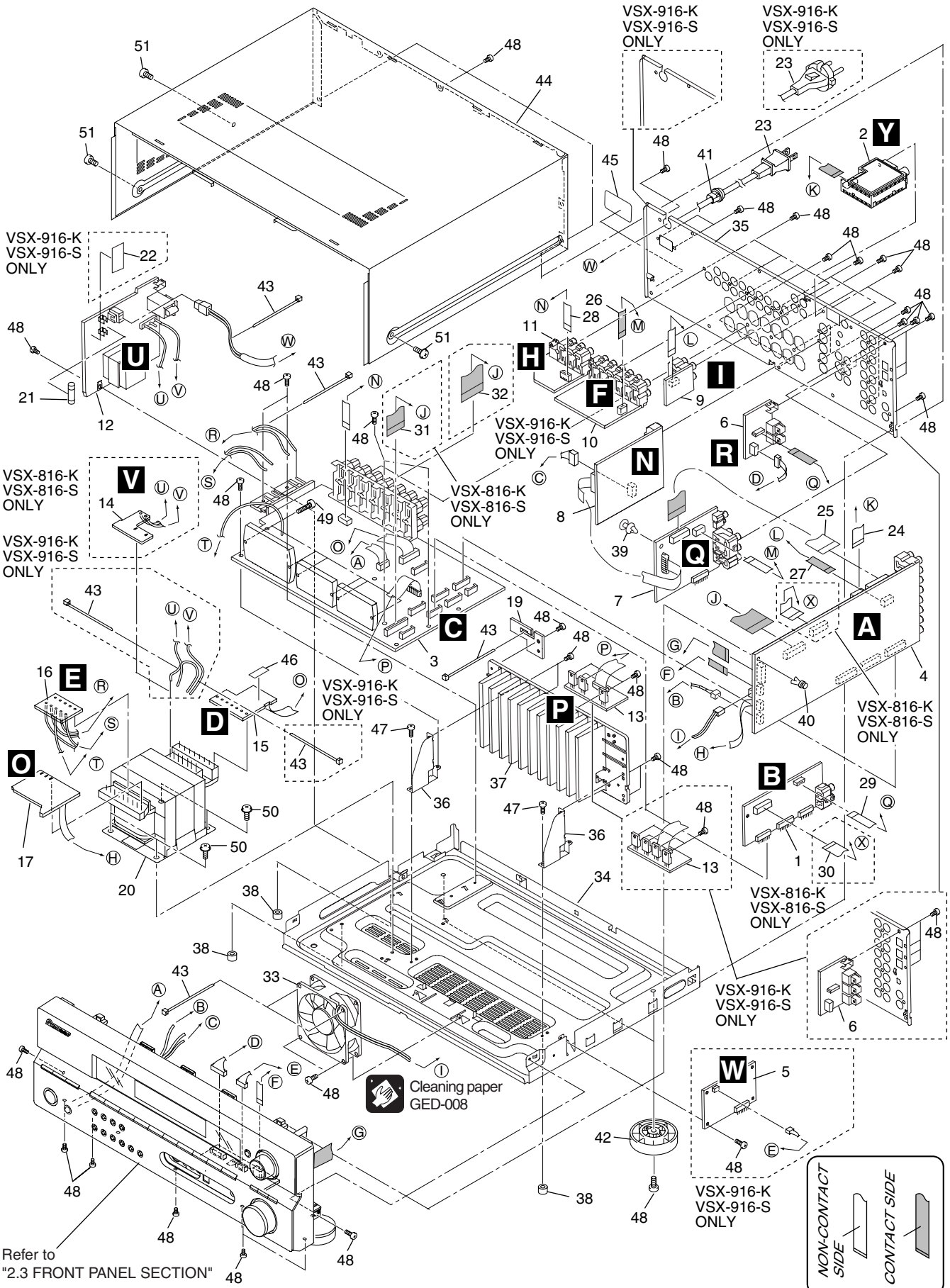
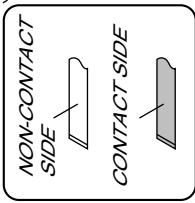
VSX-916-K  
VSX-916-S  
ONLY

VSX-816-K  
VSX-816-S  
ONLY

VSX-816-K  
VSX-816-S  
ONLY

VSX-916-K  
VSX-916-S  
ONLY

VSX-916-K  
VSX-916-S  
ONLY



Refer to "2.3 FRONT PANEL SECTION"



**(1) EXTERIOR SECTION PARTS LIST**

Mark No.	Description	Part No.	Mark No.	Description	Part No.
1	DSP ASSY	See Contrast table(2)	26	7P F. F. C/30V	XDD3192
2	FM/AM TUNER UNIT	See Contrast table(2)	27	7P F. F. C/30V	XDD3191
3	POWER PACK ASSY	See Contrast table(2)	28	8P F. F. C/30V	XDD3195
4	MAIN ASSY	See Contrast table(2)	29	10P F. F. C/30V	XDD3196
5	USB ASSY	See Contrast table(2)	30	12P F. F. C/30V	See Contrast table(2)
6	DIGITAL IN ASSY	See Contrast table(2)	31	17P F. F. C/30V	See Contrast table(2)
7	VIDEO ASSY	XWZ4062	32	25P F. F. C/30V	See Contrast table(2)
8	S VIDEO ASSY	XWZ4065	33	DC Fan Motor	XXM3012
9	5.1 CH IN ASSY	XWZ4069	NSP 34	Chassis	XNA3026
10	COMPONENT VIDEO ASSY	XWZ4097	35	R Panel	See Contrast table(2)
11	PRE-OUT ASSY	See Contrast table(2)	36	H/S Angle V3	XNG3145
12	PRIMARY ASSY	See Contrast table(2)	NSP 37	H/Sink	XNH3043
13	REGULATOR ASSY	See Contrast table(2)	NSP 38	Spacer	AEB7092
14	TRANS 1 ASSY	See Contrast table(2)	NSP 39	PCB Spacer	AEC7156
15	TRANS 2 ASSY	See Contrast table(2)	40	Push Rivet	AEC7205
16	TRANS 3 ASSY	XWZ4079	41	Cord Stopper	See Contrast table(2)
17	TRANS 4 ASSY	XWZ4093	42	Insulator	PNW2766
18	.....		NSP 43	Binder (BK-1)	ZCA-BK1
19	BINDER ASSY	XWZ4199	44	Bonnet	See Contrast table(2)
⚠ 20	Transformer	See Contrast table(2)	NSP 45	Label	VRW1629
⚠ 21	Fuse	See Contrast table(2)	46	ICP Label	See Contrast table(2)
22	Fuse Card	See Contrast table(2)	47	Screw	BBZ30P060FCC
⚠ 23	AC Power Cord	See Contrast table(2)	48	Screw	BBZ30P080FNI
24	11P F. F. C/30V	XDD3189	49	Screw	BBZ30P140FTC
25	19P F. F. C/30V	XDD3190	50	Screw	BBZ40P080FNI
			51	Screw	See Contrast table(2)

**(2) CONTRAST TABLE**

VSX-816-S/KUXJ/CA, VSX-916-K/MYXJ5, VSX-916-S/MYXJ5 and VSX-816-K/KUXJ/CA are constructed the same except for the following:

Mark	No.	Symbol and Description	VSX-816-K /KUXJ/CA	VSX-816-S /KUXJ/CA	VSX-916-K /MYXJ5	VSX-916-S /MYXJ5
	1	DSP ASSY	AWX8699	AWX8699	AWX8572	AWX8572
	2	FM/AM TUNER UNIT	AXX7210	AXX7210	AXX7170	AXX7170
	3	POWER PACK ASSY	XWZ4087	XWZ4087	XWZ4088	XWZ4088
	4	MAIN ASSY	XWK3233	XWK3233	XWK3234	XWK3234
	5	USB ASSY	Not used	Not used	AWX8704	AWX8704
	6	DIGITAL IN ASSY	XWZ4067	XWZ4067	XWZ4068	XWZ4068
	11	PRE-OUT ASSY	XWZ4098	XWZ4098	XWZ4200	XWZ4200
	12	PRIMARY ASSY	XWZ4072	XWZ4072	XWZ4073	XWZ4073
	13	REGULATOR ASSY	XWZ4129	XWZ4129	XWZ4116	XWZ4116
	14	TRANS 1 ASSY	XWZ4078	XWZ4078	Not used	Not used
	15	TRANS 2 ASSY	XWZ4166	XWZ4166	XWZ4092	XWZ4092
⚠	20	Transformer	XTS3101	XTS3101	XTS3102	XTS3102
⚠	21	Fuse (10A)	REK1154	REK1154	Not used	Not used
⚠	21	Fuse (T3.15A)	Not used	Not used	REK1027	REK1027
	22	Fuse Card	Not used	Not used	AAX7493	AAX7493
⚠	23	AC Power Cord	ADG7024	ADG7024	VDG1080	VDG1080
	30	12P F. F. C/30V	XDD3198	XDD3198	Not used	Not used
	31	17P F. F. C/30V	XDD3203	XDD3203	Not used	Not used
	32	25P F. F. C/30V	Not used	Not used	XDD3201	XDD3201
	35	R Panel	XNC3409	XNC3426	XNC3410	XNC3428
	41	Cord Stopper	CM-22-C	CM-22-C	CM-22-B	CM-22-B
	44	Bonnet	XZN3183	XZN3184	XZN3183	XZN3184
	46	ICP Level	XAX3120	XAX3120	XAX3121	XAX3121
	51	Screw	BBZ30P080FTB	BBZ30P080FNI	BBZ30P080FTB	BBZ30P080FNI

# 2.3 FRONT PANEL SECTION

1

2

3

4

A

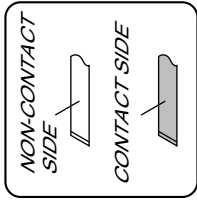
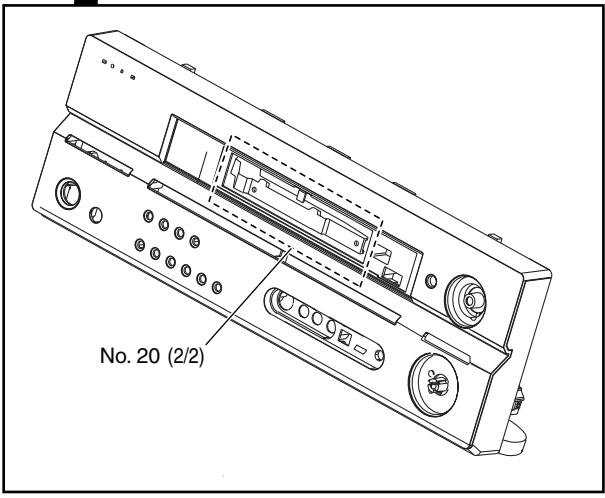
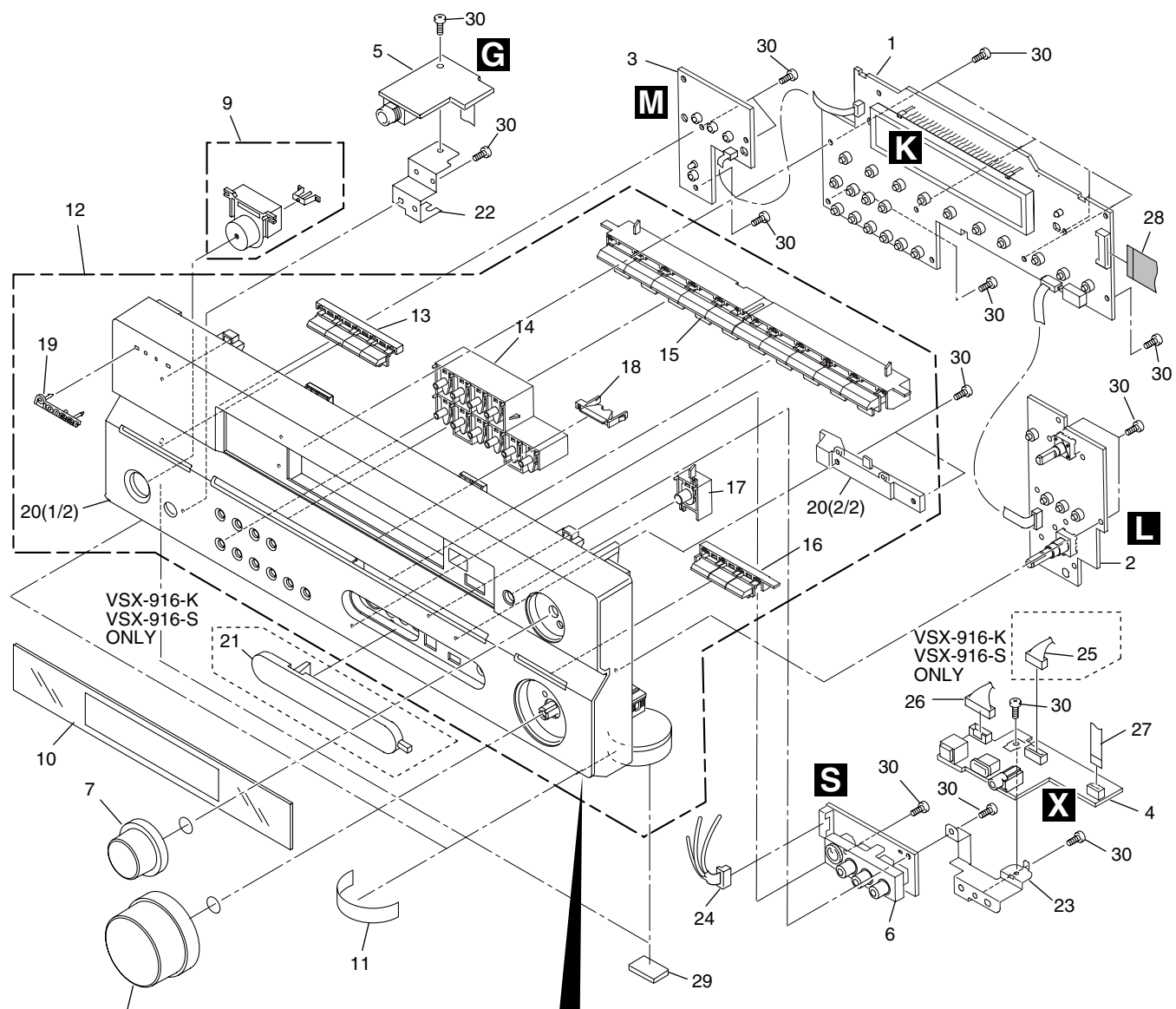
B

C

D

E

F



10

1

2

3

4

VSX-816-K

**(1) FRONT PANEL SECTION PARTS LIST**

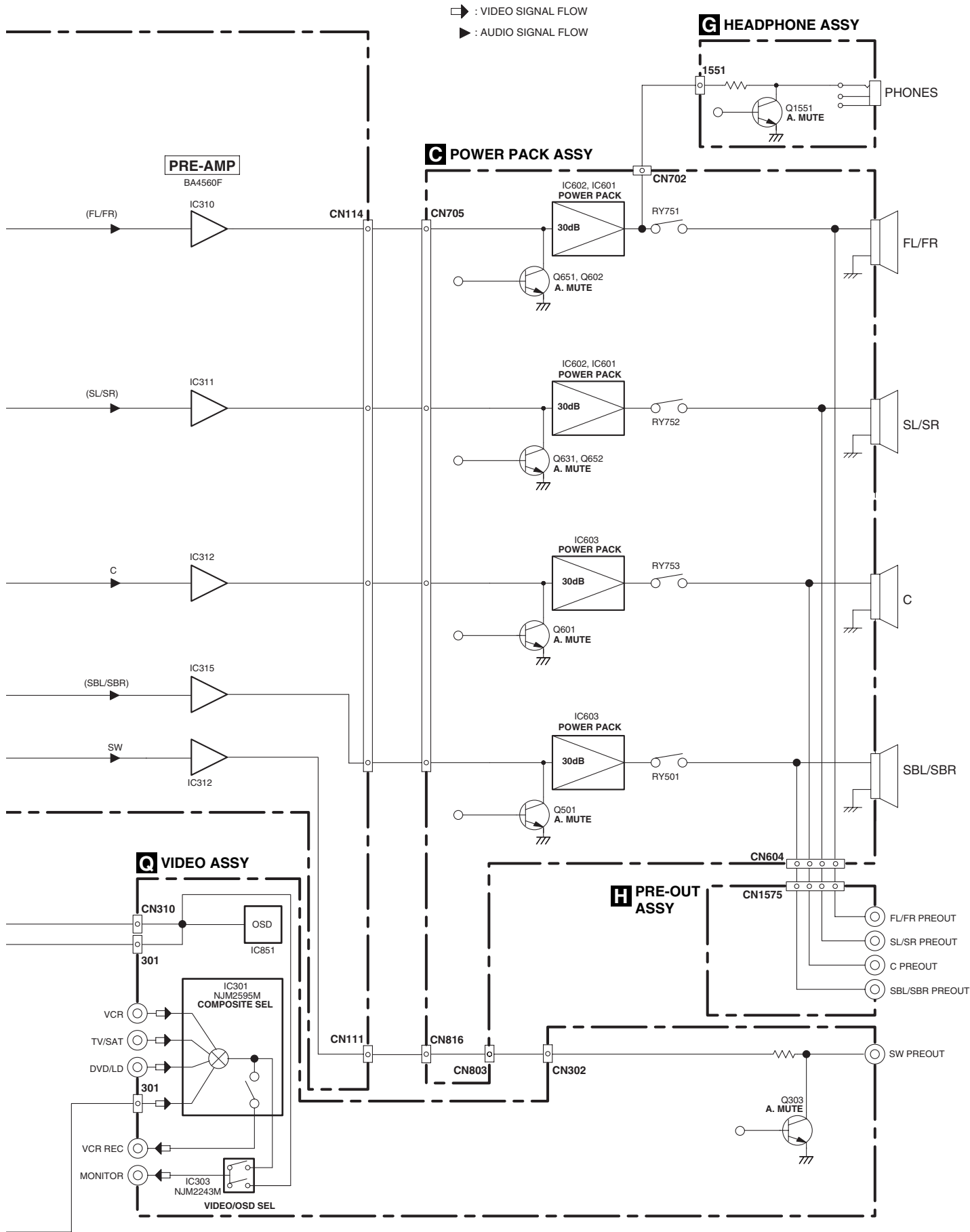
<u>Mark No.</u>	<u>Description</u>	<u>Part No.</u>	<u>Mark No.</u>	<u>Description</u>	<u>Part No.</u>
1	FRONT DISPLAY ASSY	XWZ4054	18	C Lens V3 (PLS)	XAK3534
2	R. ENCODER ASSY	XWZ4055	19	PIONEER Badge	See Contrast table(2)
3	POWER KEY ASSY	XWZ4057	20	FRT Panel	See Contrast table(2)
4	USB IN ASSY	See Contrast table(2)			
5	HP ASSY	XWZ4095	21	Input Cover	See Contrast table(2)
			22	Earth Plate HP V2	XNG3131
6	FRONT VIDEO ASSY	XWZ4109	23	Earth Plate FR V3	XNG3144
7	JOG Knob	See Contrast table(2)	24	8P Shield Cable	XDX3026
8	VOL Knob	See Contrast table(2)	25	4P Shield Cable	See Contrast table(2)
9	STDBY BTN Assy	See Contrast table(2)			
10	D Panel V3MCACC	XAK3528	26	5P Shield Cable	XDX3027
			27	5P F.F.C/30V	XDD3199
NSP 11	Gold Foil Lavel	XAX3487	28	17P F.F.C/30V	XDD3200
NSP 12	F PANEL Assy	See Contrast table(2)	29	Rubber Sheet	AEB1111
13	Tuner BTN	See Contrast table(2)	30	Screw	BPZ30P080FTC
14	SUB BTN	See Contrast table(2)			
15	FUNC BTN	See Contrast table(2)			
16	LISTEN BTN	See Contrast table(2)			
17	JOG Button	See Contrast table(2)			

**(2) CONTRAST TABLE**

VSX-816-S/KUXJ/CA, VSX-916-K/MYXJ5, VSX-916-S/MYXJ5 and VSX-816-K/KUXJ/CA are constructed the same except for the following:

Mark	No.	Symbol and Description	VSX-816-K /KUXJ/CA	VSX-816-S /KUXJ/CA	VSX-916-K /MYXJ5	VSX-916-S /MYXJ5
NSP	4	USB IN ASSY	XWK3249	XWK3249	XWK3250	XWK3250
	7	JOG Knob	XAB3046	XAB3047	XAB3046	XAB3047
	8	VOL Knob	XAB3049	XAB3050	XAB3049	XAB3050
	9	STDBY BTN Assy	XAD3216	XAD3217	XAD3216	XAD3217
	12	F Panel Assy	XXG3240	XXG3241	XXG3242	XXG3243
	13	Tuner BTN	XAD3230	XAD3248	XAD3230	XAD3248
	14	SUB BTN	XAD3231	XAD3249	XAD3231	XAD3249
	15	FUNC BTN	XAD3232	XAD3250	XAD3232	XAD3250
	16	LISTEN BTN	XAD3233	XAD3251	XAD3233	XAD3251
	17	JOG Button	XAD3240	XAD3252	XAD3240	XAD3252
	19	PIONEER Badge	XAM3006	VAM1129	XAM3006	VAM1129
	20	FRT Panel	XMB3218	XMB3219	XMB3220	XMB3221
	21	Input Cover	Not used	Not used	XAK3532	XAK3533
	25	4P Shield Cable	Not used	Not used	XDX3028	XDX3028





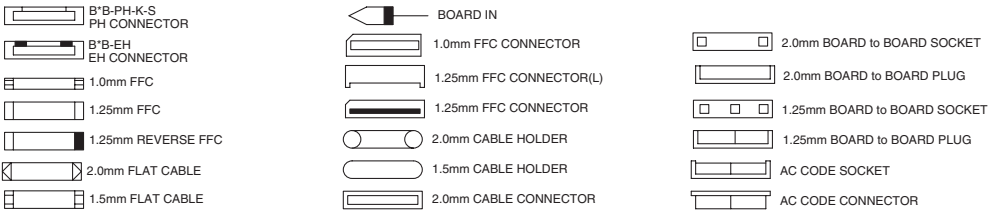
# 3.2 OVERALL WIRING CONNECTION DIAGRAM

1

2

3

4



A

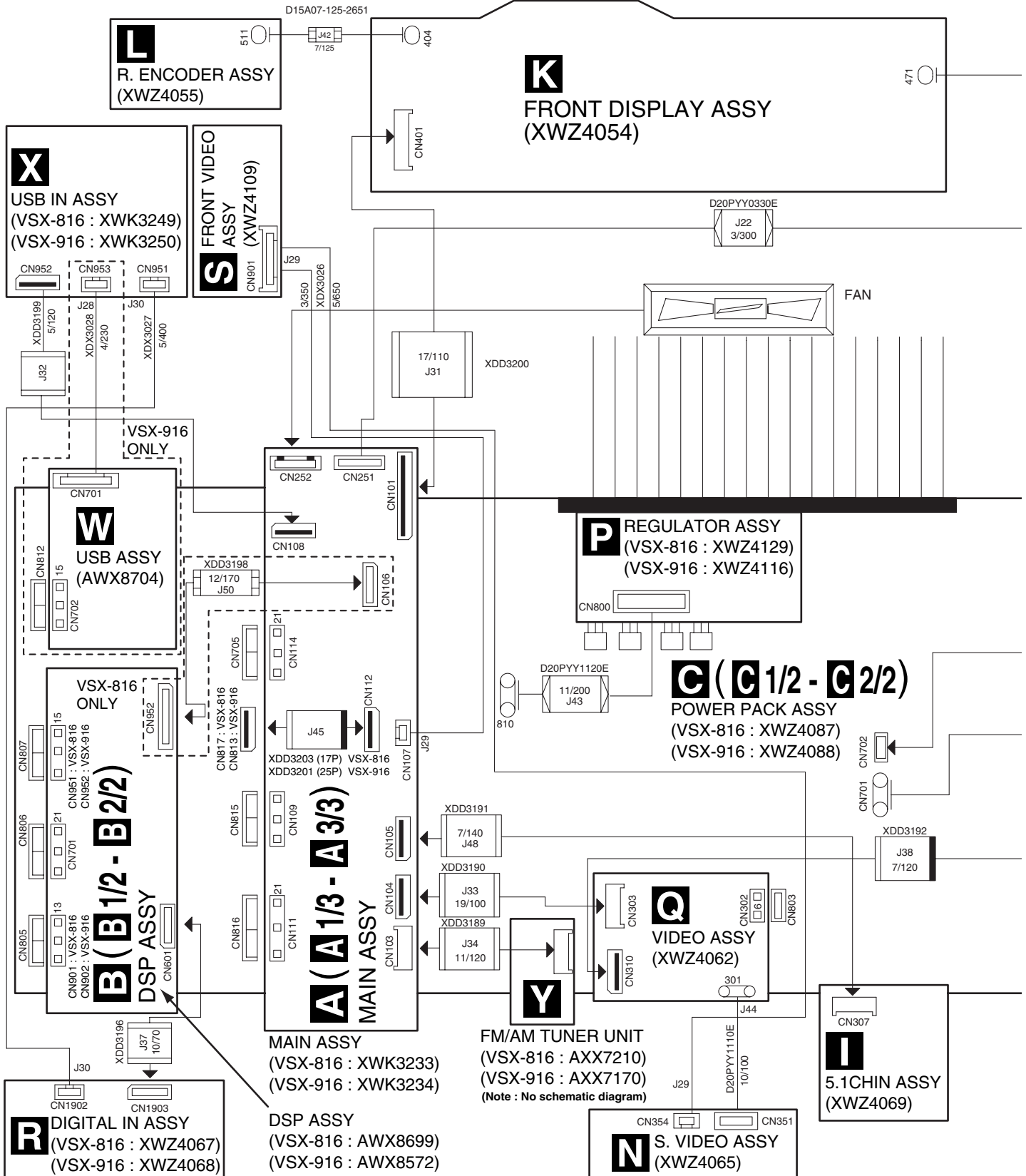
B

C

D

E

F




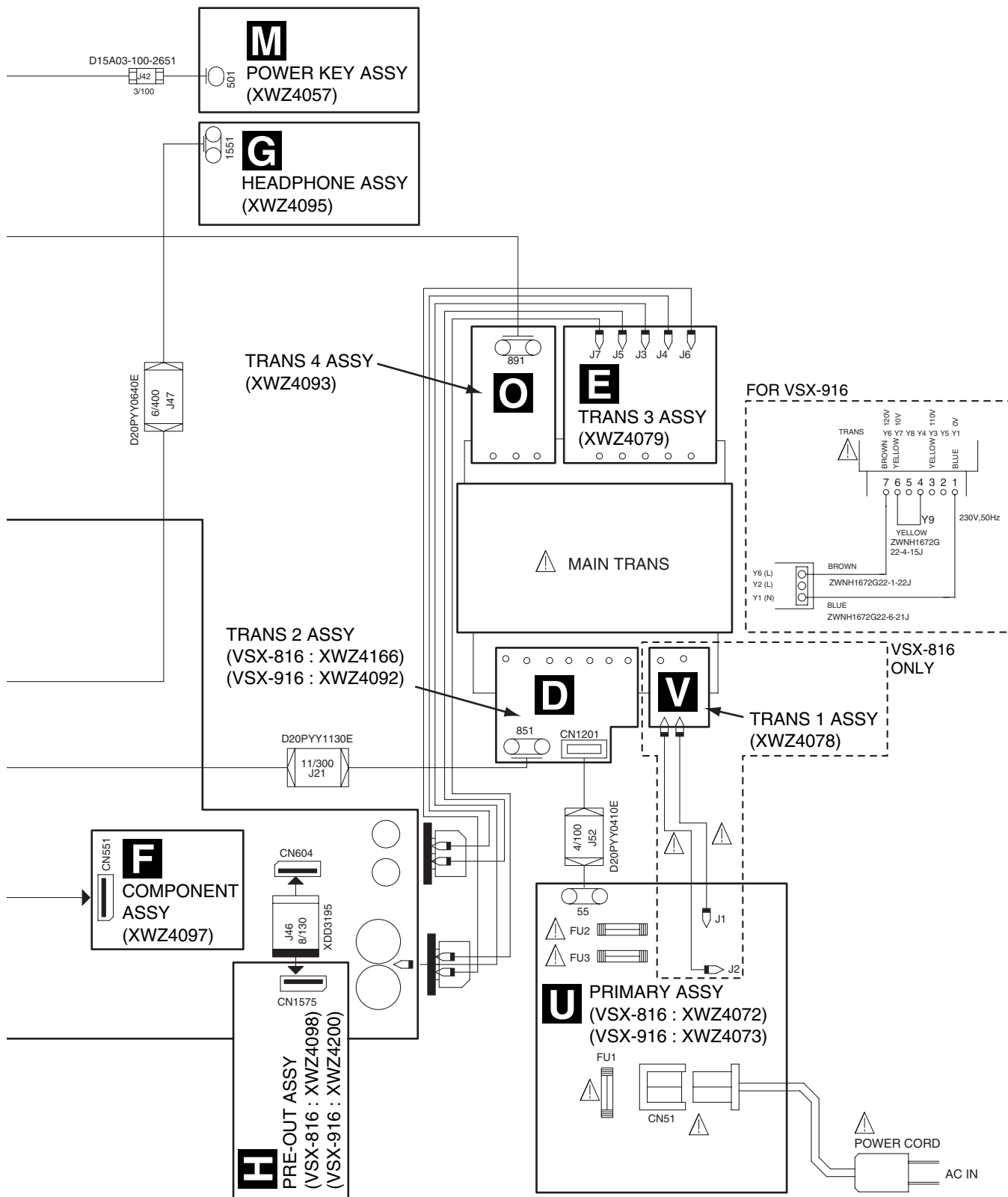
1

2

3

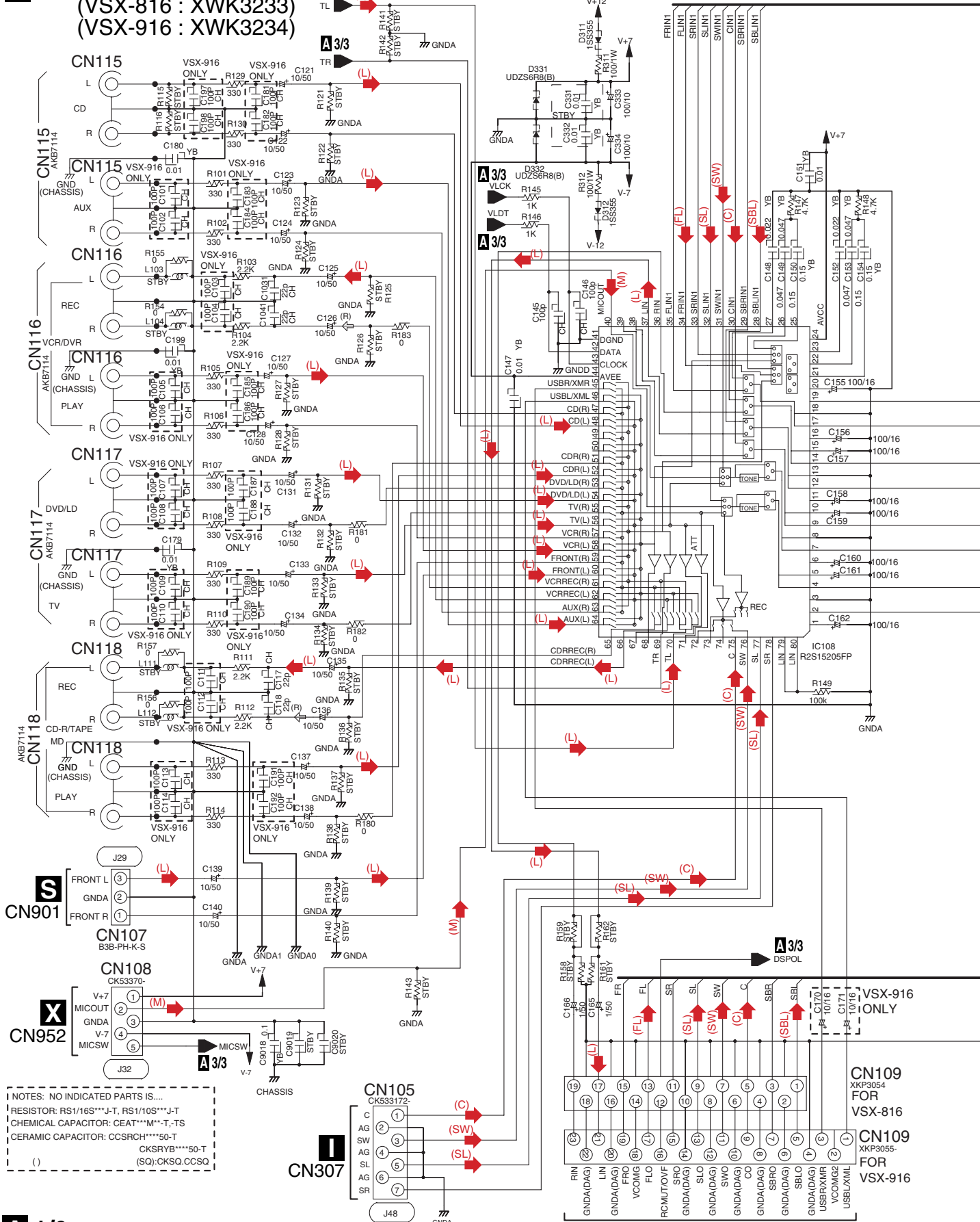
4

- When ordering service parts, be sure to refer to "EXPLODED VIEWS and PARTS LIST" or "PCB PARTS LIST".
- The ⚠ mark found on some component parts indicates the importance of the safety factor of the part. Therefore, when replacing, be sure to use parts of identical designation.
-  : The power supply is shown with the marked box.



# 3.3 MAIN ASSY (1/3)

## A 1/3 MAIN ASSY (VSX-816 : XWK3233) (VSX-916 : XWK3234)



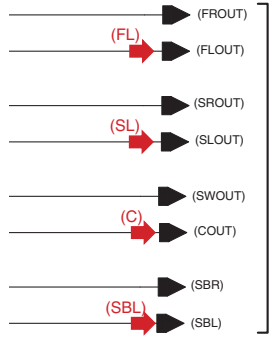
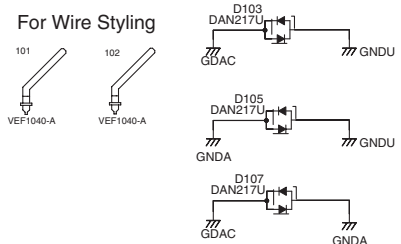
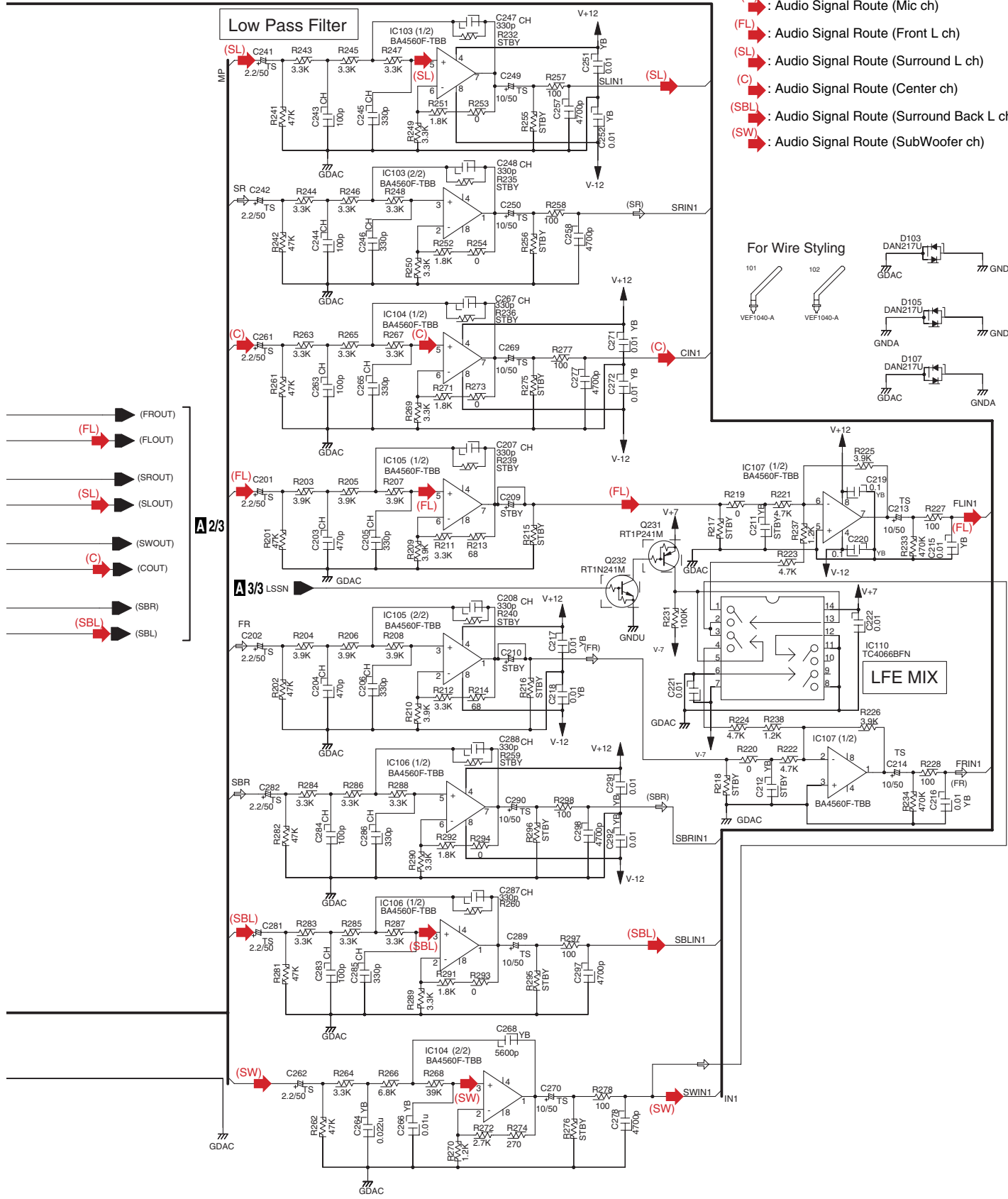
NOTES: NO INDICATED PARTS IS...  
RESISTOR: RS1/16S\*\*\*J-T, RS1/10S\*\*\*J-T  
CHEMICAL CAPACITOR: CEAT\*\*\*M-T, TS  
CERAMIC CAPACITOR: CCSRCH\*\*\*50-T  
CKSRYB\*\*\*50-T  
(SQ):CKSQ.CCSQ

## A 1/3

## G 2/2 CN815



- (L) : Audio Signal Route (L ch)
- (M) : Audio Signal Route (Mic ch)
- (FL) : Audio Signal Route (Front L ch)
- (SL) : Audio Signal Route (Surround L ch)
- (C) : Audio Signal Route (Center ch)
- (SBL) : Audio Signal Route (Surround Back L ch)
- (SW) : Audio Signal Route (SubWoofer ch)



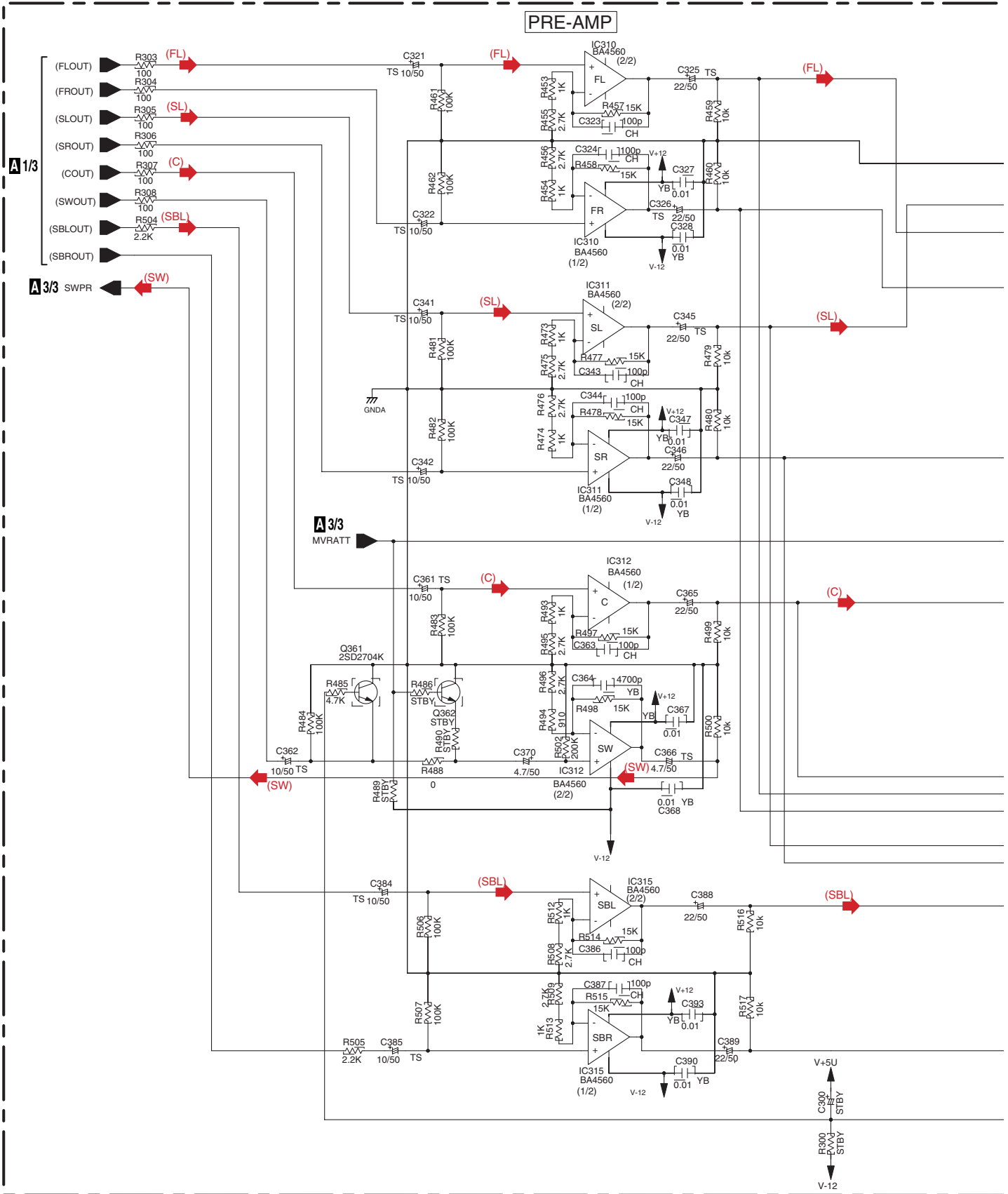
A 2/3

A 3/3 LSSN

A  
B  
C  
D  
E  
F

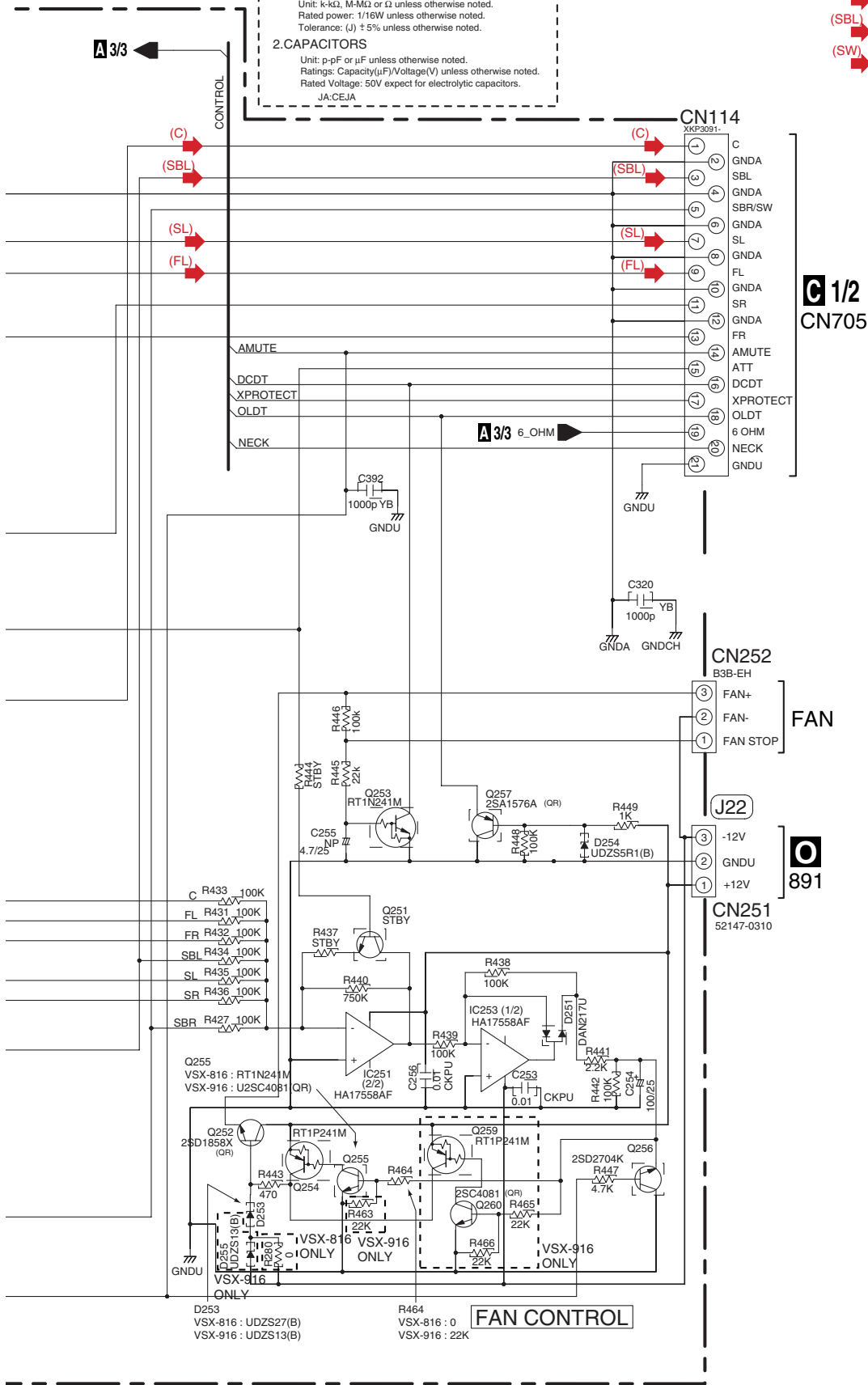
# 3.4 MAIN ASSY (2/3)

## A 2/3 MAIN ASSY (VSX-816 : XWK3233) (VSX-916 : XWK3234)



- (FL) → : Audio Signal Route (Front L ch)
- (SL) → : Audio Signal Route (Surround L ch)
- (C) → : Audio Signal Route (Center ch)
- (SBL) → : Audio Signal Route (Surround Back L ch)
- (SW) → : Audio Signal Route (SubWoofer ch)

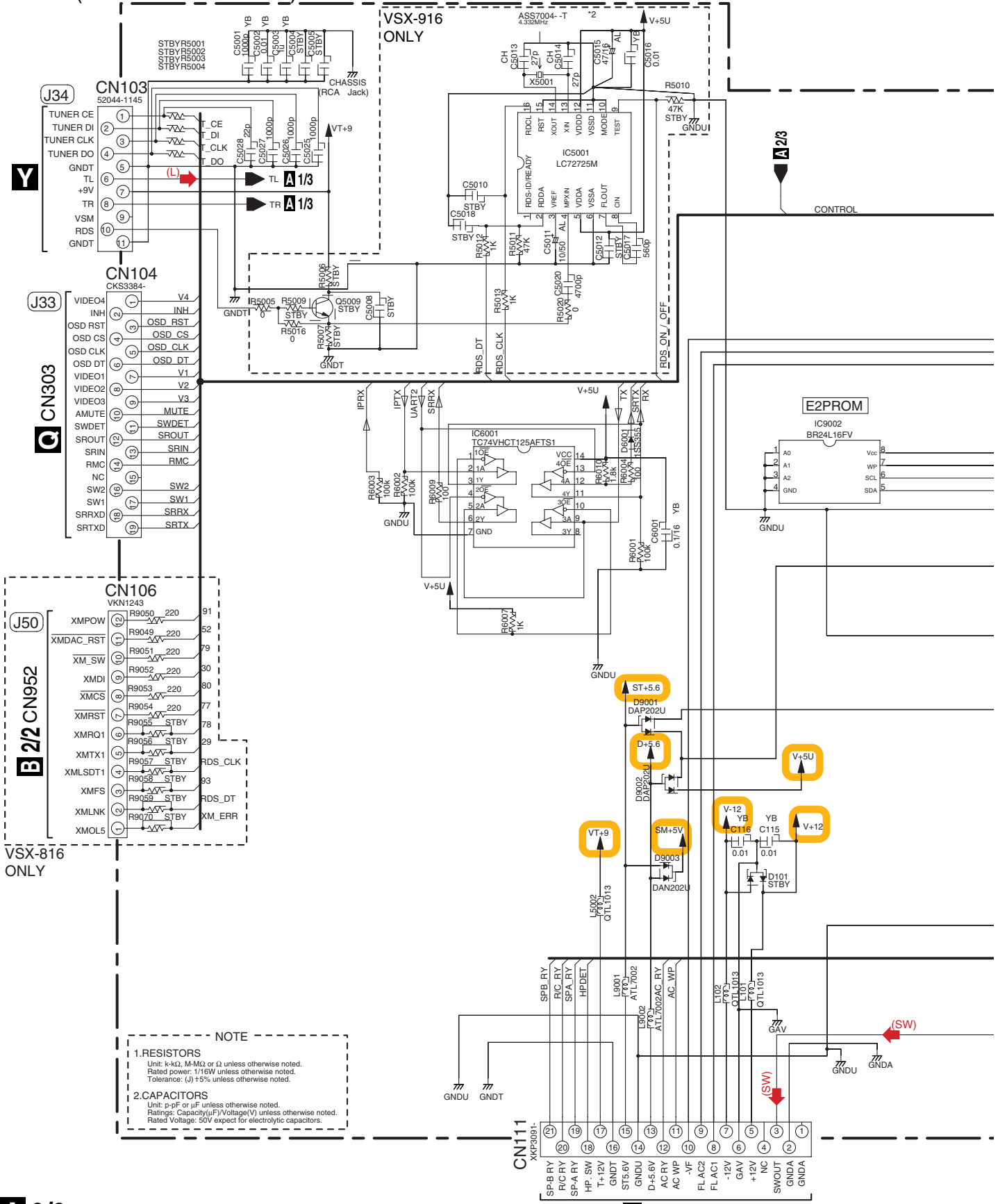
**NOTE**  
**1.RESISTORS**  
 Unit: k-kΩ, M-MΩ or Ω unless otherwise noted.  
 Rated power: 1/16W unless otherwise noted.  
 Tolerance: (J) ± 5% unless otherwise noted.  
**2.CAPACITORS**  
 Unit: p-pF or μF unless otherwise noted.  
 Ratings: Capacity(μF)/Voltage(V) unless otherwise noted.  
 Rated Voltage: 50V expect for electrolytic capacitors.  
 JA:CEJA



# 3.5 MAIN ASSY (3/3)

## A 3/3 MAIN ASSY (VSX-816 : XWK3233) (VSX-916 : XWK3234)

A  
B  
C  
D  
E  
F



## A 3/3

## C 2/2 CN816



# 3.6 DSP ASSY (1/2) (for VSX-816)

## B 1/2 DSP ASSY (AWX8699)

- (L) : Audio Signal Route (L ch)
- (FL) : Audio Signal Route (Front L ch)
- (SL) : Audio Signal Route (Surround L ch)
- (C) : Audio Signal Route (Center ch)
- (SBL) : Audio Signal Route (Surround Back L ch)
- (SW) : Audio Signal Route (SubWoofer ch)

A

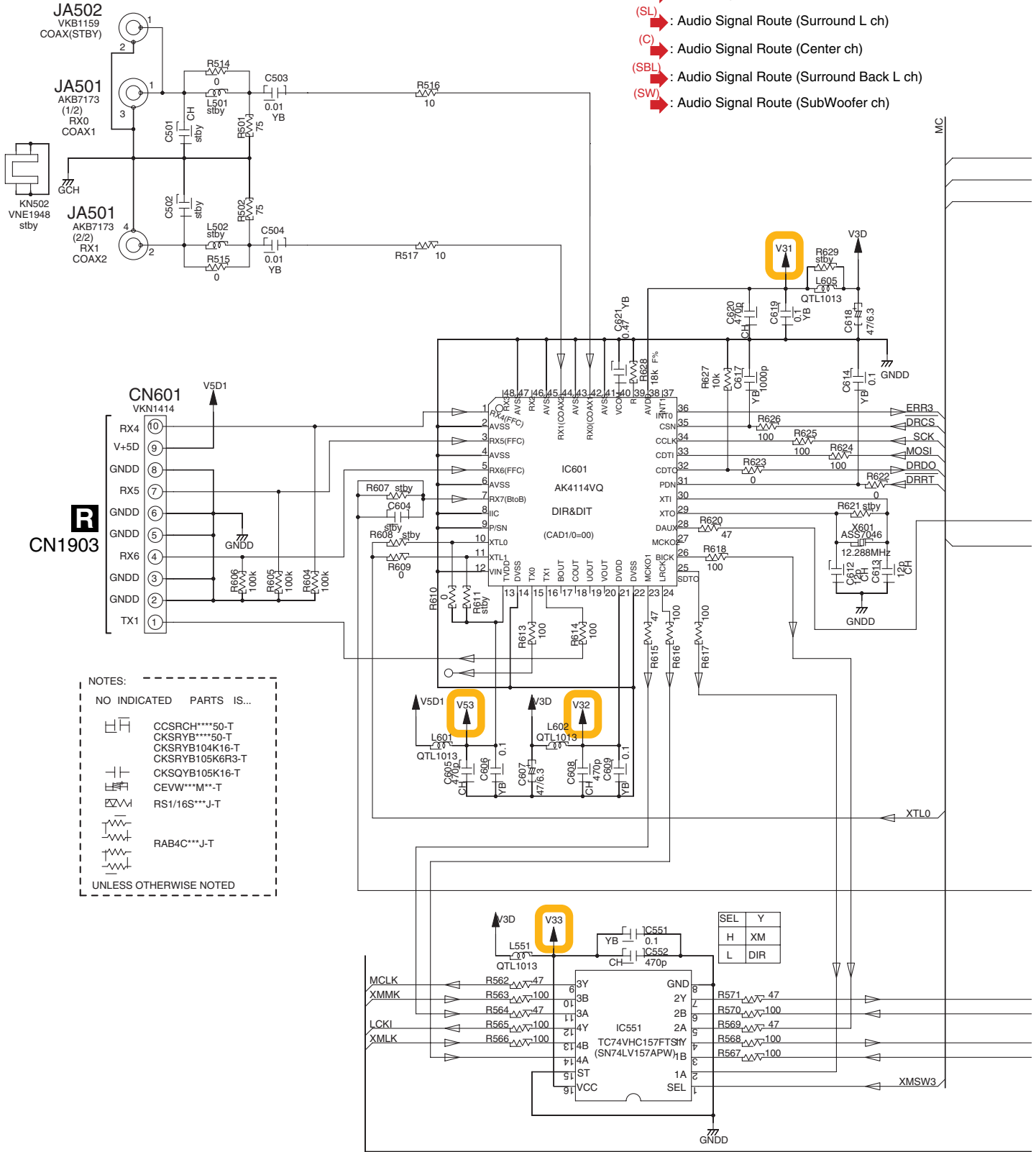
B

C

D

E

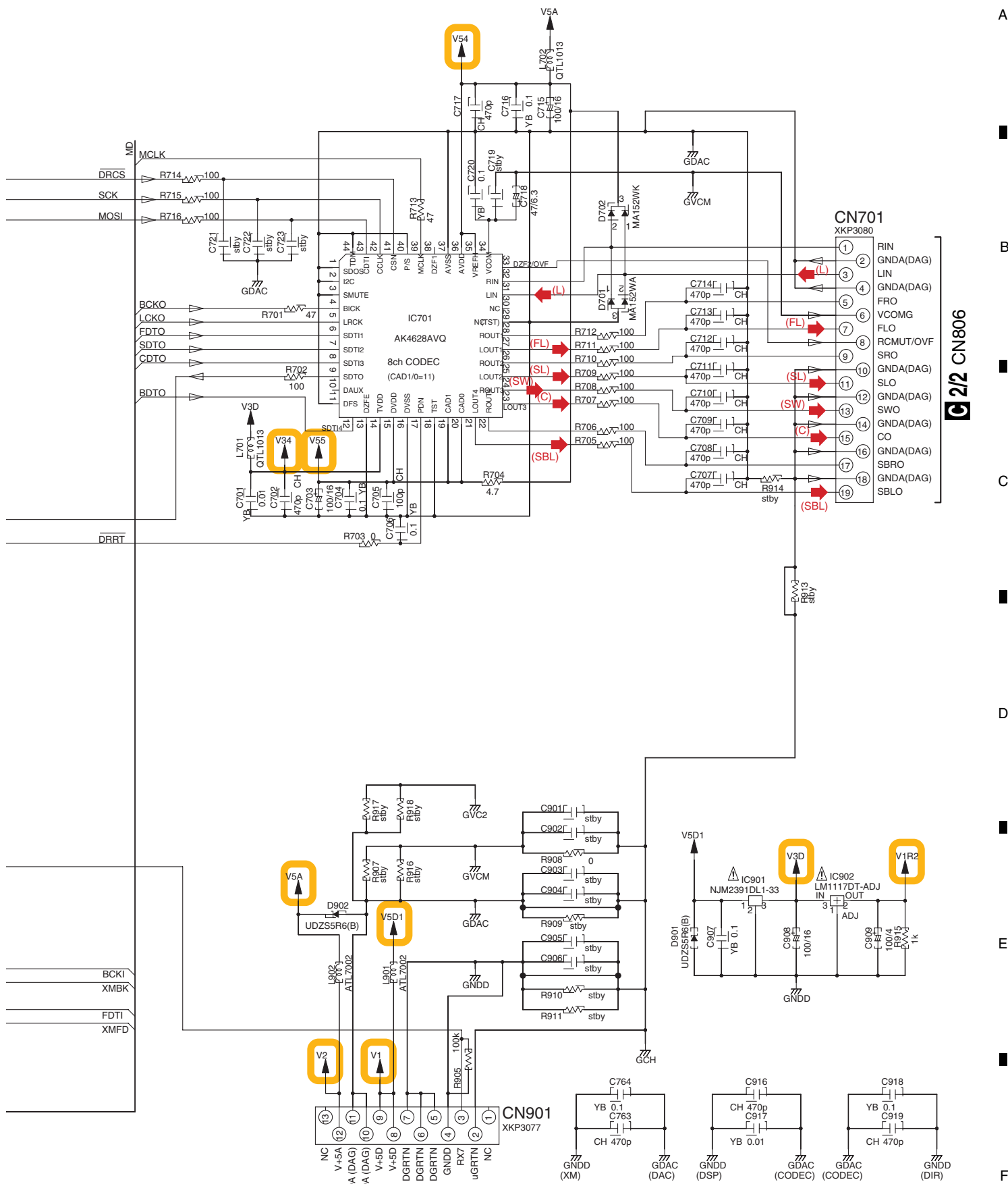
F



NOTES:  
 NO INDICATED PARTS IS...  
 [Symbol] CCSRCH\*\*\*\*50-T  
 [Symbol] CKSRYB\*\*\*\*50-T  
 [Symbol] CKSRYB104K16-T  
 [Symbol] CKSRYB105K6R3-T  
 [Symbol] CKSQYB105K16-T  
 [Symbol] CEVW\*\*\*\*M\*-T  
 [Symbol] RS1/16S\*\*\*J-T  
 [Symbol] RAB4C\*\*\*J-T  
 UNLESS OTHERWISE NOTED

SEL	Y
H	XM
L	DIR

## B 1/2



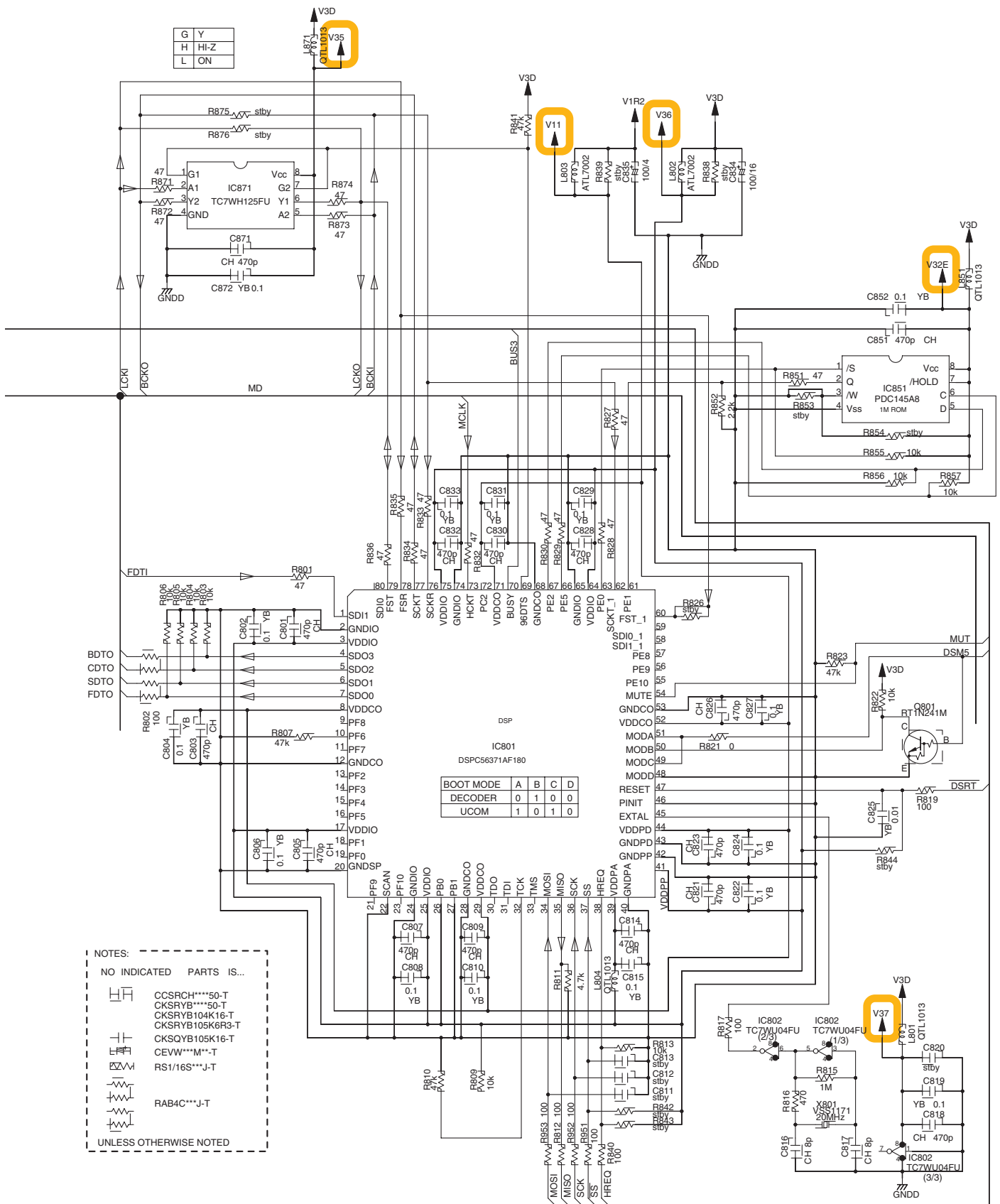
C 2/2 CN805

B 1/2

VSX-816-K







NOTES:  
 NO INDICATED PARTS IS...  
 CCSRCH\*\*\*50-T  
 CKSRYB\*\*\*50-T  
 CKSRYB104K16-T  
 CKSRYB105K6R3-T  
 CKSQYB105K16-T  
 CEVW\*\*\*M\*\*-T  
 RS1/16S\*\*\*J-T  
 RAB4C\*\*\*J-T  
 UNLESS OTHERWISE NOTED

# 3.8 DSP ASSY (1/2) (for VSX-916)

## B 1/2 DSP ASSY (AWX8572)

A

B

C

D

E

F

R CN1903

NOTES:

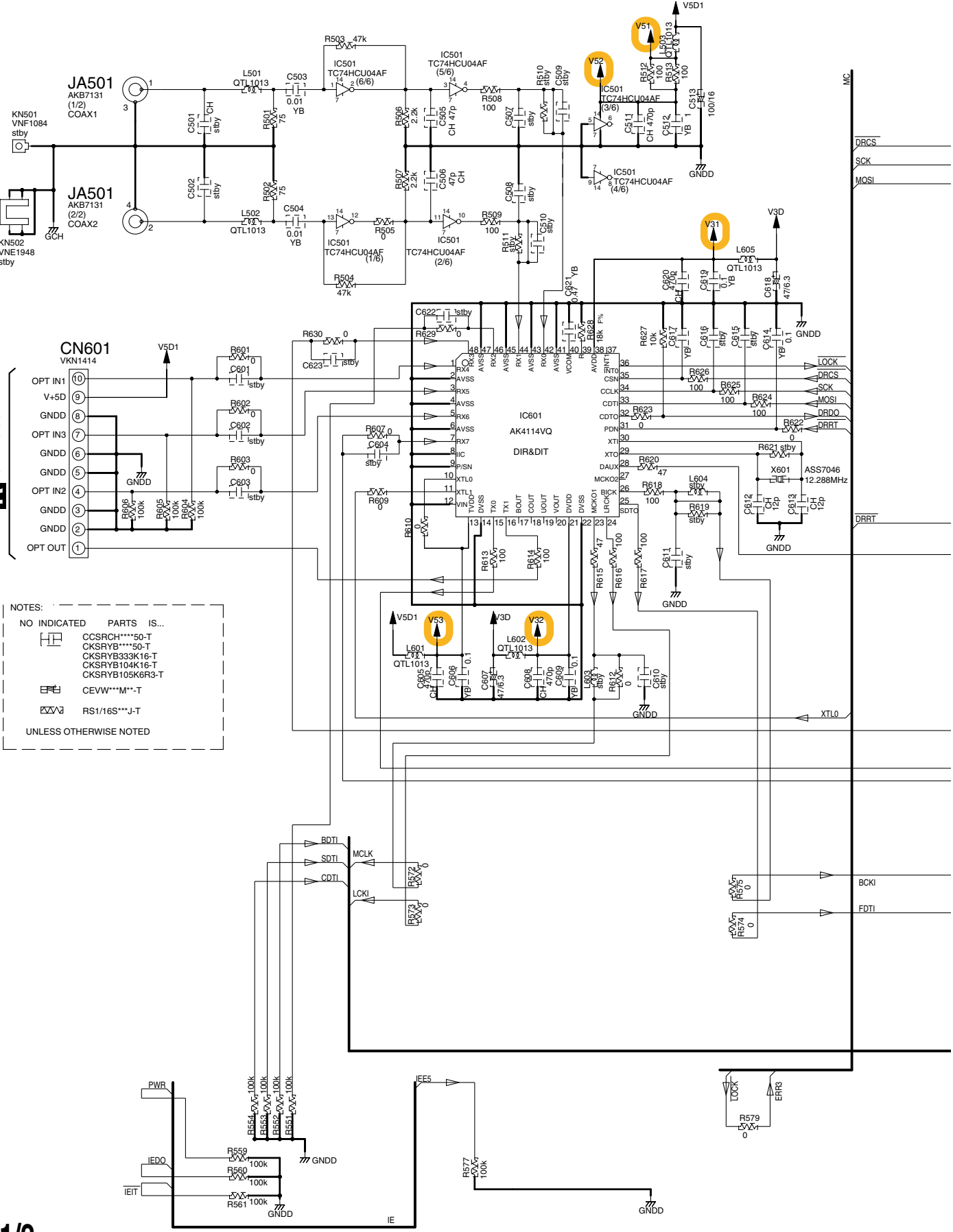
NO INDICATED PARTS IS...

CCSRCH\*\*\*50-T  
 CKSRYB\*\*\*50-T  
 CKSRYB333K16-T  
 CKSRYB104K16-T  
 CKSRYB105K6R3-T

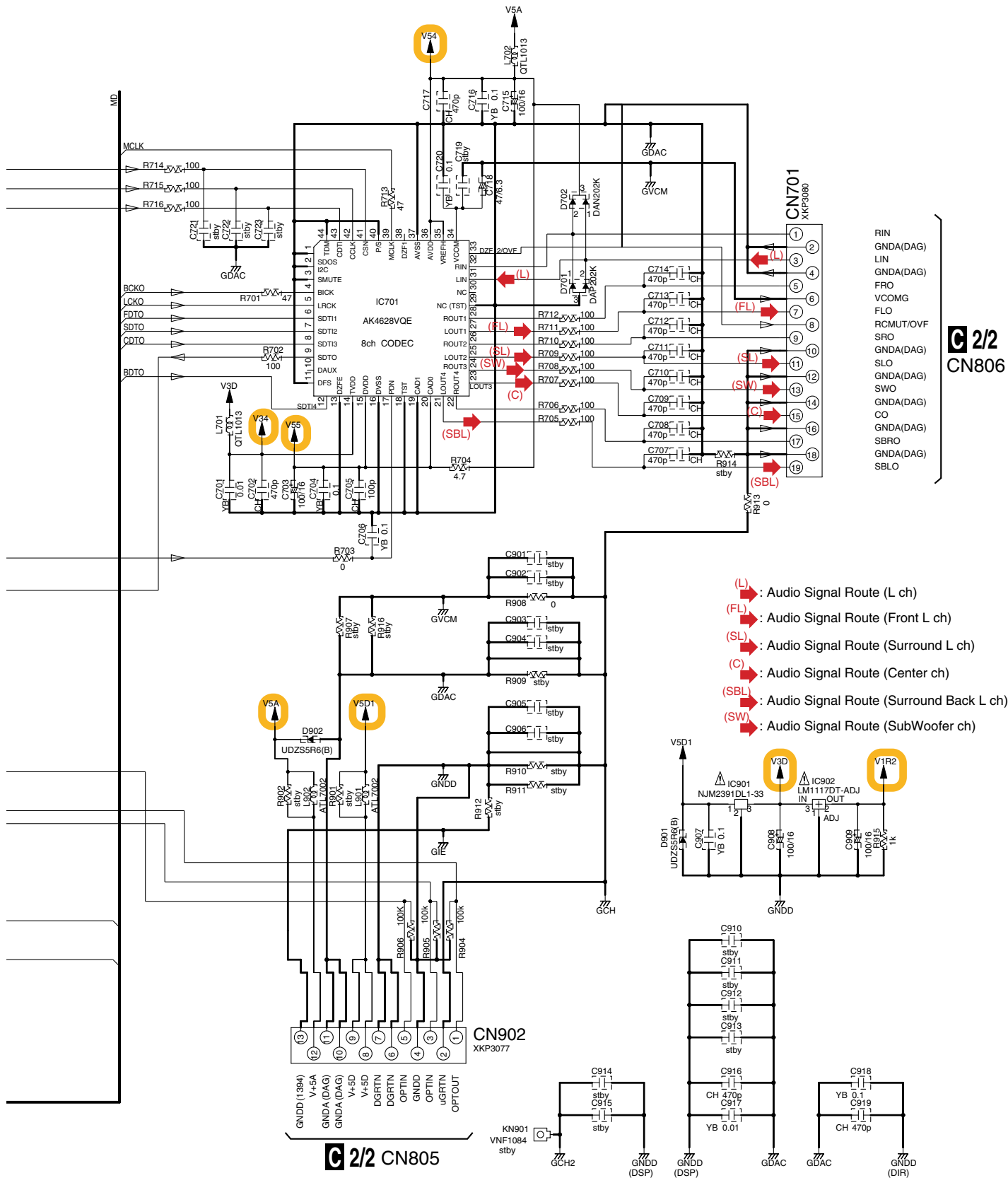
CEVW\*\*\*M\*\*-T

RS1/16S\*\*\*J-T

UNLESS OTHERWISE NOTED

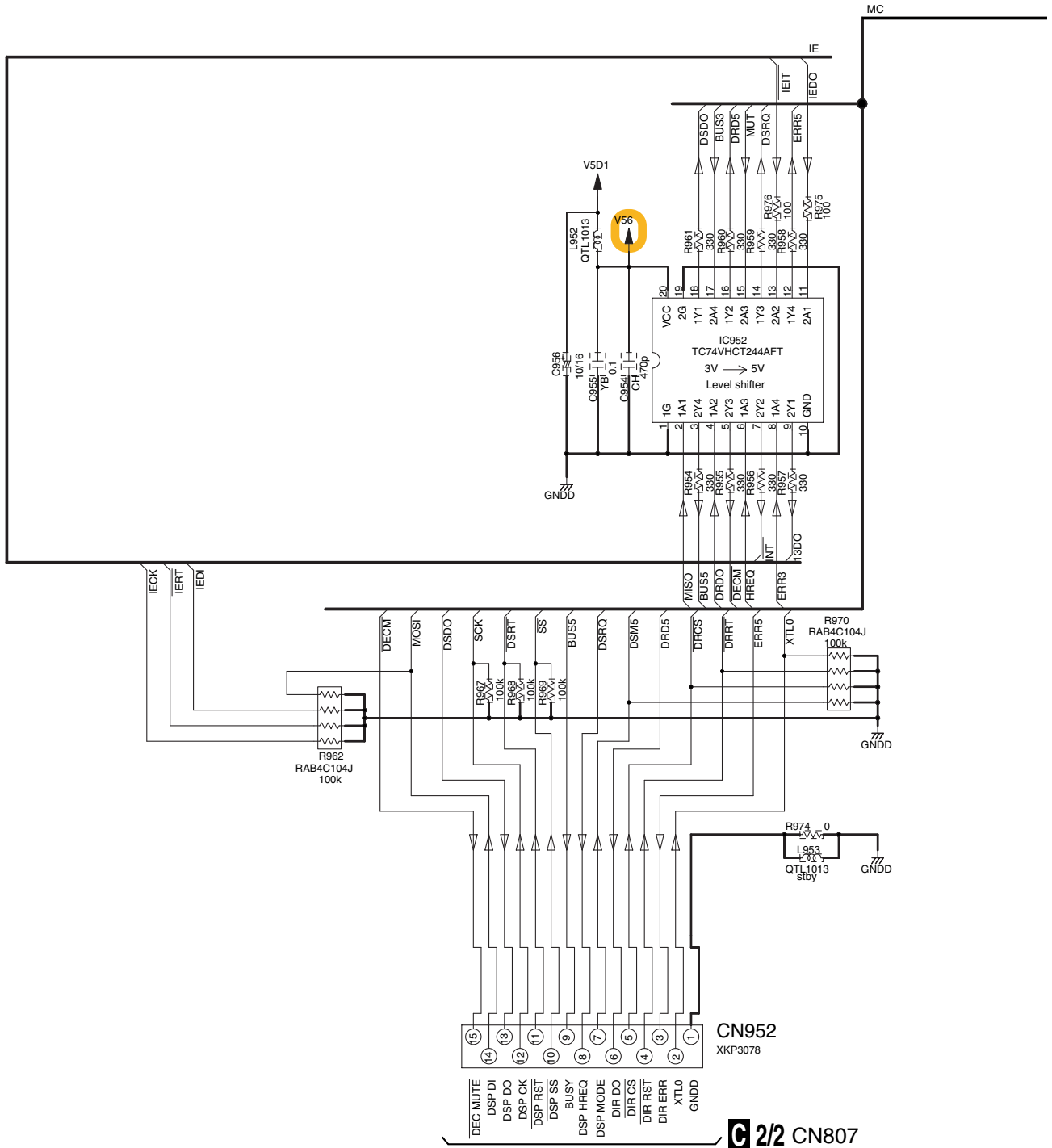


## B 1/2



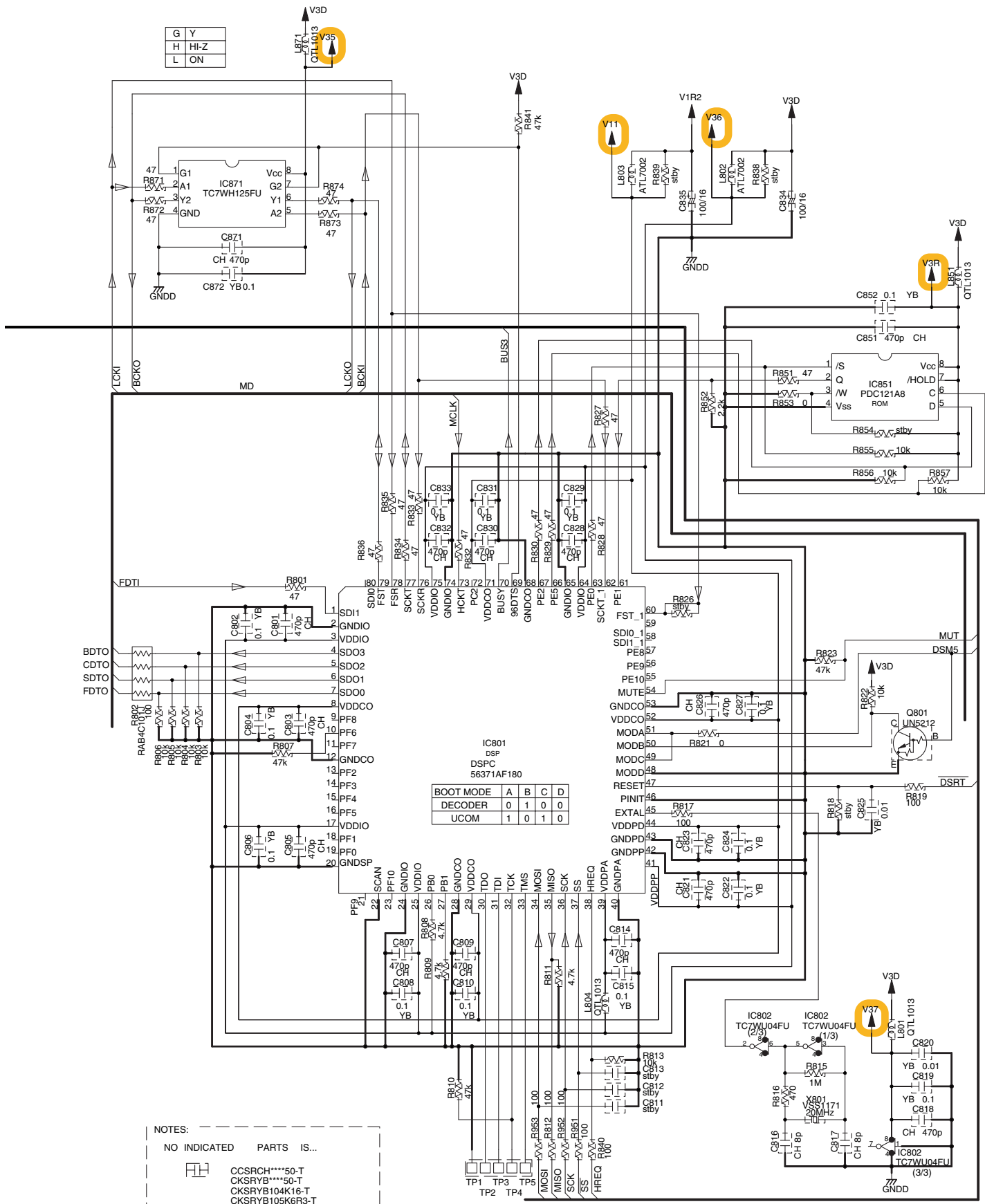
### 3.9 DSP ASSY (2/2) (for VSX-916)

#### B 2/2 DSP ASSY (AWX8572)



#### B 2/2

#### C 2/2 CN807



NOTES:  
 NO INDICATED PARTS IS...  
 CCSRCH\*\*\*50-T  
 CKSRYB\*\*\*50-T  
 CKSRYB104K16-T  
 CKSRYB105K6R3-T  
 CEVW\*\*\*M\*\*-T  
 RS1/16S\*\*\*J-T  
 UNLESS OTHERWISE NOTED

# 3.10 POWER PACK (1/2), TRANS 2 and TRANS 3 ASSYS

## C 1/2 POWER PACK ASSY (VSX-816 : XWZ4087) (VSX-916 : XWZ4088)

A

B

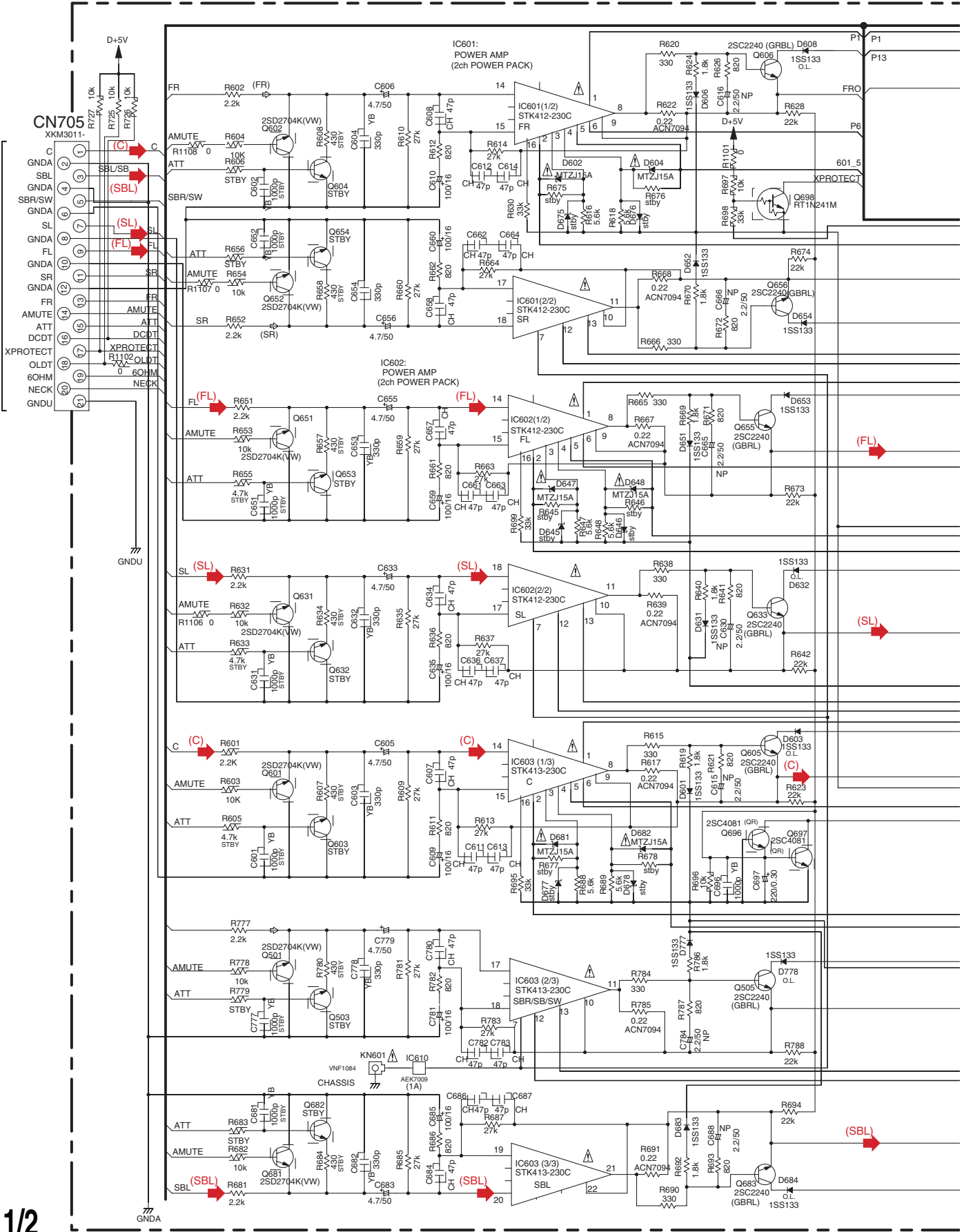
C

D

E

F

A 2/3 CN114



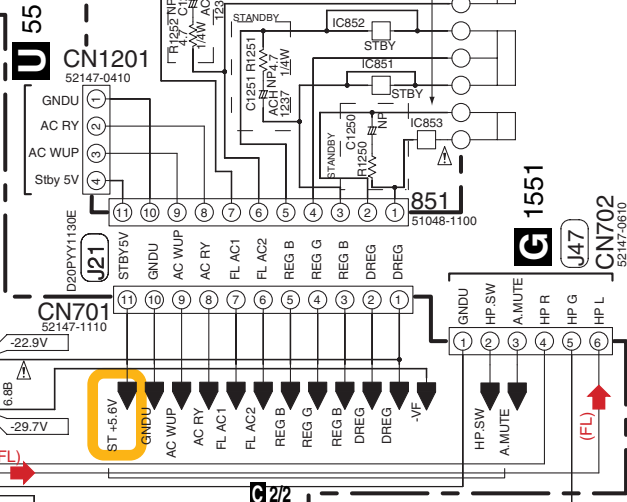
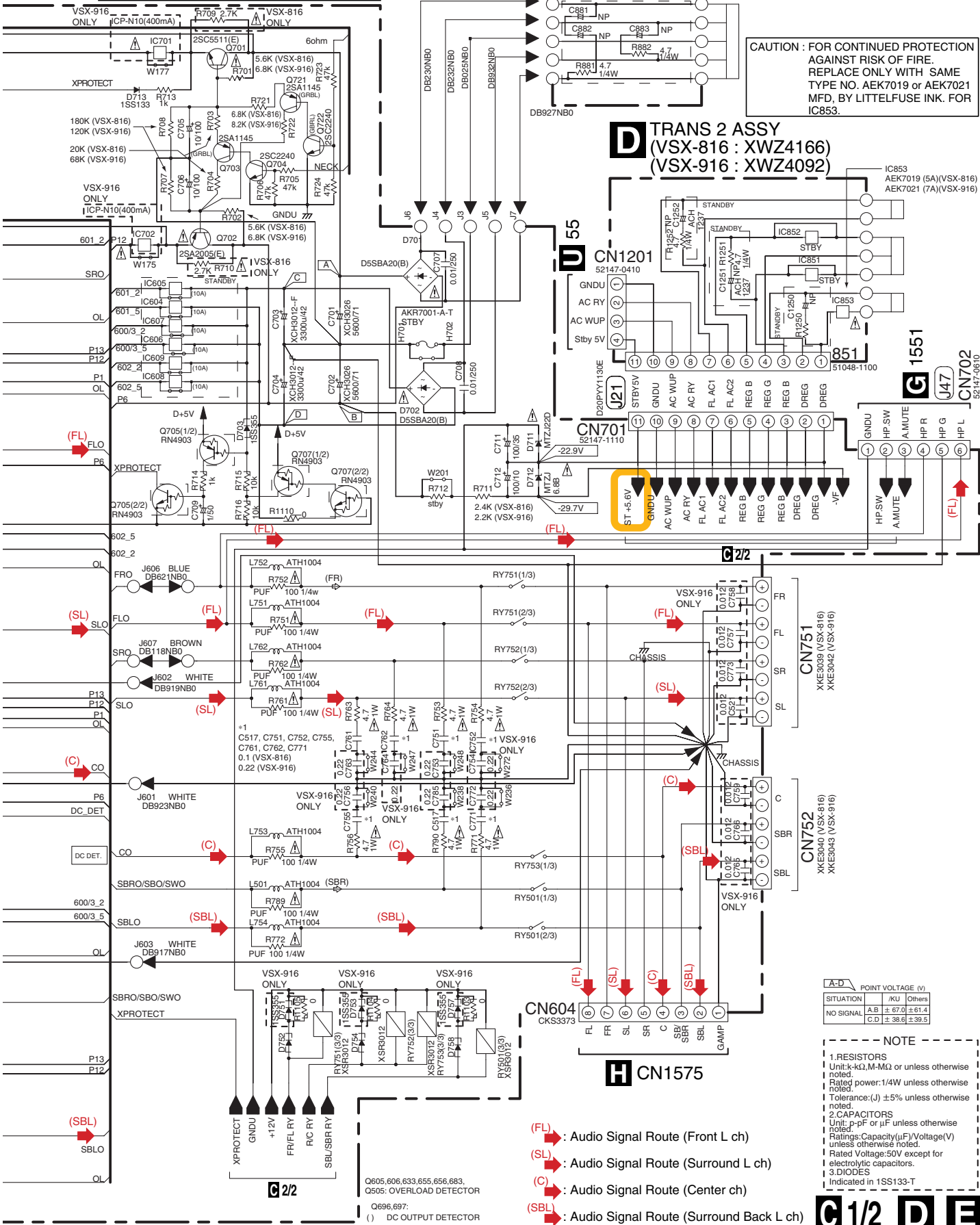
## C 1/2

**CAUTION : FOR CONTINUED PROTECTION AGAINST RISK OF FIRE. REPLACE ONLY WITH SAME TYPE NO. ICP-N10, MFD BY ROHM CO., LTD. FOR IC701 and IC702.**

**E TRANS 3 ASSY (XWZ4079)**

**CAUTION : FOR CONTINUED PROTECTION AGAINST RISK OF FIRE. REPLACE ONLY WITH SAME TYPE NO. AEK7019 or AEK7021 MFD, BY LITTELFUSE INK. FOR IC853.**

**D TRANS 2 ASSY (VSX-816 : XWZ4166) (VSX-916 : XWZ4092)**

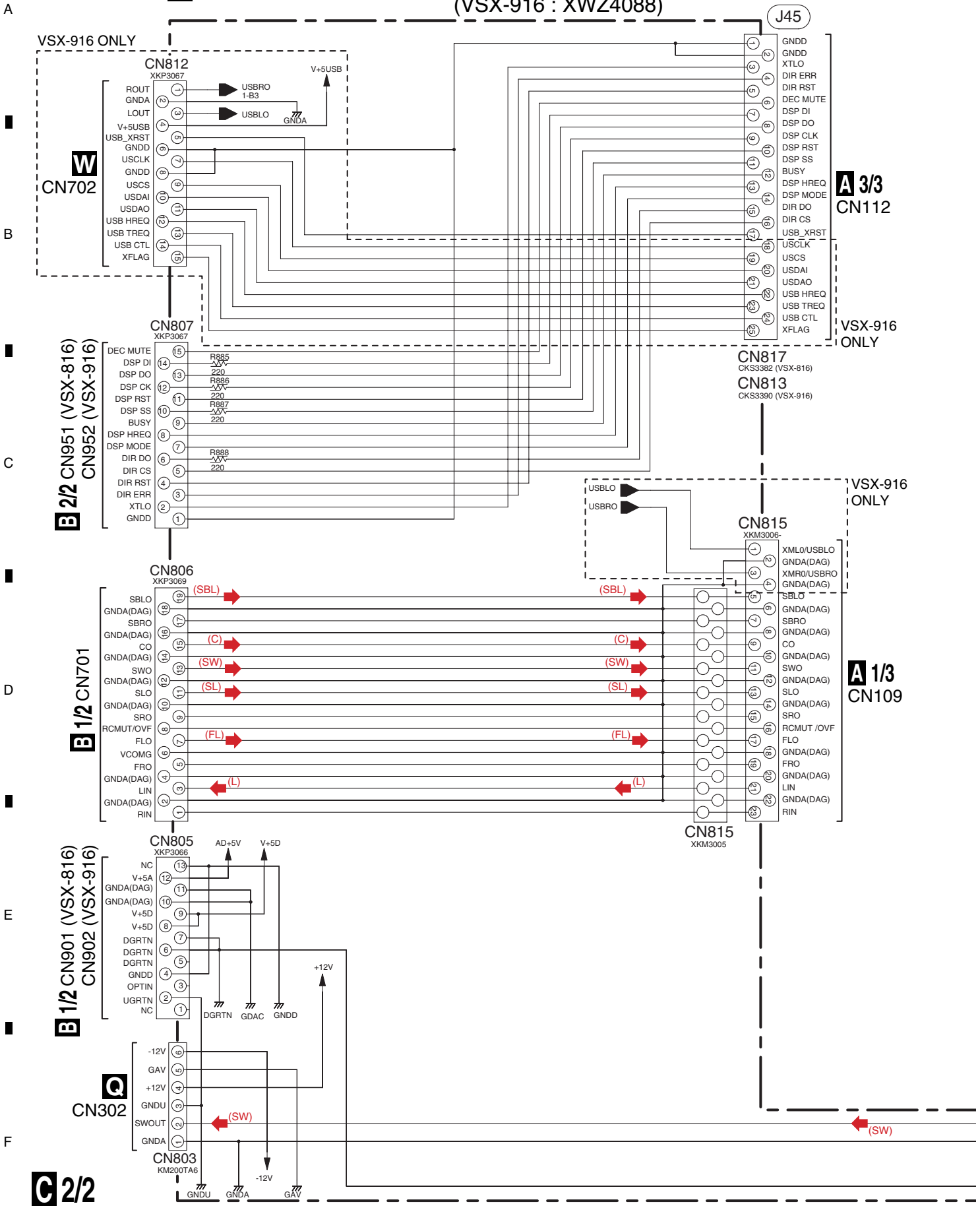


(FL) : Audio Signal Route (Front L ch)  
 (SL) : Audio Signal Route (Surround L ch)  
 (C) : Audio Signal Route (Center ch)  
 (SBL) : Audio Signal Route (Surround Back L ch)

**C 1/2 D E**

### 3.11 POWER PACK ASSY (2/2)

#### **C 2/2** POWER PACK ASSY (VSX-816 : XWZ4087) (VSX-916 : XWZ4088)



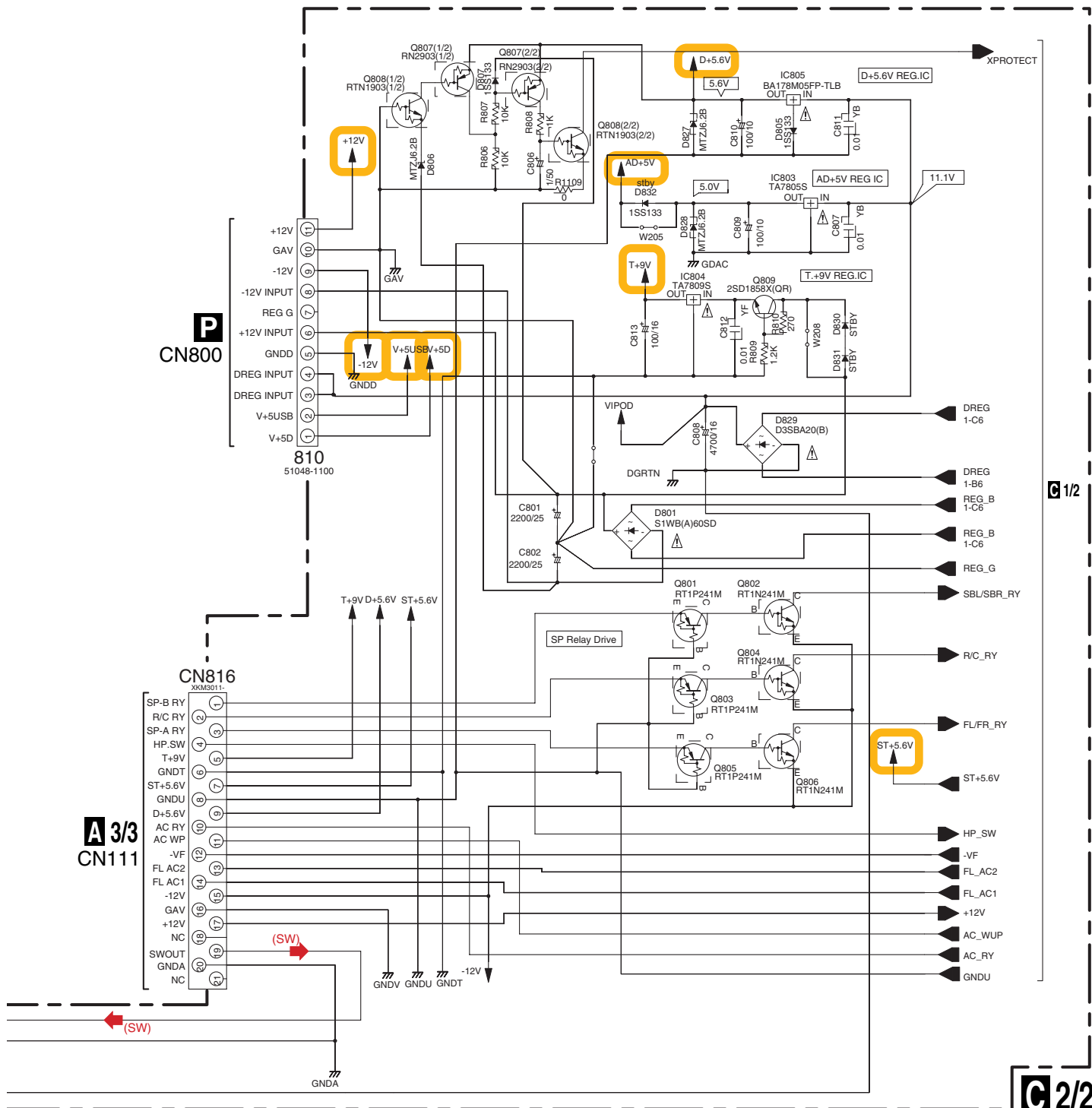


- (L) : Audio Signal Route (L ch)
- (FL) : Audio Signal Route (Front L ch)
- (SL) : Audio Signal Route (Surround L ch)
- (C) : Audio Signal Route (Center ch)
- (SBL) : Audio Signal Route (Surround Back L ch)
- (SW) : Audio Signal Route (SubWoofer ch)

**NOTE**

1. RESISTORS  
 Unit:k- $\Omega$ ,M- $\Omega$  or unless otherwise noted.  
 Rated power:1/4W unless otherwise noted.  
 Tolerance:(J)  $\pm$  5% unless otherwise noted.

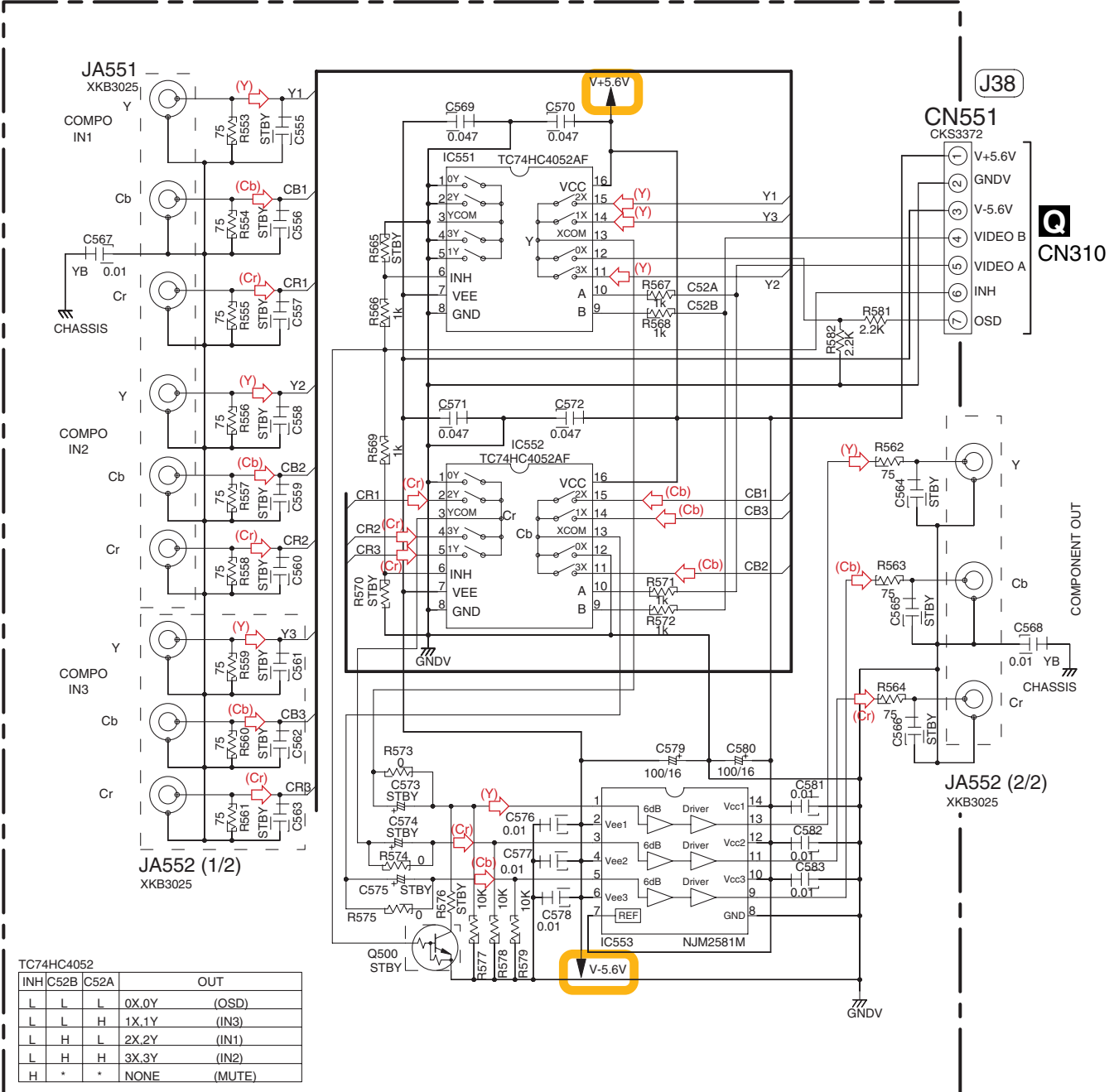
2. CAPACITORS  
 Unit: p-pF or  $\mu$ F unless otherwise noted.  
 Ratings:Capacity( $\mu$ F)/Voltage(V)  
 unless otherwise noted.  
 Rated Voltage:50V except for  
 electrolytic capacitors.



# 3.12 COMPONENT ASSY

## F COMPONENT ASSY (XWZ4097)

(Y) : Video Signal Route (Component Y ch)  
 (Cb) : Video Signal Route (Component Cb ch)  
 (Cr) : Video Signal Route (Component Cr ch)



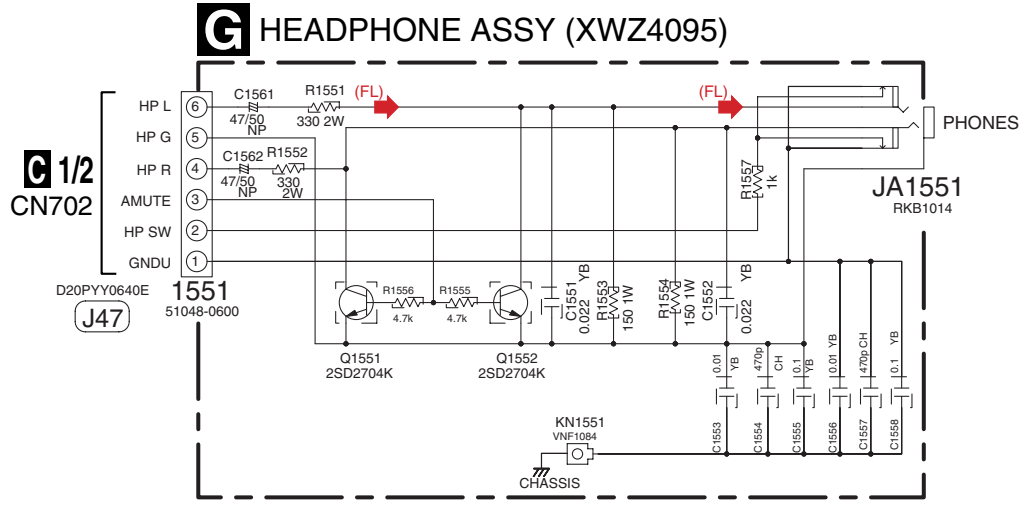
TC74HC4052

INH	C52B	C52A	OUT	
L	L	L	0X.0Y	(OSD)
L	L	H	1X.1Y	(IN3)
L	H	L	2X.2Y	(IN1)
L	H	H	3X.3Y	(IN2)
H	*	*	NONE	(MUTE)

NOTE

- RESISTORS  
 Unit: k-k $\Omega$ , M-M $\Omega$  or  $\Omega$  unless otherwise noted.  
 Rated power: 1/16W unless otherwise noted.  
 Tolerance: (J)  $\pm$ 5% unless otherwise noted.
- CAPACITORS  
 Unit: p-pF or  $\mu$ F unless otherwise noted.  
 Ratings: Capacity( $\mu$ F)/Voltage(V) unless otherwise noted.  
 Rated Voltage: 50V expect for electrolytic capacitors.

### 3.13 HEADPHONE, PRE-OUT and 5.1CHIN ASSYS



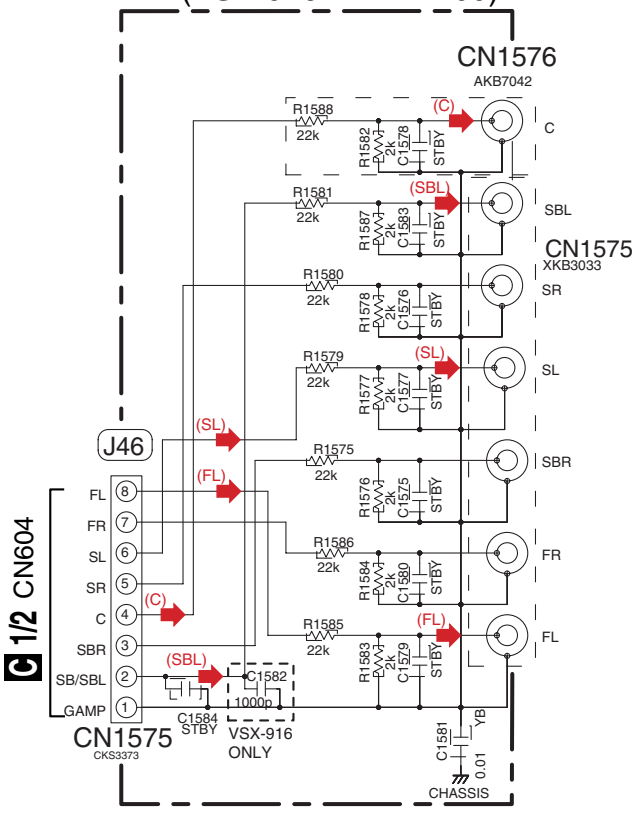
- (FL) : Audio Signal Route (Front L ch)
- (SL) : Audio Signal Route (Surround L ch)
- (C) : Audio Signal Route (Center ch)
- (SBL) : Audio Signal Route (Surround Back L ch)
- (SW) : Audio Signal Route (SubWoofer ch)

**NOTE**

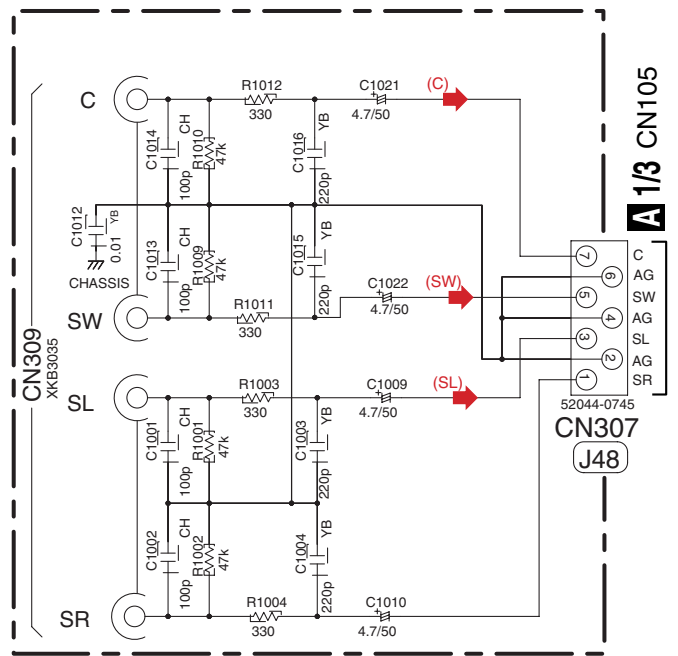
1.RESISTORS  
 Unit: k-kΩ, M-MΩ or Ω unless otherwise noted.  
 Rated power: 1/16W unless otherwise noted.  
 Tolerance: (J) ±5% unless otherwise noted.

2.CAPACITORS  
 Unit: p-pF or μF unless otherwise noted.  
 Ratings: Capacity(μF)/Voltage(V) unless otherwise noted.  
 Rated Voltage: 50V expect for electrolytic capacitors.

#### H PRE-OUT ASSY (VSX-816 : XWZ4098) (VSX-916 : XWZ4200)



#### I 5.1CHIN ASSY (XWZ4069)

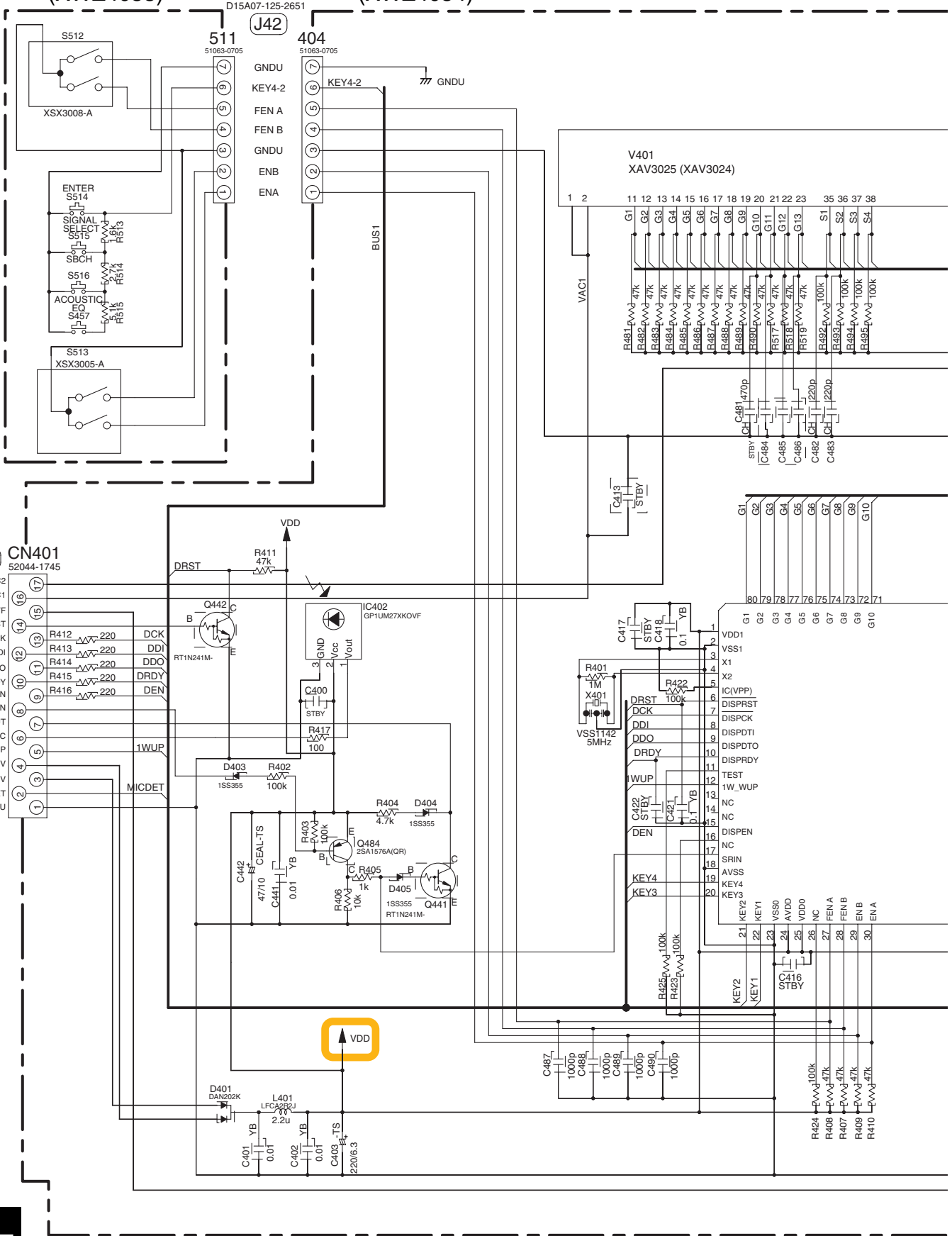


**G H I**

# 3.14 FRONT DISPLAY, R. ENCODER and POWER KEY ASSYS

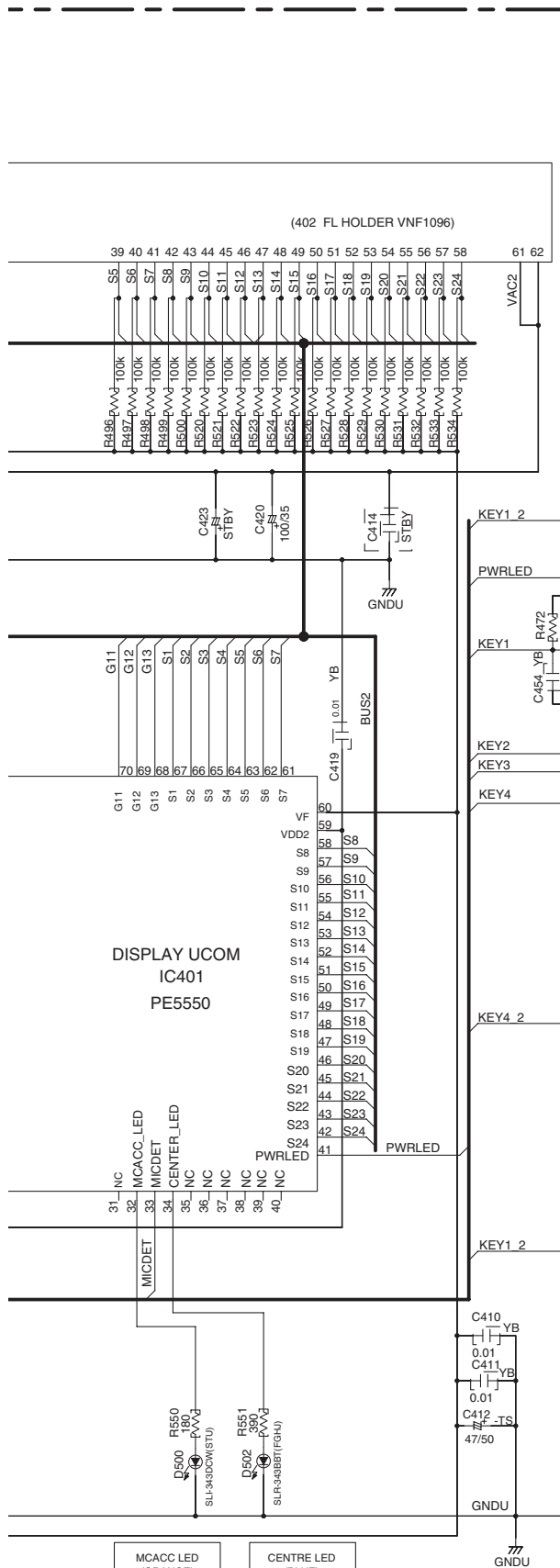
**L** R. ENCODER ASSY (XWZ4055)

**K** FRONT DISPLAY ASSY (XWZ4054)

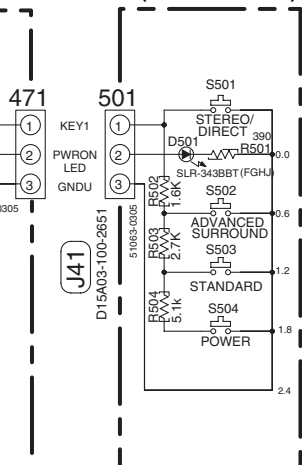


R. ENCODER ASSY  
 S512 : MULTI JOG DIAL  
 S513 : MASTER VOLUME  
 S514 : ENTER  
 S515 : SIGNAL SELECT  
 S516 : SBCh PROCESSING  
 S457 : ACOUSTIC EQ

FRONT DISPLAY ASSY  
 S451 : AUX  
 S452 : XM  
 S453 : AM  
 S454 : DVD/VCR  
 S455 : TV/SAT  
 S456 : DVD/LD  
 S458 : FL DIMMER  
 S459 : CD  
 S460 : VIDEO  
 S461 : SPEAKERS  
 S462 : MIDNIGHT/LOUDNESS  
 S463 : ATT  
 S464 : FM  
 S465 : CDR/TAPE  
 S466 : RETURN  
 S467 : SYSTEM SETUP  
 S468 : QUICK SETUP  
 S469 : TONE  
 S470 : TUNER EDIT  
 S471 : TUNING/STATION



**M**  
**POWER KEY**  
**ASSY (XWZ4057)**



POWER KEY ASSY  
 S501 : ST/DIRECT/  
 AUTO SURR  
 S502 : ADVANCED  
 SURR  
 S503 : STANDARD  
 S504 : POWER  
 STANDBY/ON

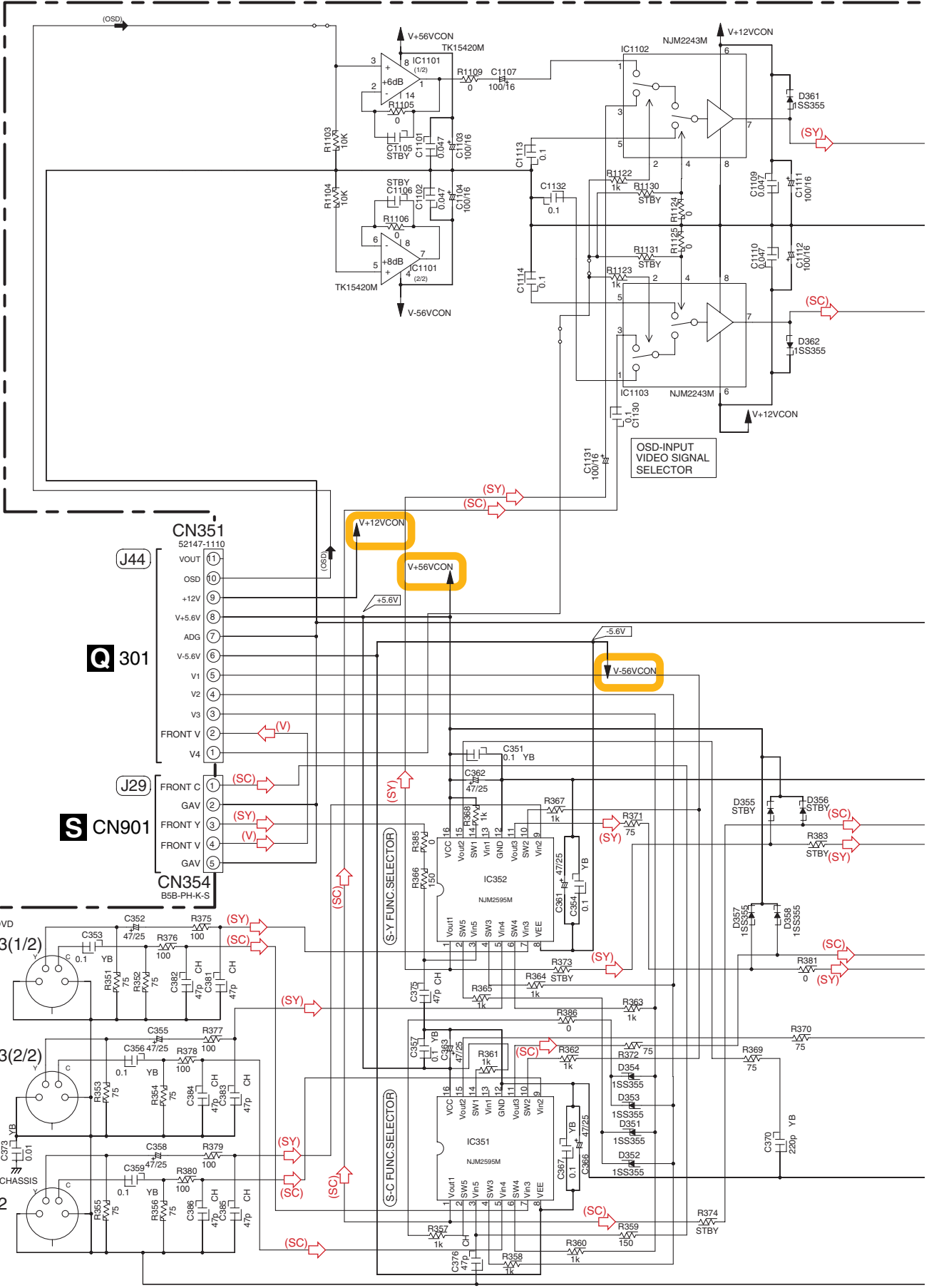
\*Tact Switch  
 function names are  
 example of 816/KU

- NOTE**
- 1.RESISTORS**  
 Unit: k-kΩ, M-MΩ or Ω unless otherwise noted.  
 Rated power: 1/16W unless otherwise noted.  
 Tolerance: (J) ±5% unless otherwise noted.
  - 2.CAPACITORS**  
 Unit: p-pF or μF unless otherwise noted.  
 Rating: Capacity(μF)/Voltage(V) unless otherwise noted.  
 Rated Voltage: 50V expect for electrolytic capacitors.
  - 3.TACT SWITCHES**  
 Indicated in VSG1024



# 3.15 S. VIDEO, TRANS 4 and REGULATOR ASSYS

## S. VIDEO ASSY (XWZ4065)

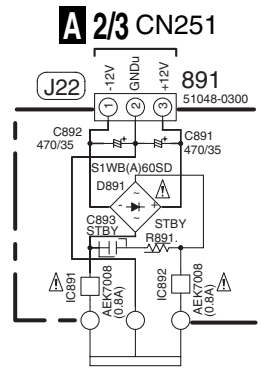
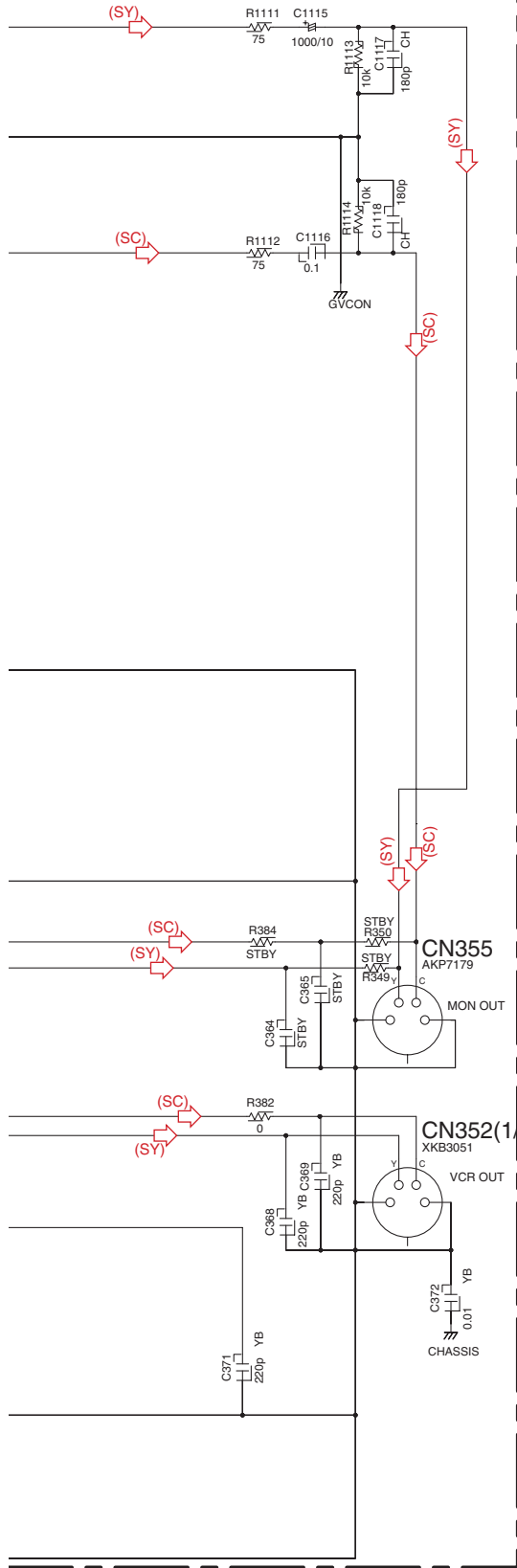


**NOTE**

1.RESISTORS  
Unit: k-kΩ, M-MΩ or Ω unless otherwise noted.  
Rated power: 1/16W unless otherwise noted.  
Tolerance: (J) ±5% unless otherwise noted.

2.CAPACITORS  
Unit: p-pF or μF unless otherwise noted.  
Ratings: Capacity(μF)/Voltage(V) unless otherwise noted.  
Rated Voltage: 50V expect for electrolytic capacitors.

(V) : Video Signal Route  
(SY) : S-Video Signal Route (Y ch)  
(SC) : S-Video Signal Route (C ch)

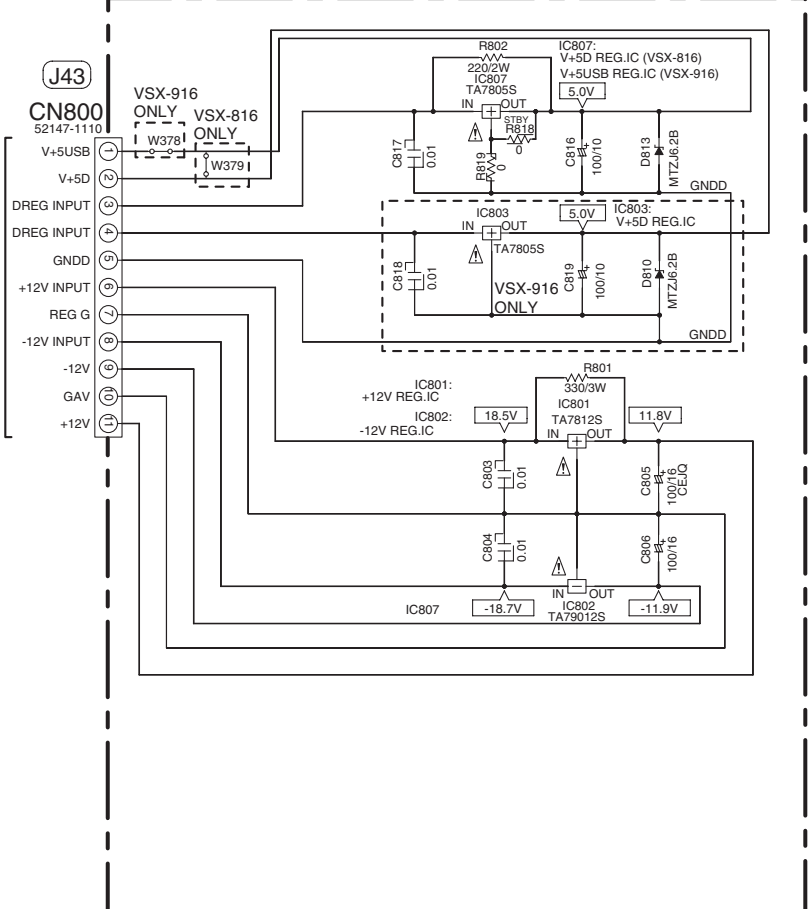


**TRANS 4 ASSY (XWZ4093)**

**CAUTION :** FOR CONTINUED PROTECTION AGAINST RISK OF FIRE, REPLACE ONLY WITH SAME TYPE NO. AEK7008 MFD, BY LITTELFUSE INK. FOR IC891 and IC892.

**P REGULATOR ASSY (VSX-816 : XWZ4129) (VSX-916 : XWZ4116)**

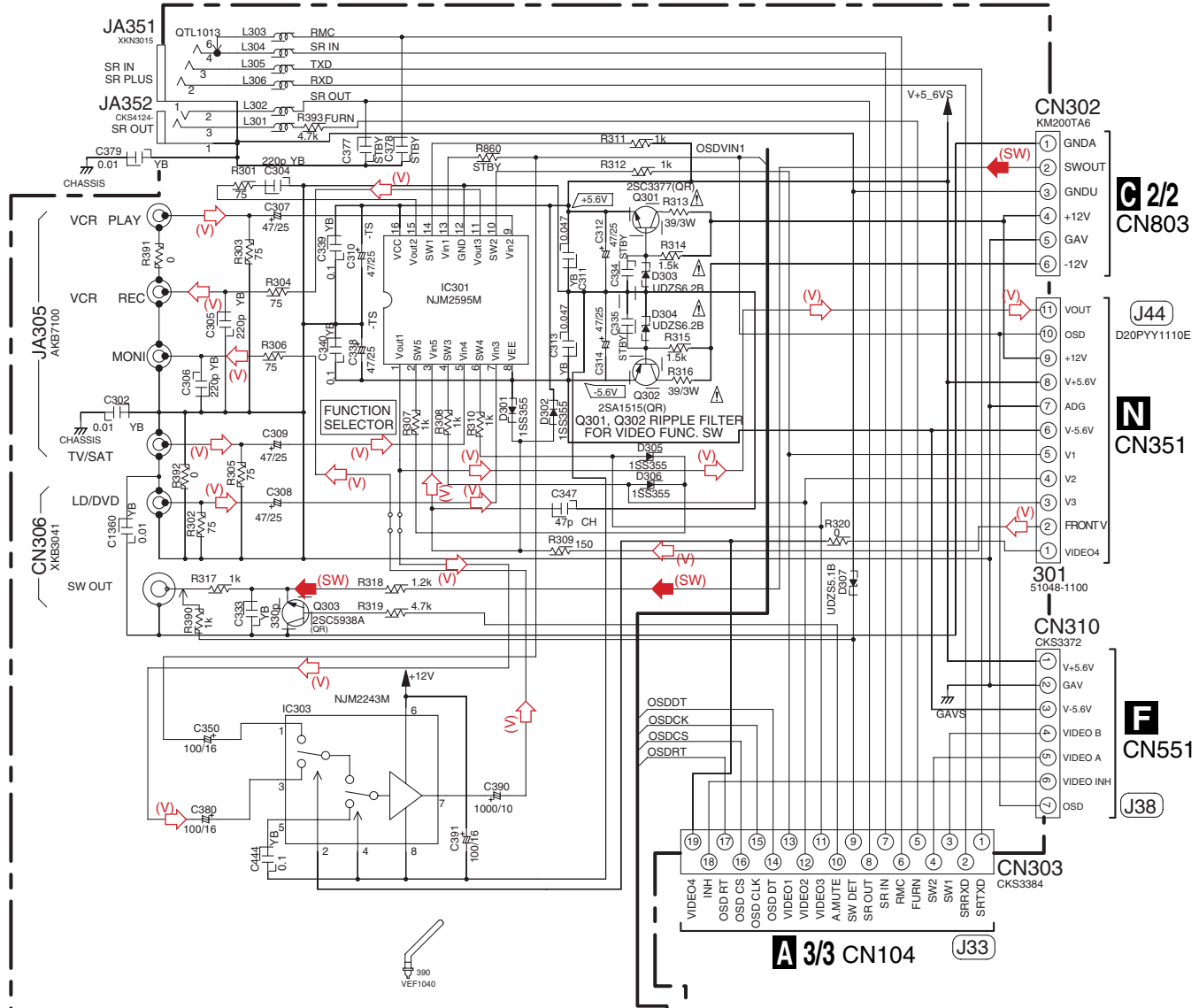
**C 2/2 810**



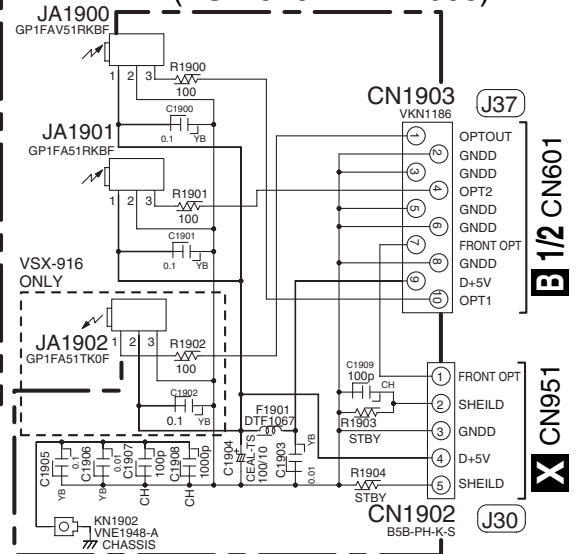
**NO P**

# 3.16 VIDEO, DIGITAL IN, FRONT VIDEO, PRIMARY and TRANS 1 ASSYS

## Q VIDEO ASSY (XWZ4062)



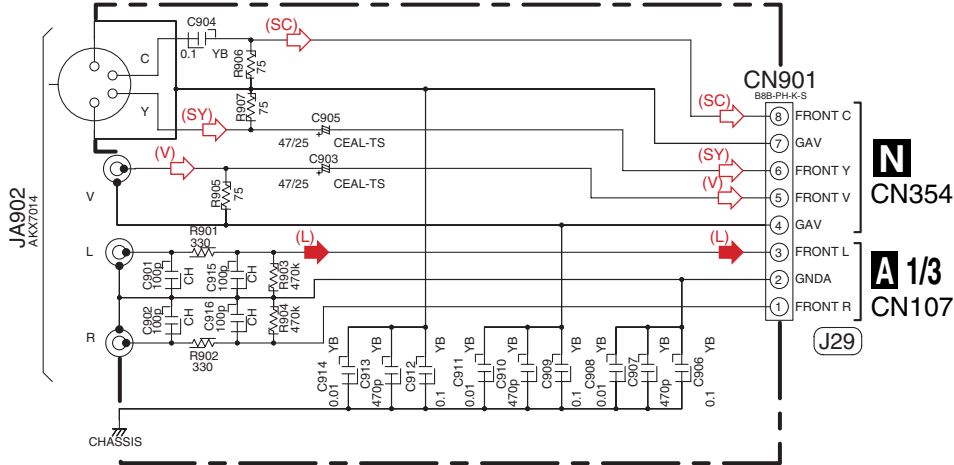
## R DIGITAL IN ASSY (VSX-816 : XWZ4067) (VSX-916 : XWZ4068)



VSX-816-K



**S** FRONT VIDEO ASSY  
(XWZ4109)

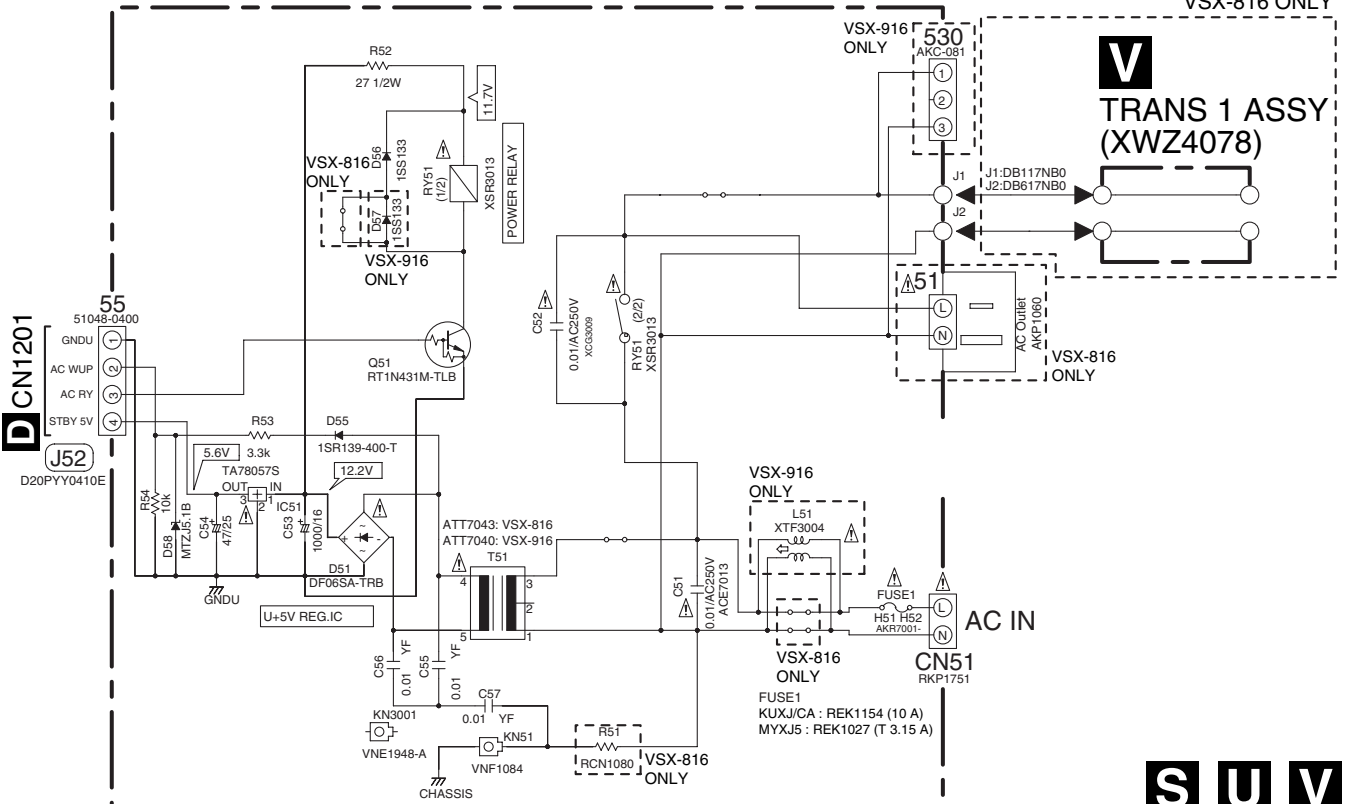


- (V) : Video Signal Route
- (SY) : S-Video Signal Route (Y ch)
- (SC) : S-Video Signal Route (C ch)
- (L) : Audio Signal Route (L ch)
- (SW) : Audio Signal Route (SubWoofer ch)

• NOTE FOR FUSE REPLACEMENT

**CAUTION** -FOR CONTINUED PROTECTION AGAINST RISK OF FIRE.  
REPLACE WITH SAME TYPE AND RATINGS ONLY.

**U** PRIMARY ASSY  
(VSX-816 : XWZ4072)  
(VSX-916 : XWZ4073)

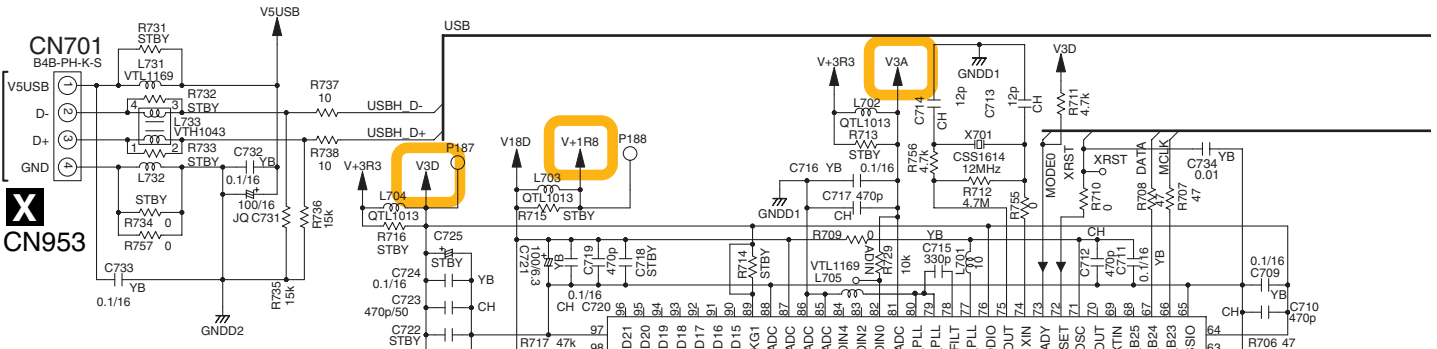


**S U V**

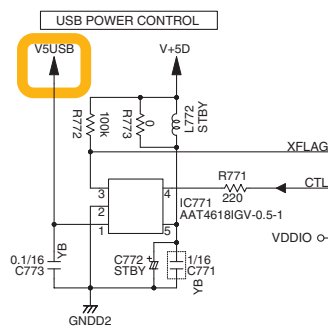
# 3.17 USB ASSY

## W USB ASSY (AWX8704)

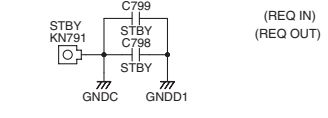
A



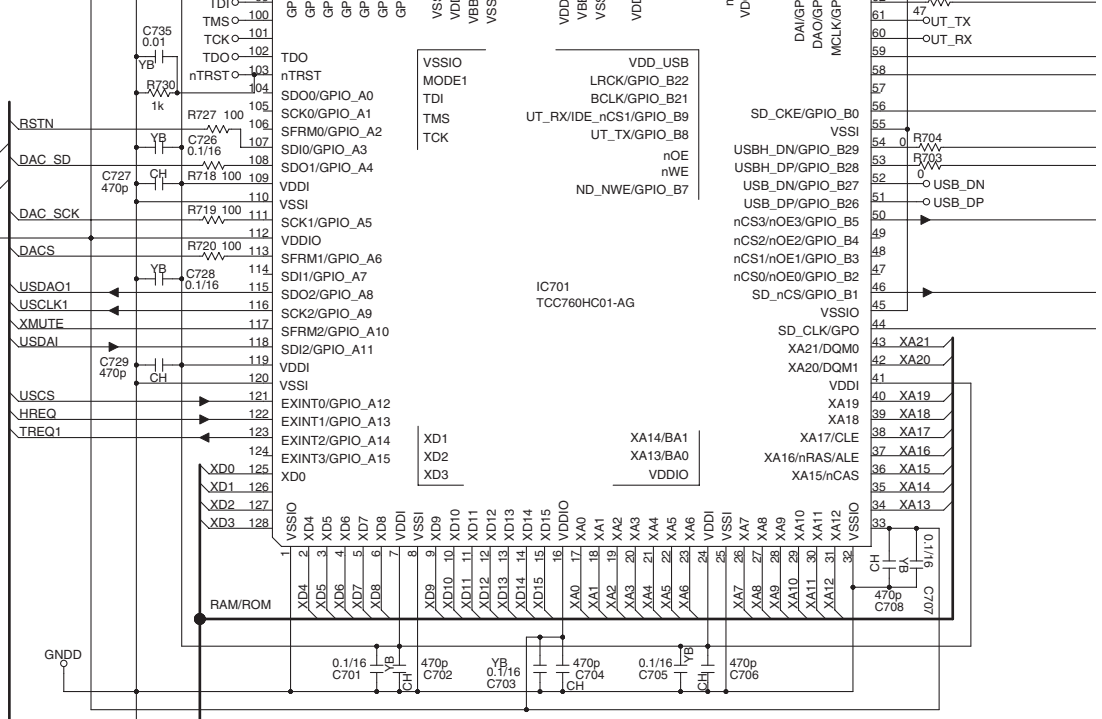
B



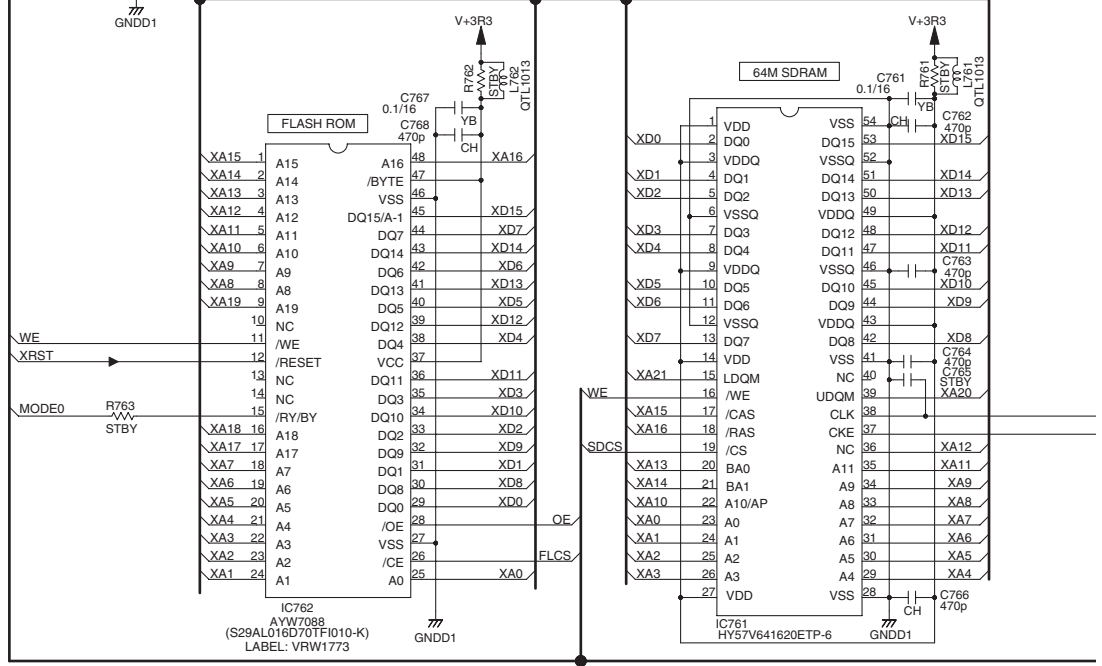
C



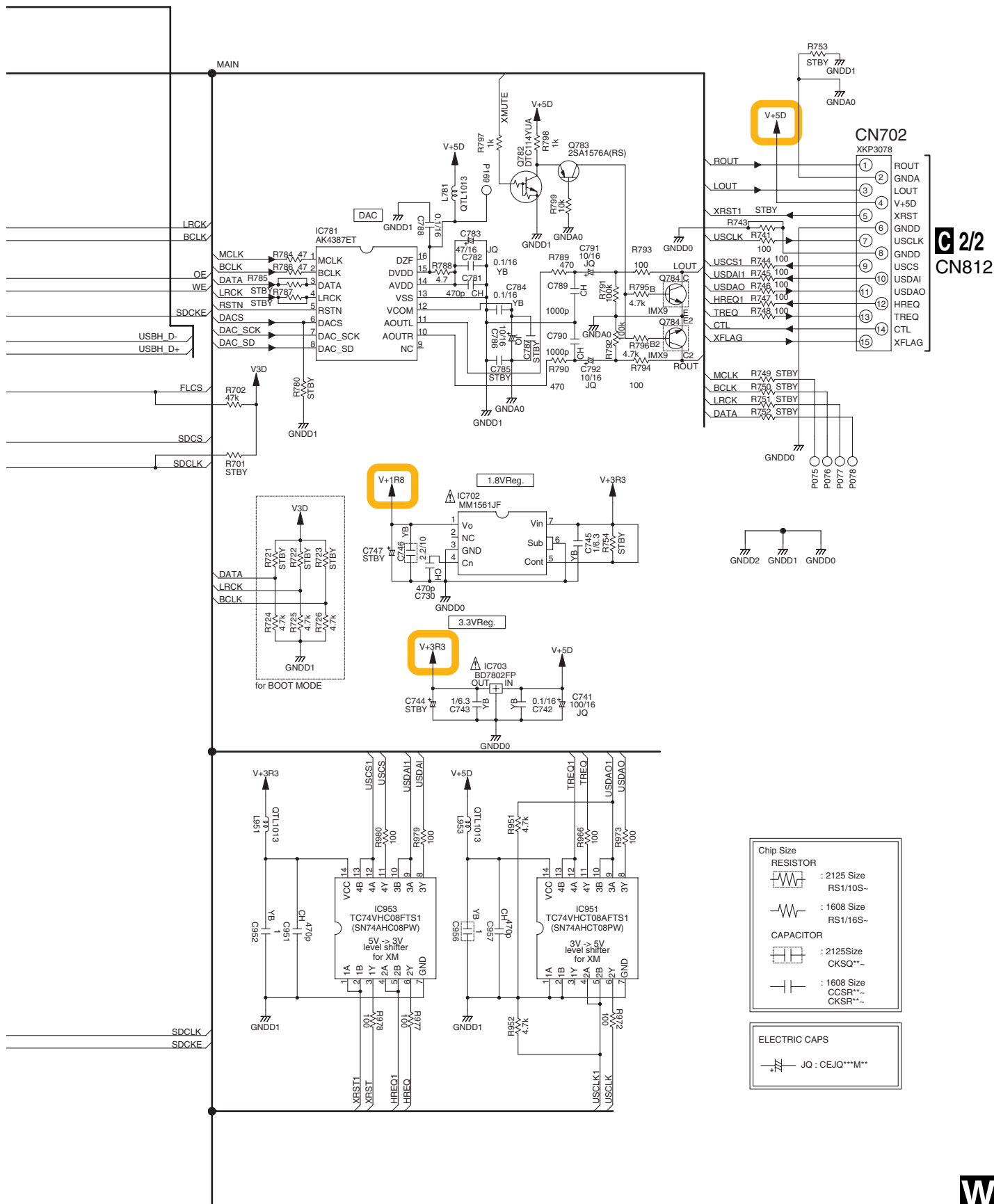
D



E

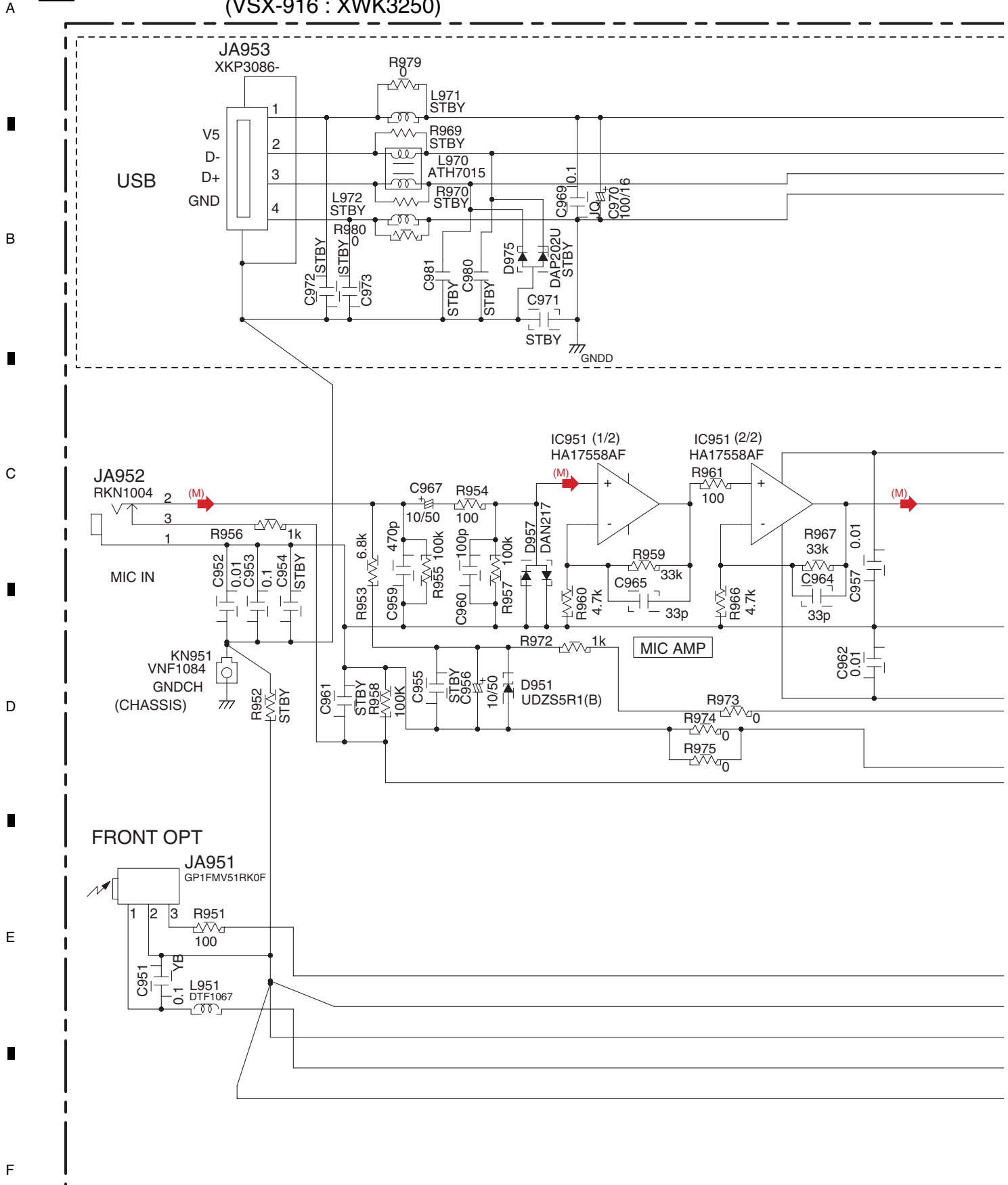


F

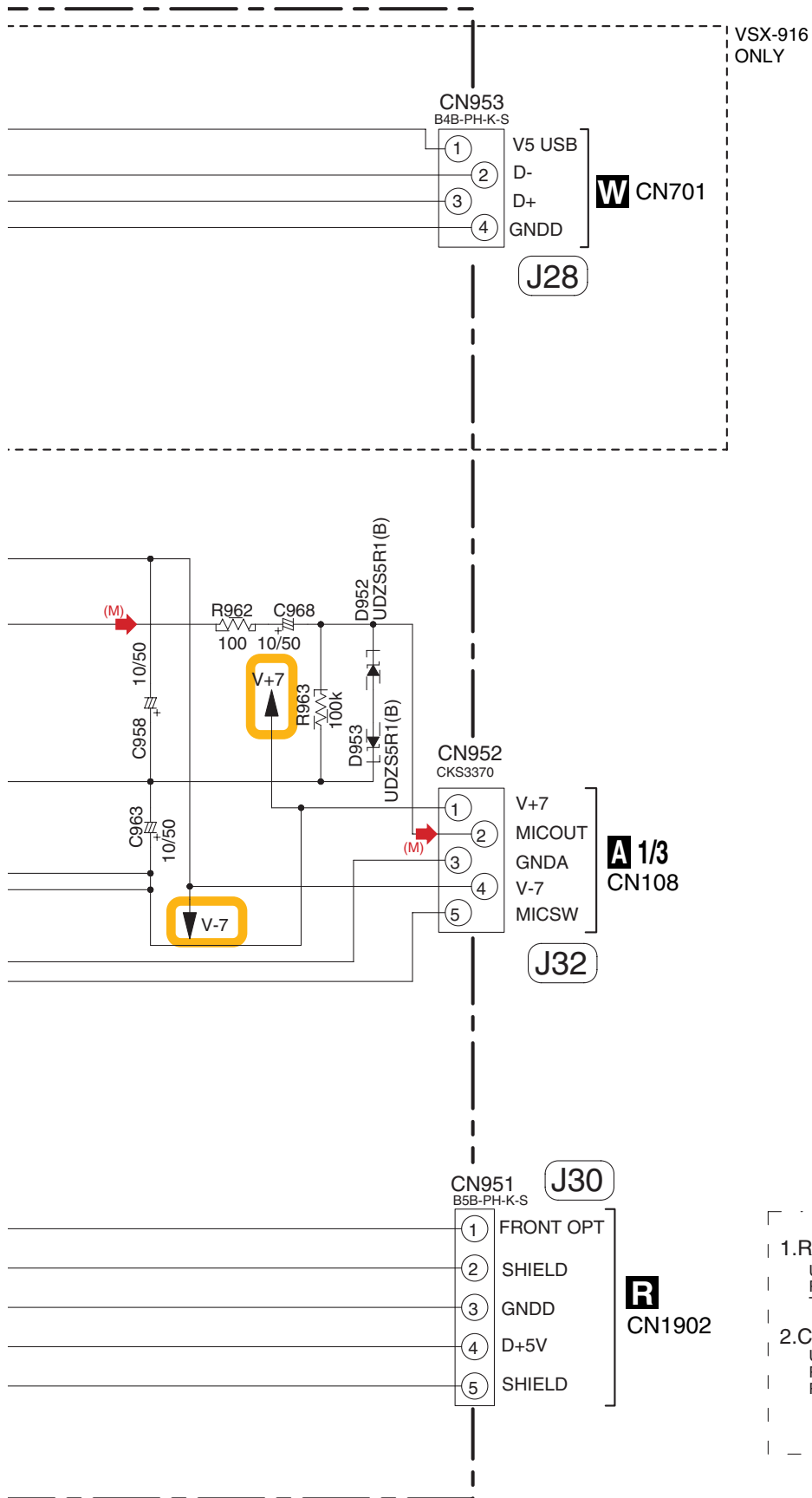


# 3.18 USB IN ASSY

**X** USB IN ASSY (VSX-816 : XWK3249)  
 (VSX-916 : XWK3250)



(M) : Audio Signal Route (Mic ch)



**W** CN701

**J28**

**A 1/3** CN108

**J32**

**J30**

**R** CN1902

**NOTE**

**1.RESISTORS**  
 Unit: k-kΩ, M-MΩ or Ω unless otherwise noted.  
 Rated power: 1/16W unless otherwise noted.  
 Tolerance: (J) ±5% unless otherwise noted.


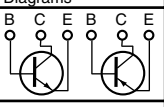

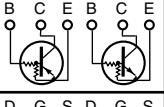

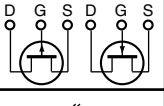

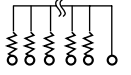

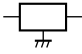
**2.CAPACITORS**  
 Unit: p-pF or μF unless otherwise noted.  
 Ratings: Capacity(μF)/Voltage(V) unless otherwise noted.  
 Rated Voltage: 50V expect for electrolytic capacitors.



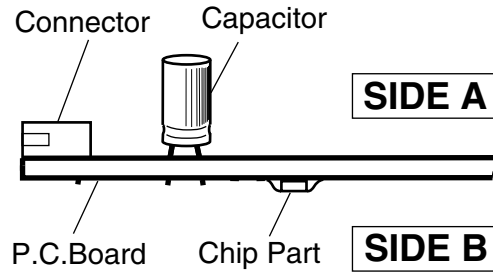
# 4. PCB CONNECTION DIAGRAM

## NOTE FOR PCB DIAGRAMS :

1. Part numbers in PCB diagrams match those in the schematic diagrams.
2. A comparison between the main parts of PCB and schematic diagrams is shown below.

Symbol In PCB Diagrams	Symbol In Schematic Diagrams	Part Name
		Transistor
		Transistor with resistor
		Field effect transistor
		Resistor array
		3-terminal regulator

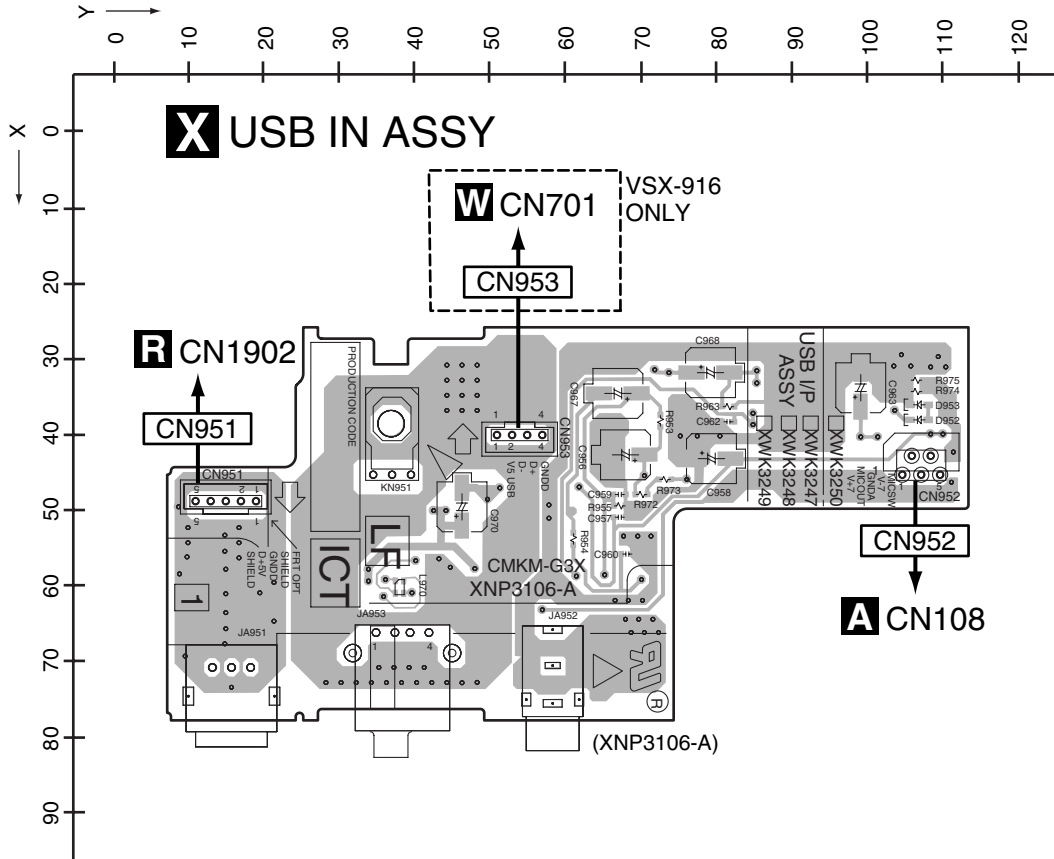
3. The parts mounted on this PCB include all necessary parts for several destinations.  
For further information for respective destinations, be sure to check with the schematic diagram.
4. View point of PCB diagrams.



# 4.1 USB IN ASSY

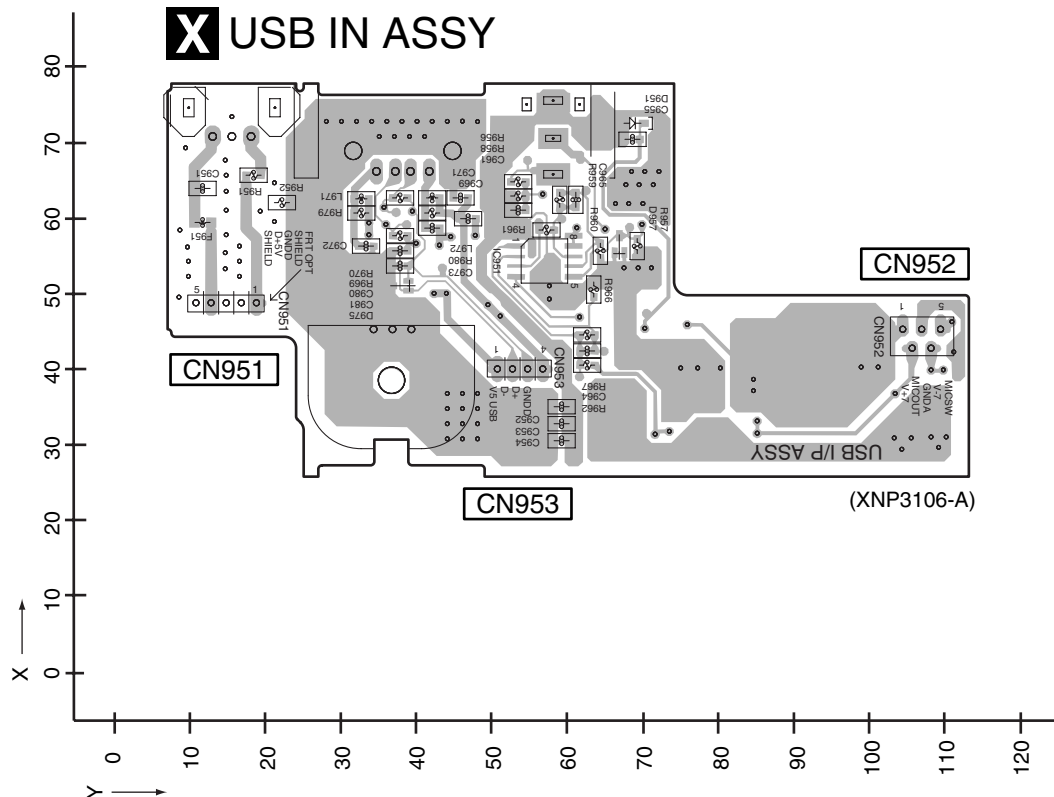
**SIDE A**

**SIDE A**



**SIDE B**

**SIDE B**



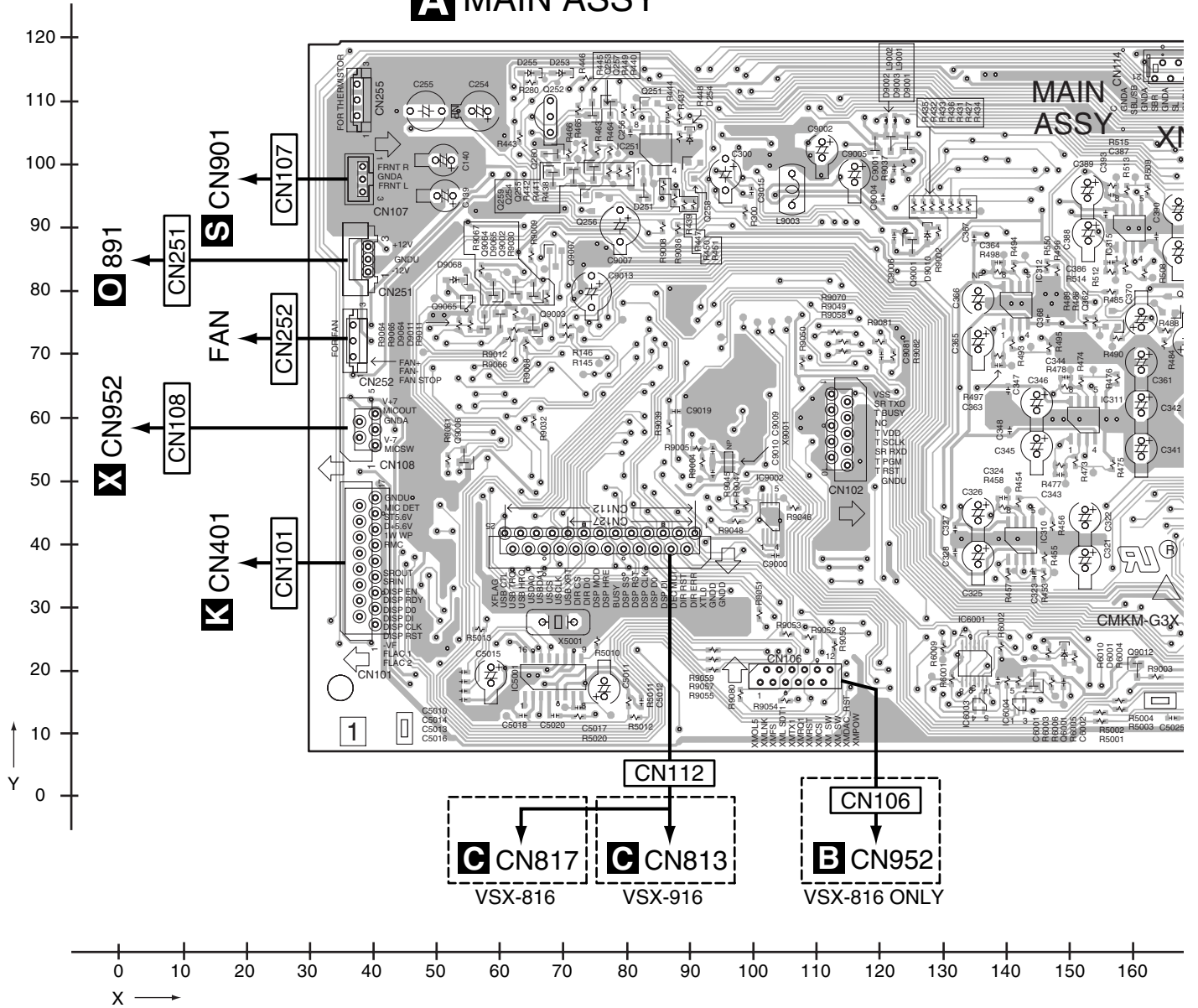
**X**

**X**

# 4.2 MAIN ASSY

**SIDE A**

**A MAIN ASSY**



**VSX-816-K**



SIDE A

A

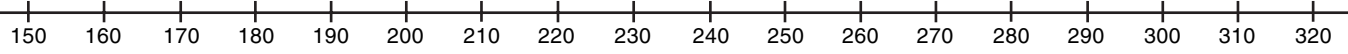
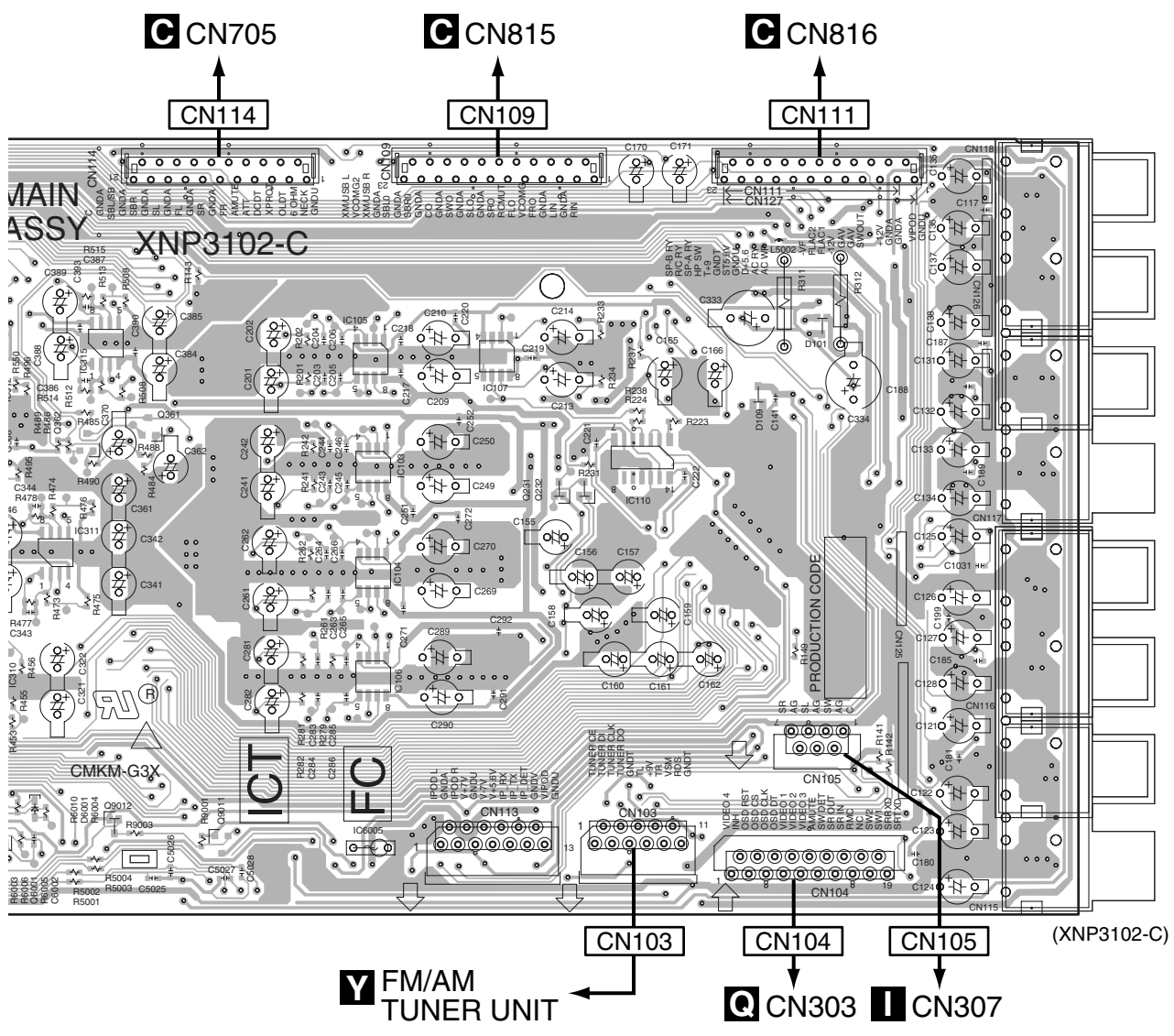
B

C

D

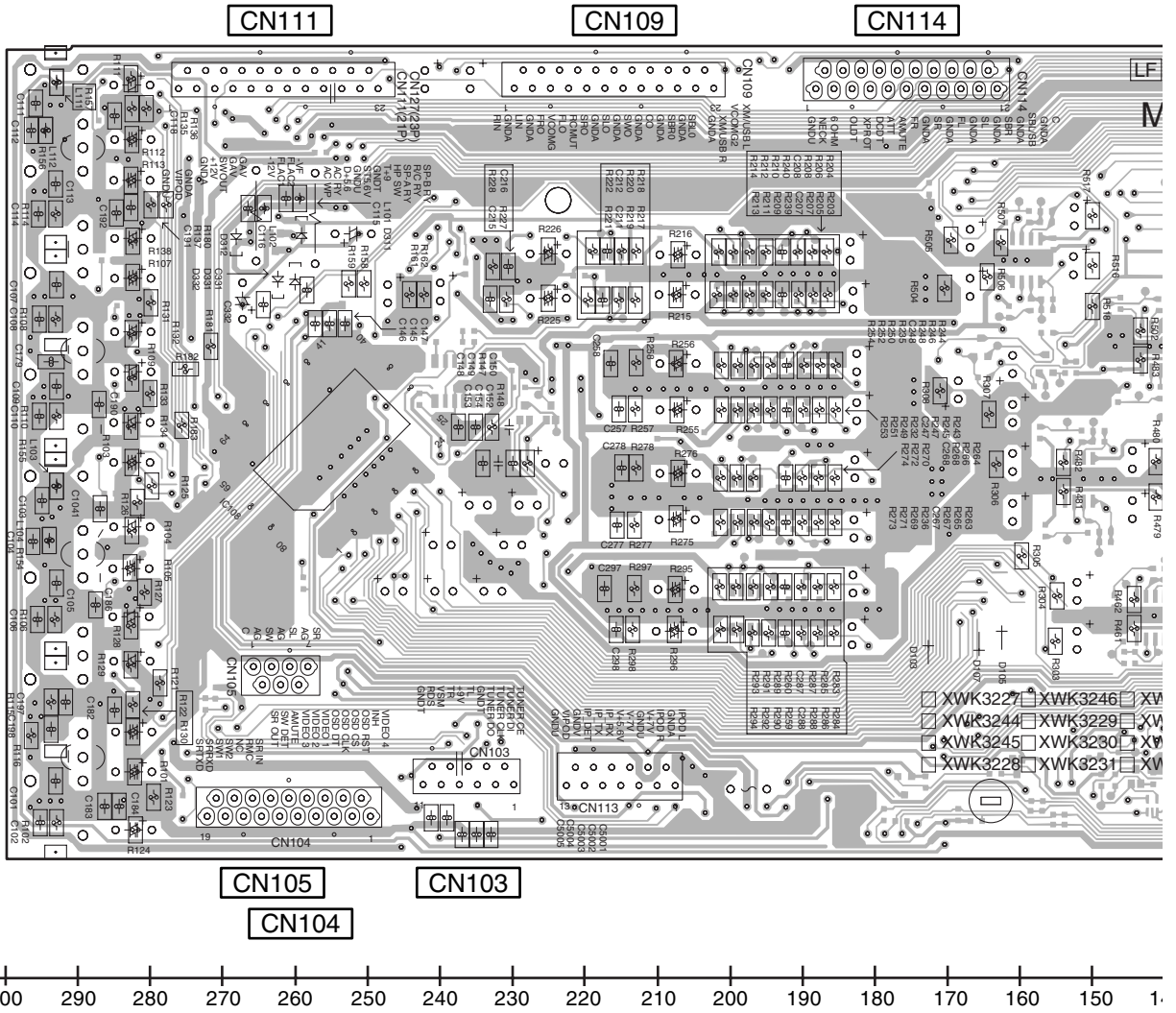
E

F

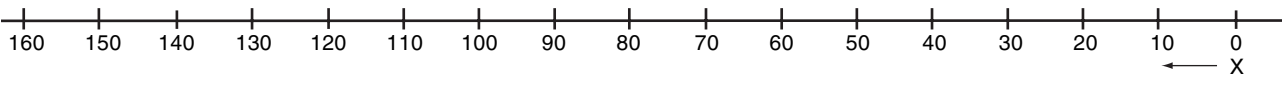
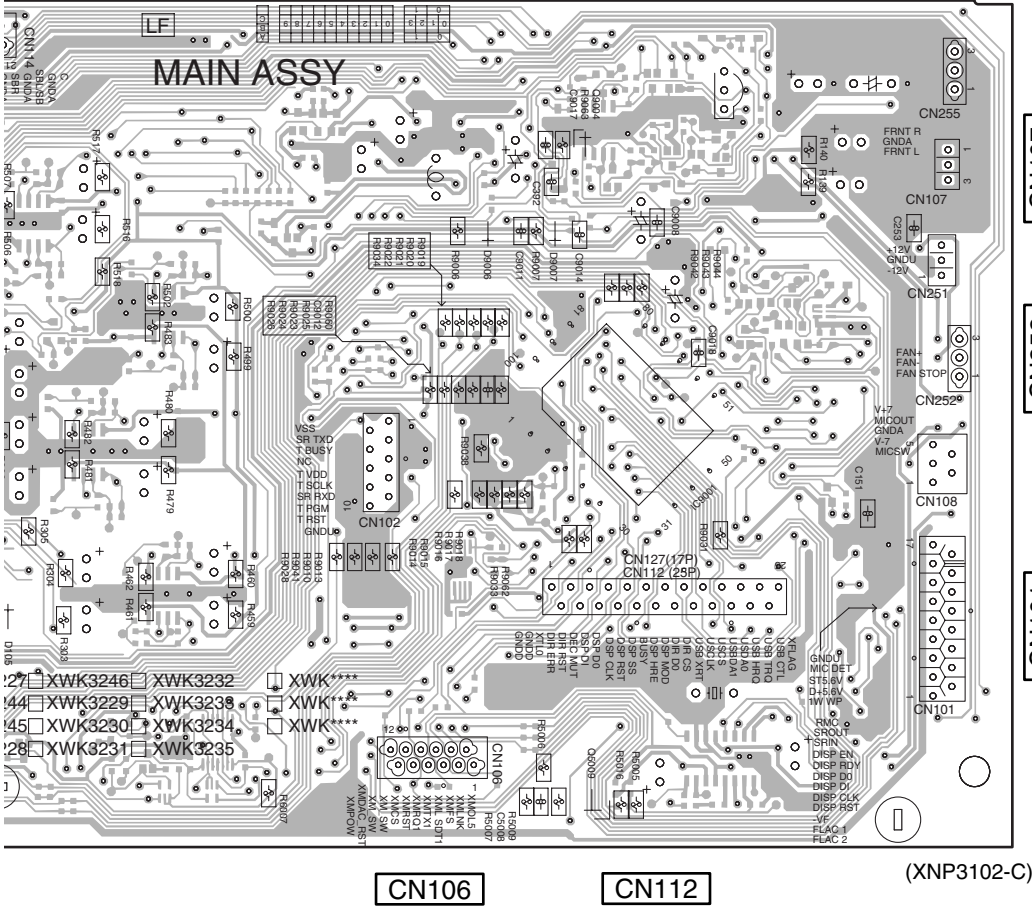


**SIDE B**

**A MAIN ASSY**



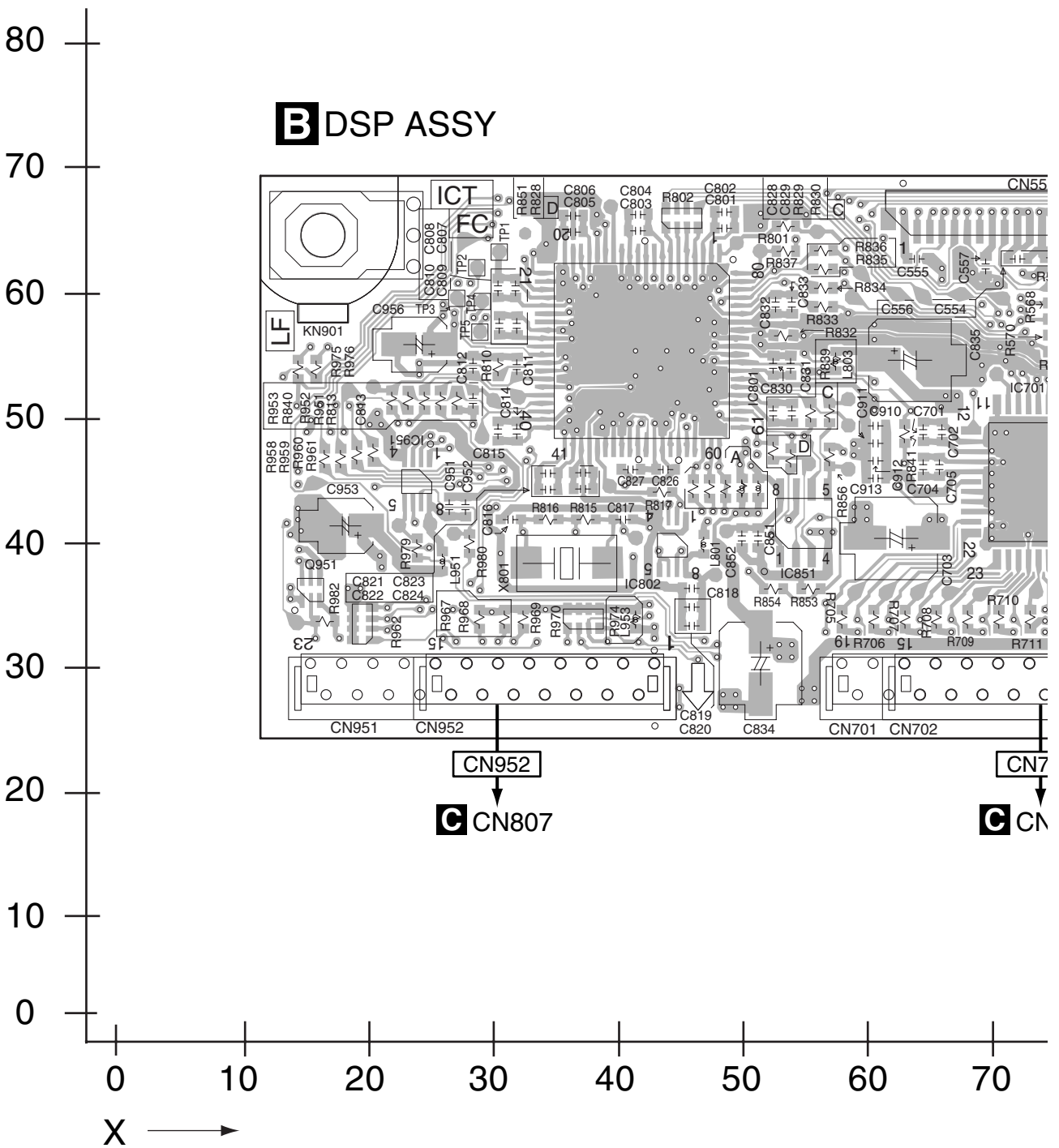
**A**



# 4.3 DSP ASSY (FOR VSX-916)

**SIDE A**

A  
B  
C  
D  
E  
F



**B** DSP ASSY

**C** CN807

**C** CN7

**B**

**SIDE A**

A

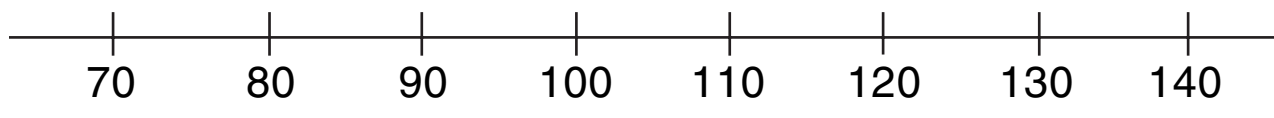
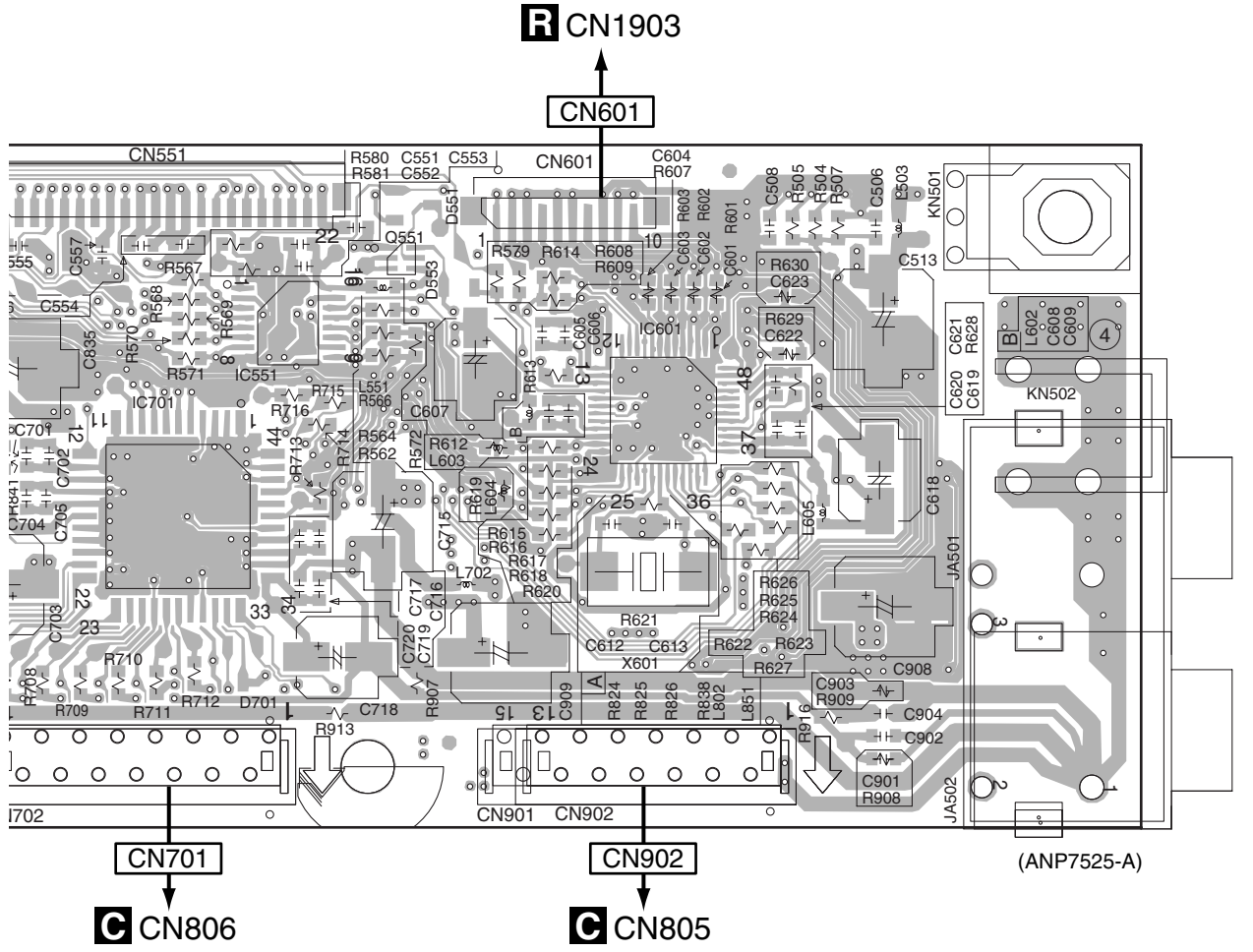
B

C

D

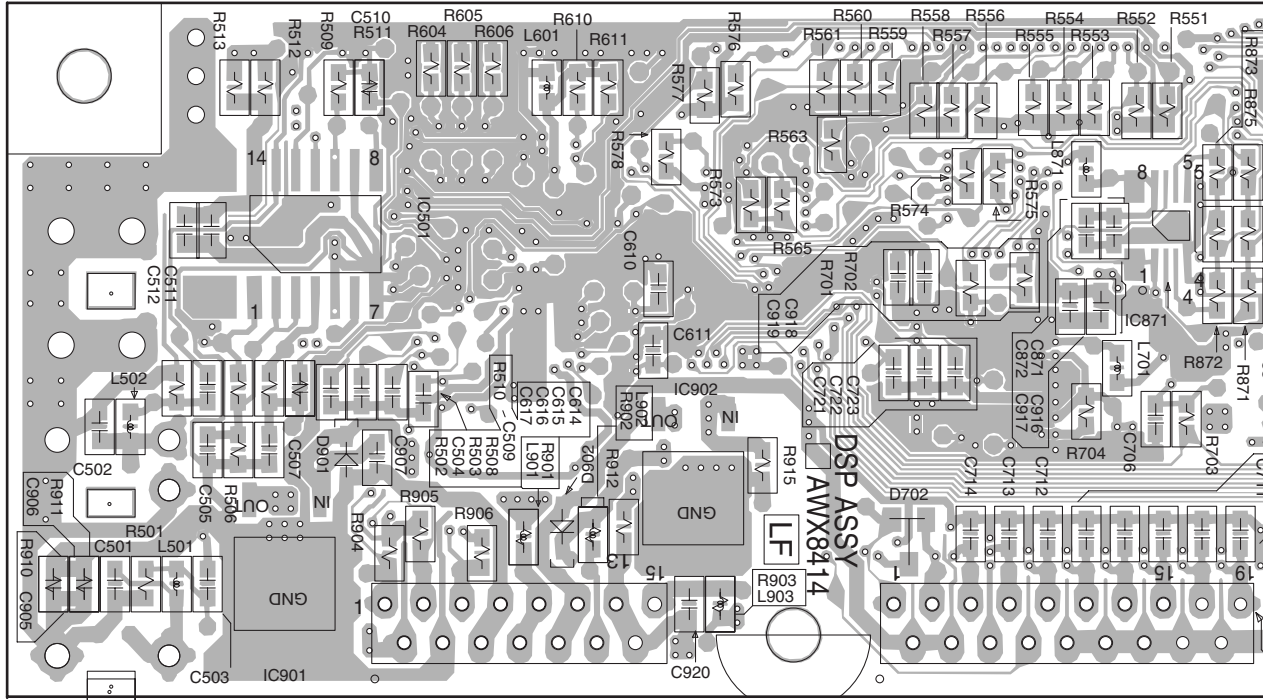
E

F



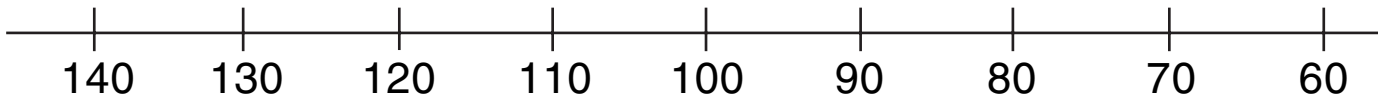
**SIDE B**

**B DSP ASSY**



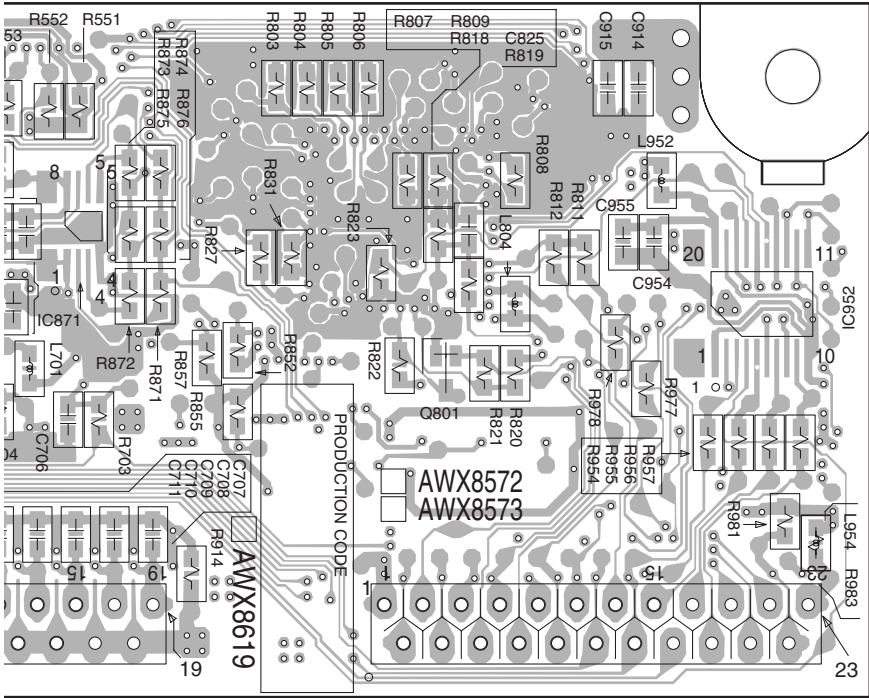
CN902

CN701

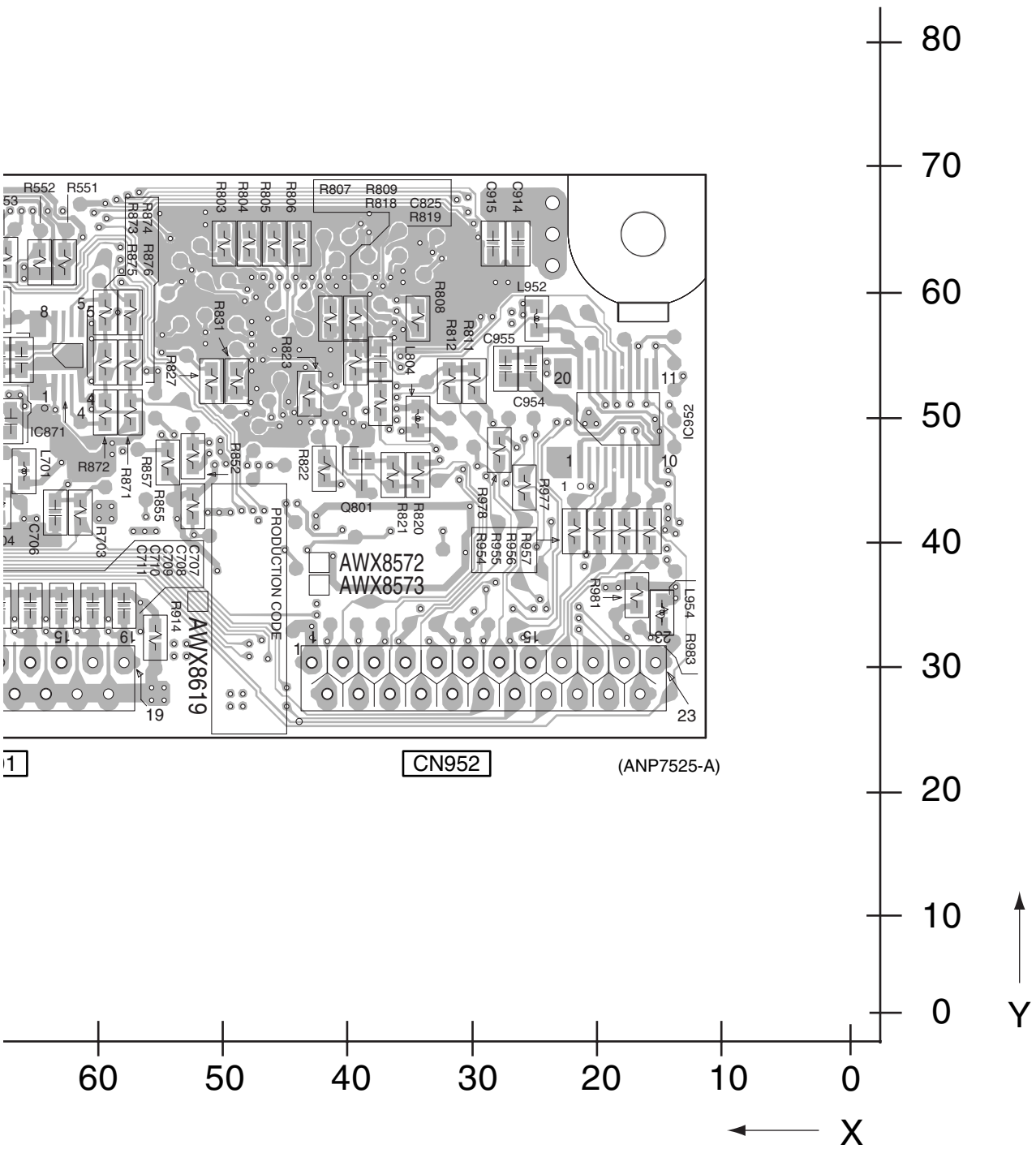


**B**

A  
B  
C  
D  
E  
F



1 CN952 (ANP7525-A)



5

6

7

8

5

6

7

8

# 4.4 DSP ASSY (FOR VSX-816)

**SIDE A**

A

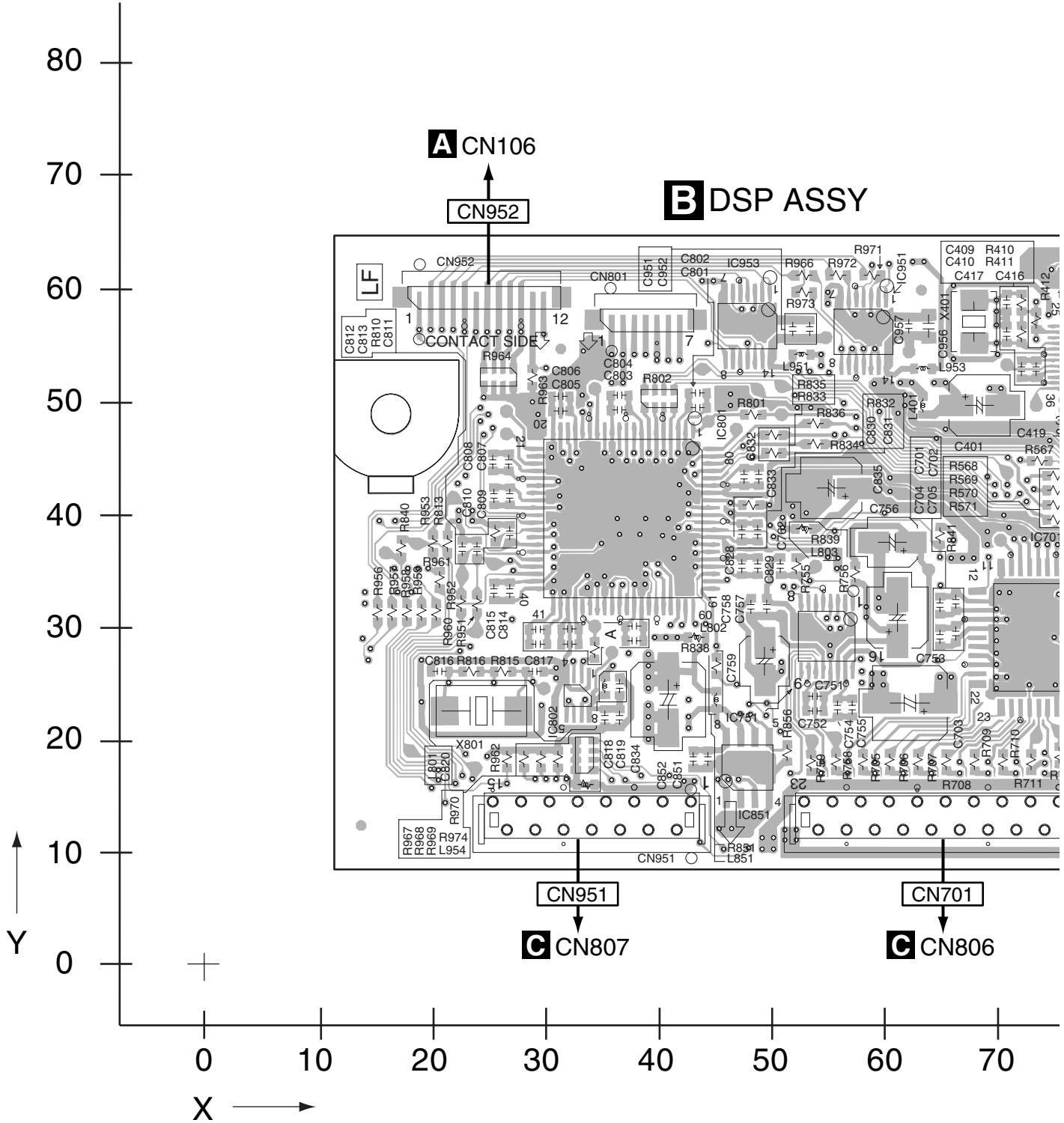
B

C

D

E

F





**SIDE A**

A

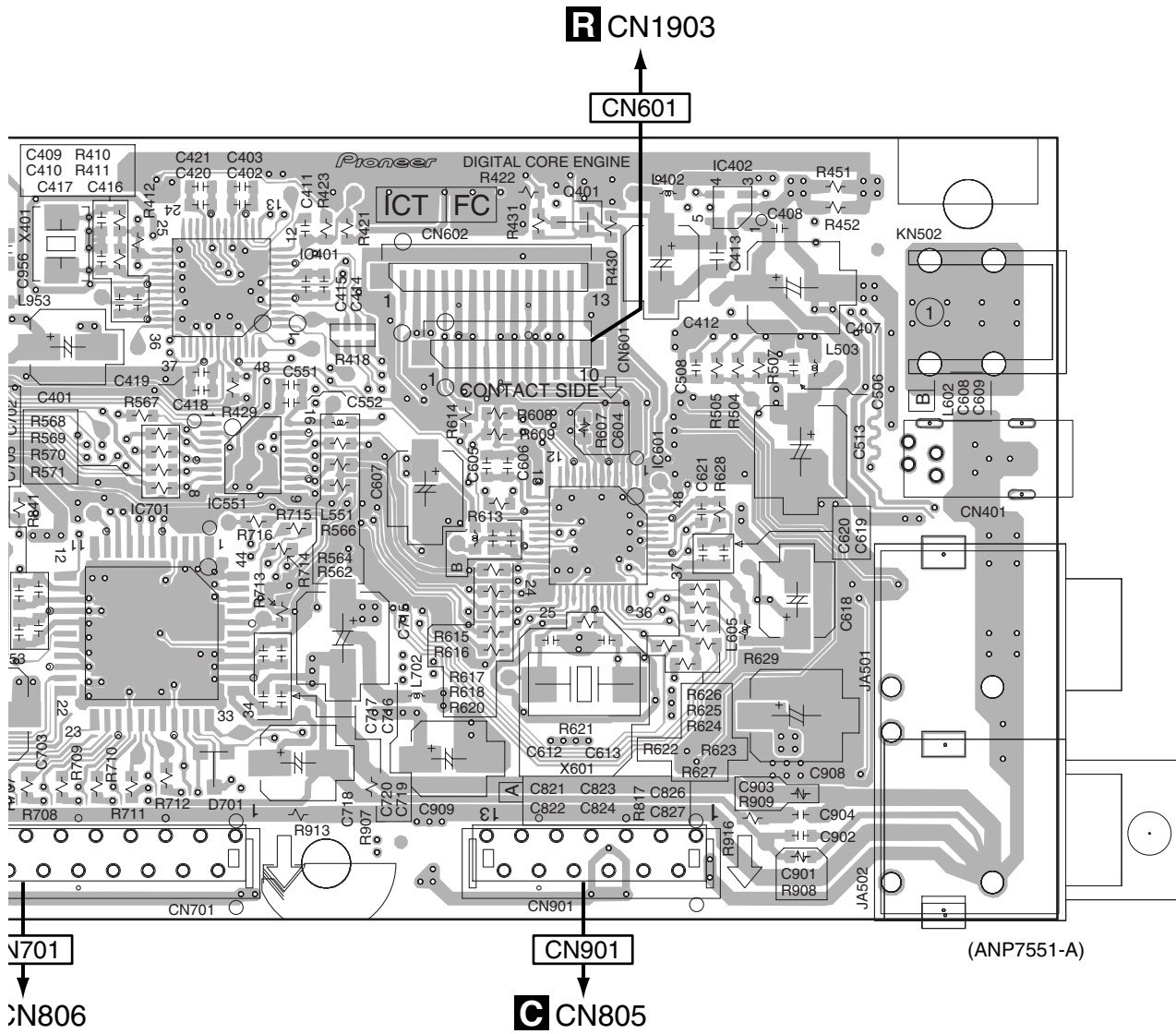
B

C

D

E

F



**R** CN1903

CN601

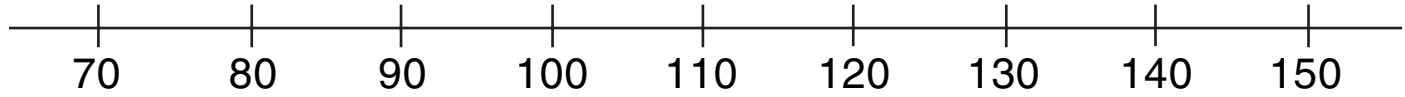
Pioneer DIGITAL CORE ENGINE  
ICT FC

CONTACT SIDE

(ANP7551-A)

V701  
CN806

CN901  
**C** CN805



**B**

**SIDE B**

A

B

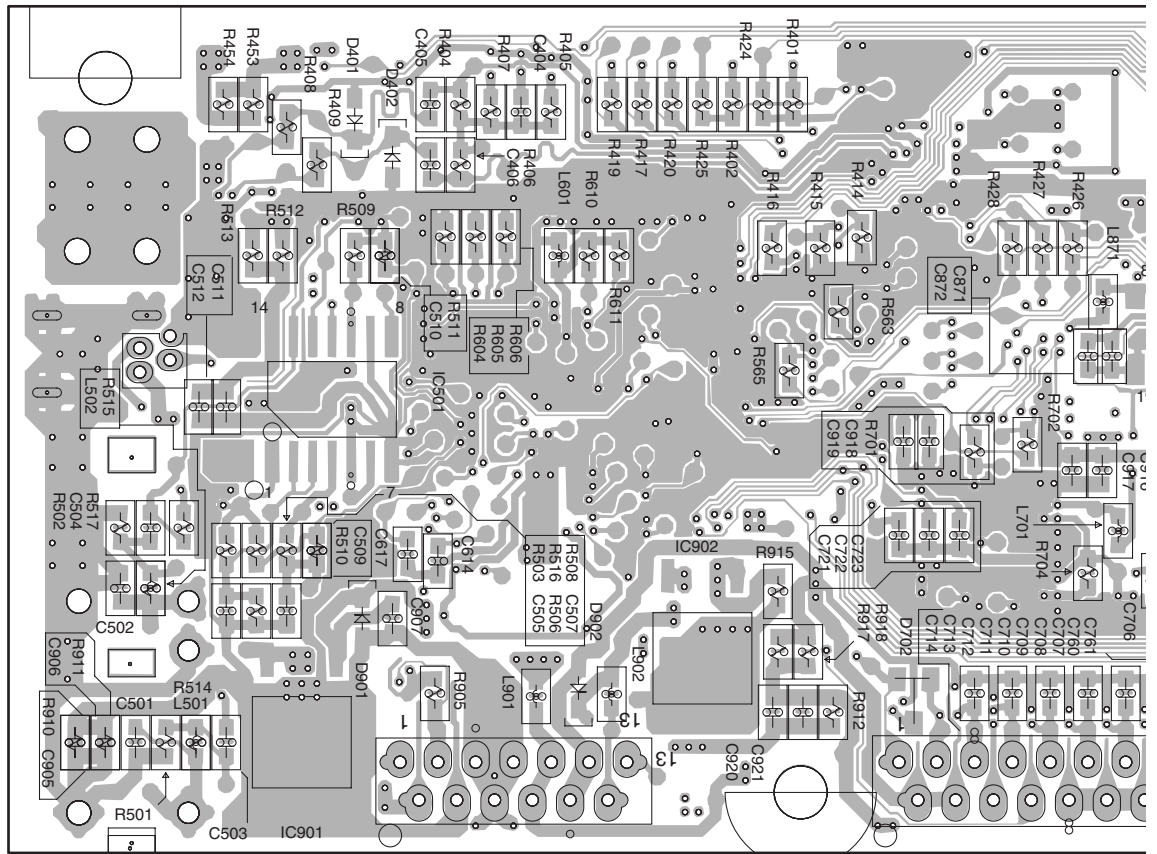
C

D

E

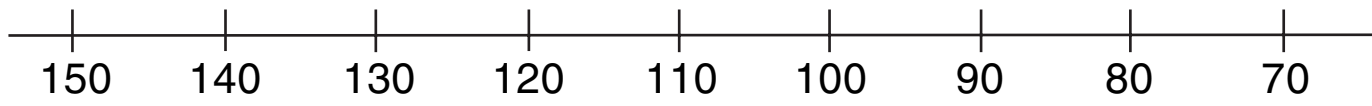
F

**B** DSP ASSY



CN901

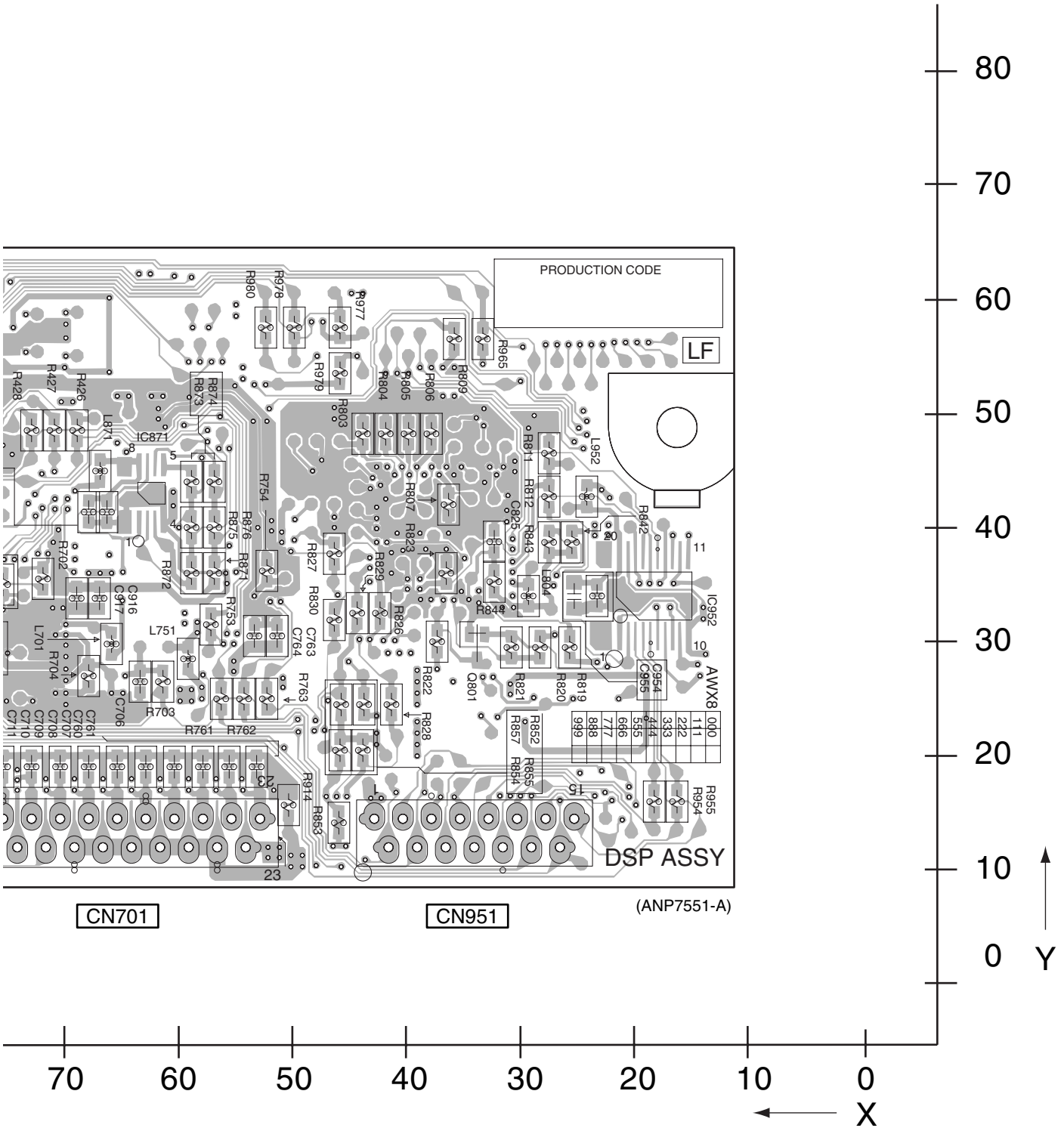
CN70



**B**

**SIDE B**

A  
B  
C  
D  
E  
F



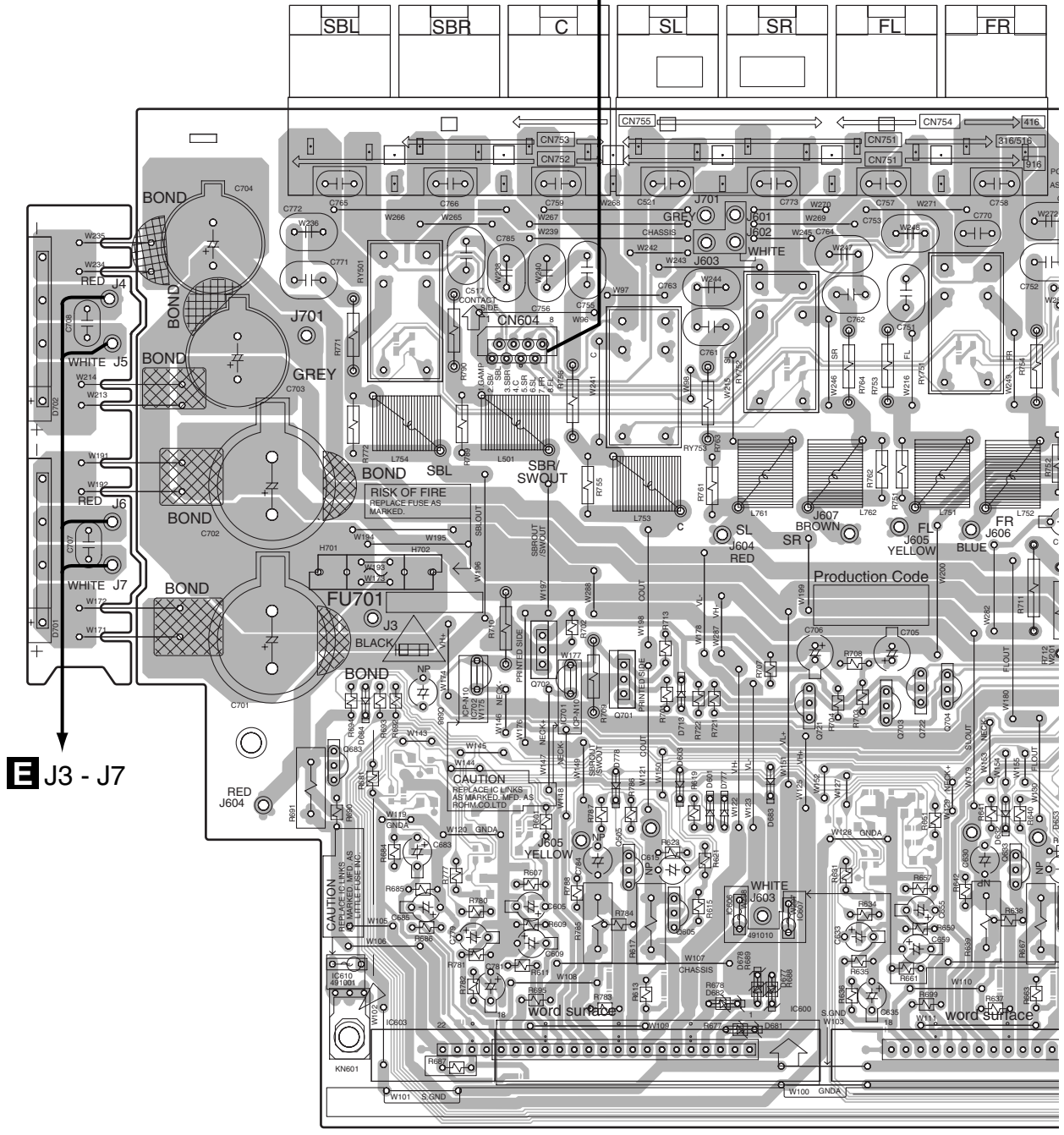
# 4.5 POWER PACK ASSY

**SIDE A**

**C POWER PACK ASSY**

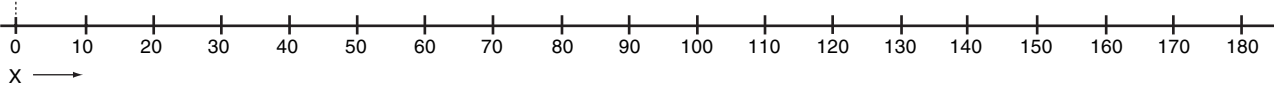
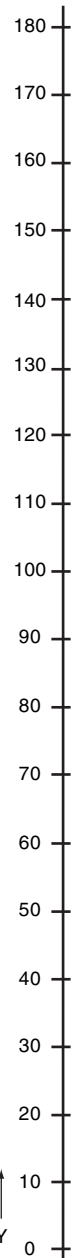
**H CN1575**

**CN604**



**E J3 - J7**

A  
B  
C  
D  
E  
F



**C**

60

VSX-816-K

1 2 3 4



SIDE B

A

B

C

D

E

F

# POWER PACK ASSY

810

CN803

CN701

CN702

CN805  
CN816

CN806  
CN815

CN815

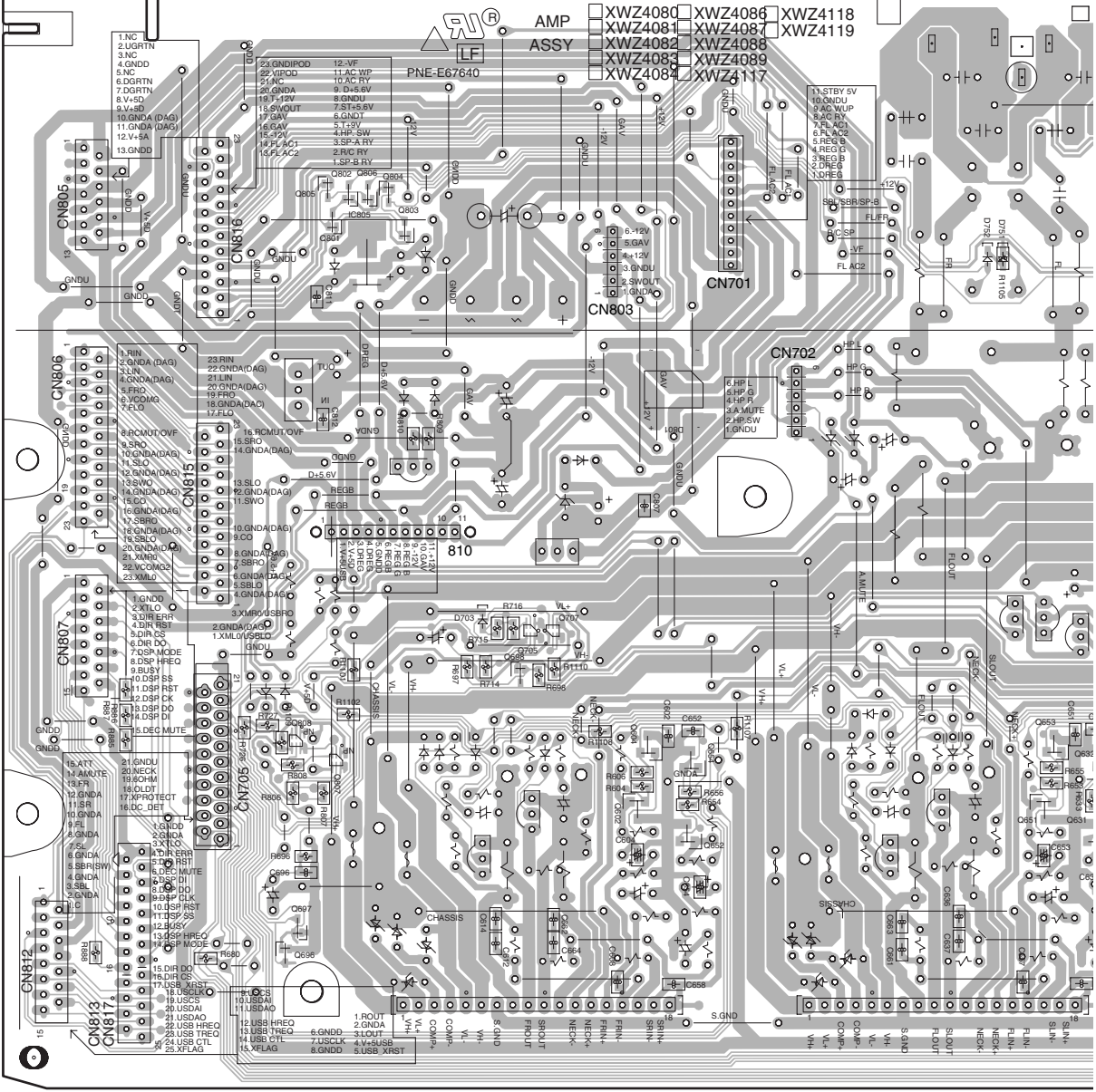
CN807

CN805  
CN705

CN812  
CN817

CN813  
CN817

XWZ4080	XWZ4086	XWZ4118
XWZ4081	XWZ4087	XWZ4119
XWZ4082	XWZ4088	
XWZ4083	XWZ4089	
XWZ4084	XWZ4117	



330 320 310 300 290 280 270 260 250 240 230 220 210 200 190 180 170 160



**SIDE B**

A

B

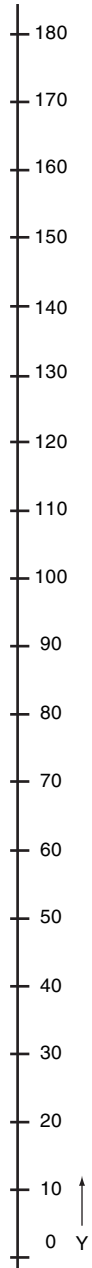
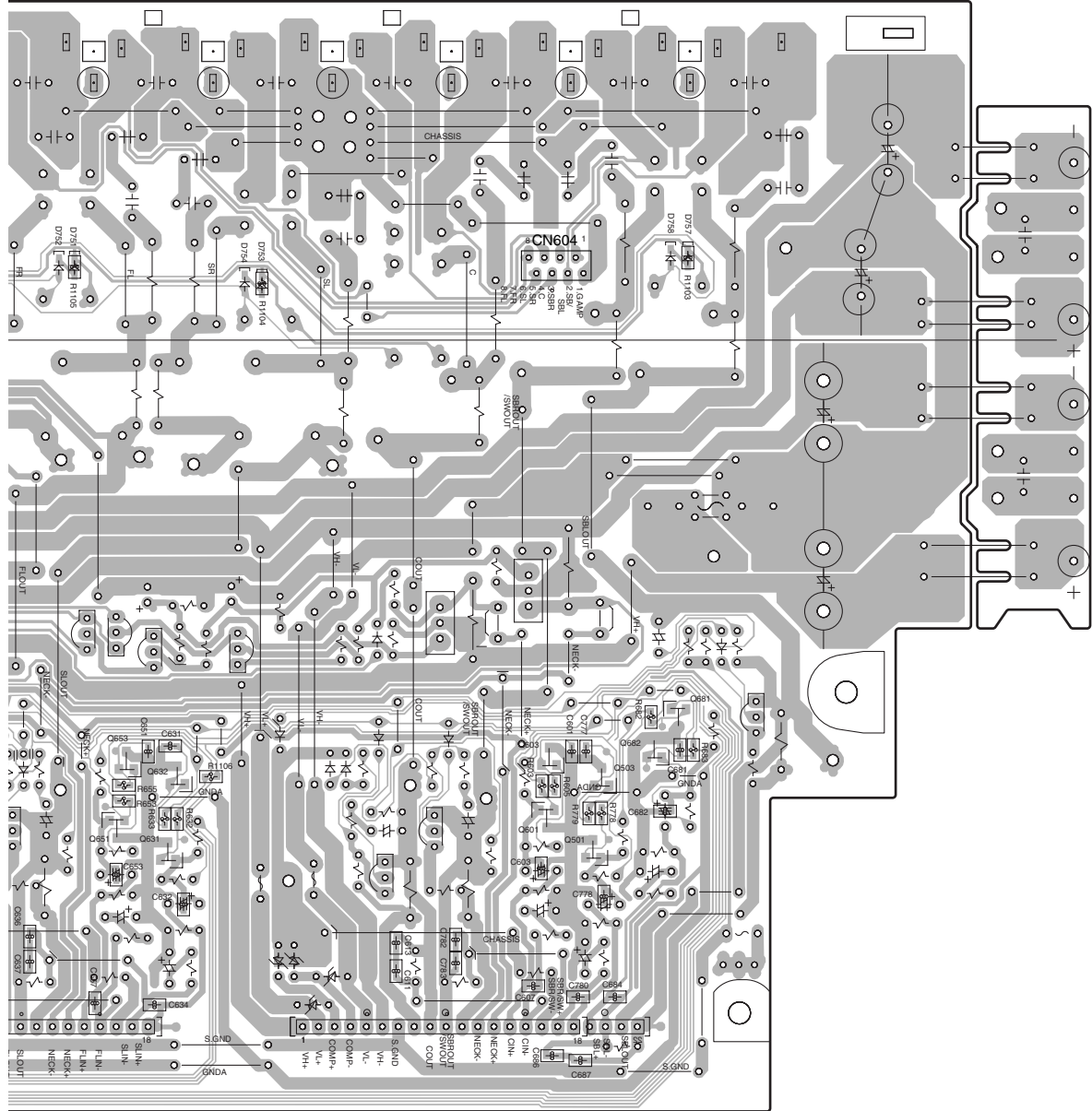
C

D

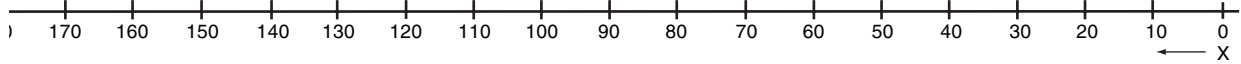
E

F

**CN604**



(XNP3101-C)



**VSX-816-K**

**C**

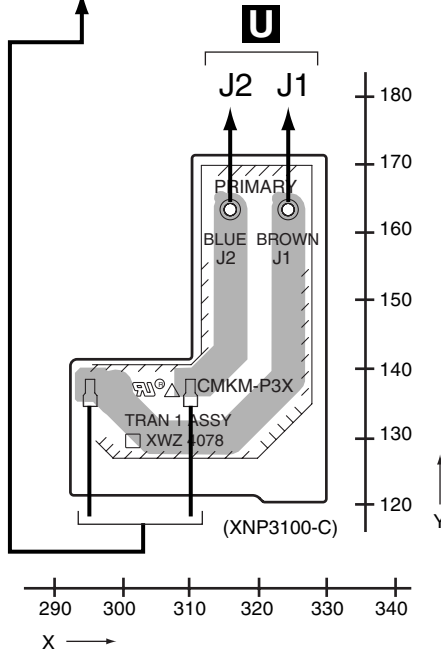
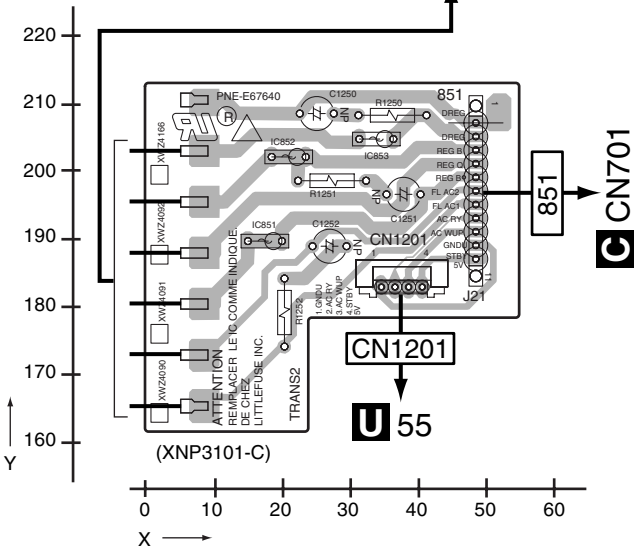
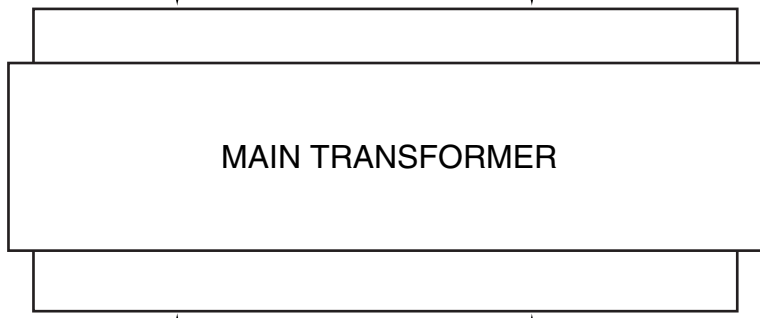
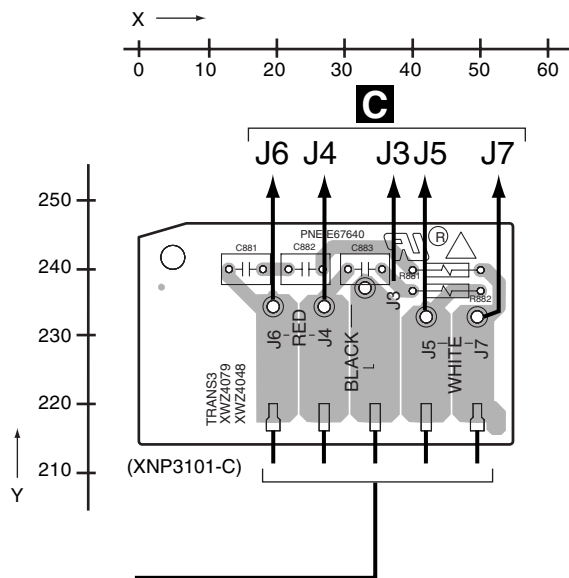
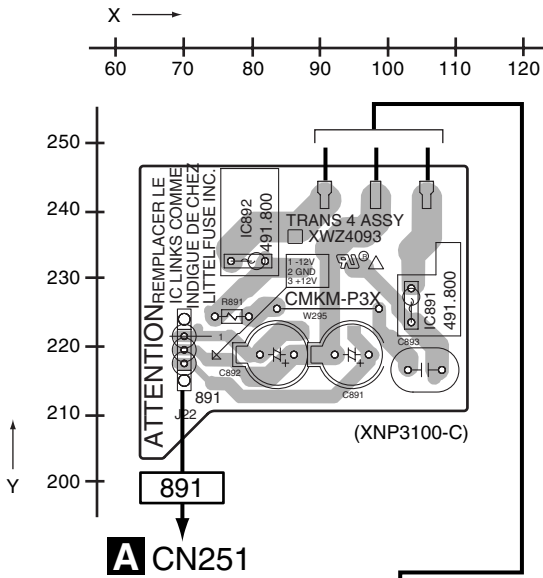
# 4.6 TRANS2, TRANS3, TRANS4 and TRANS1 ASSYS

**SIDE A**

**SIDE A**

**O** TRANS4 ASSY

**E** TRANS3 ASSY



**D** TRANS2 ASSY

**V** TRANS1 ASSY

**DEOV**

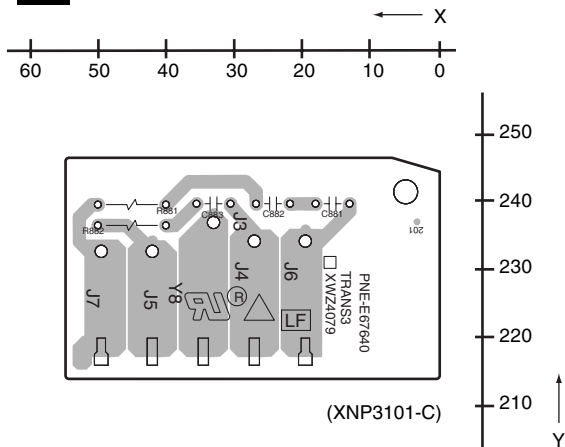
**DEOV**



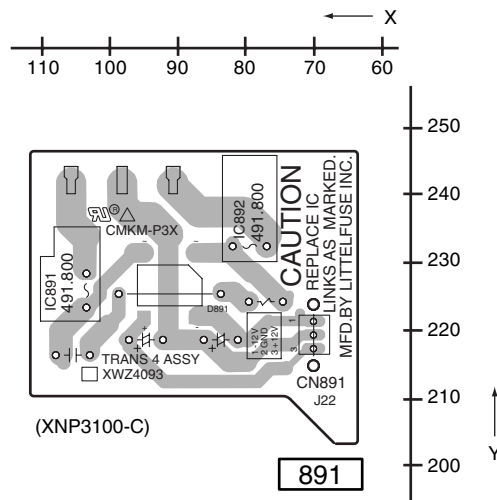
**SIDE B**

**SIDE B**

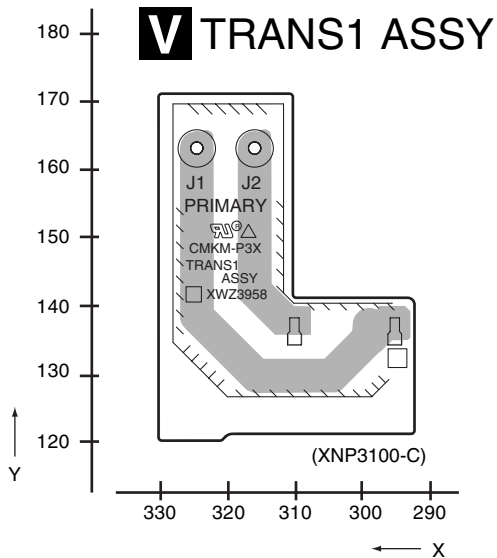
**E TRANS3 ASSY**



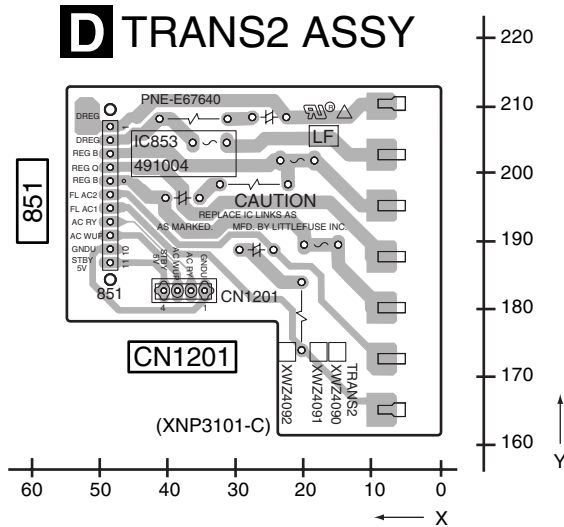
**O TRANS4 ASSY**



**V TRANS1 ASSY**



**D TRANS2 ASSY**



**D E O V**

**D E O V**

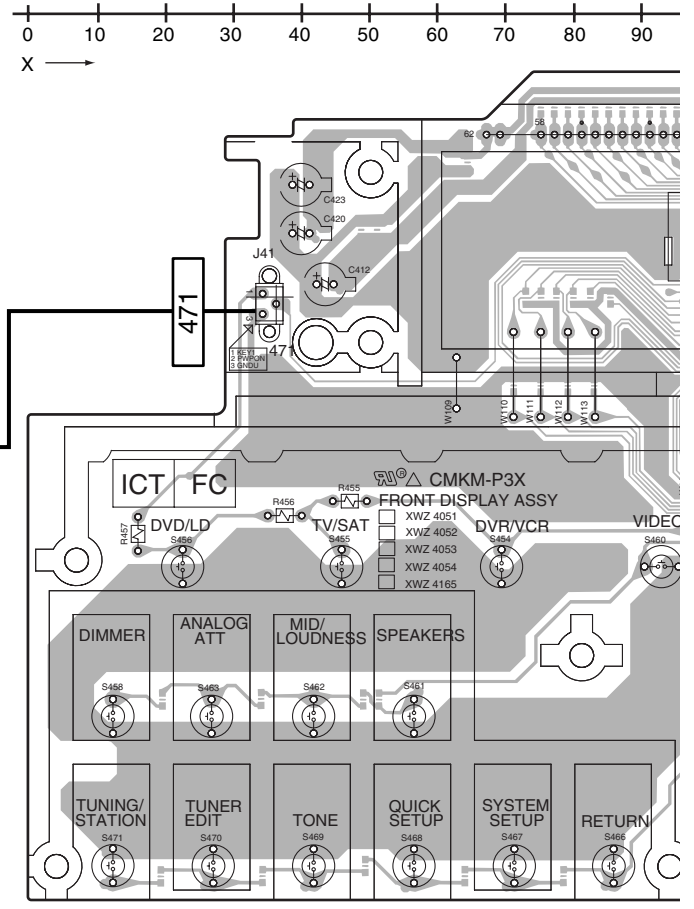
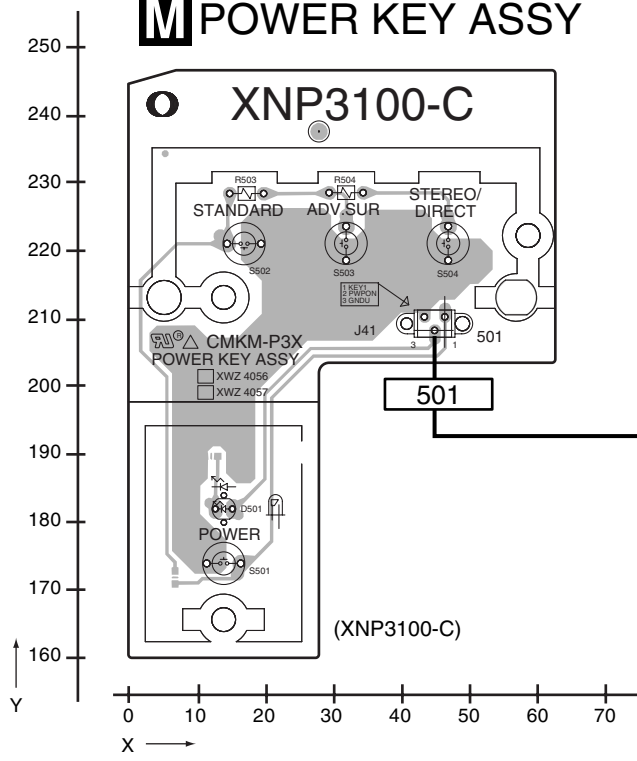




# 4.9 FRONT DISPLY, R. ENCODER and POWER KEY ASSYS

**SIDE A**

**M POWER KEY ASSY**



**K FRONT DISPLAY ASSY**





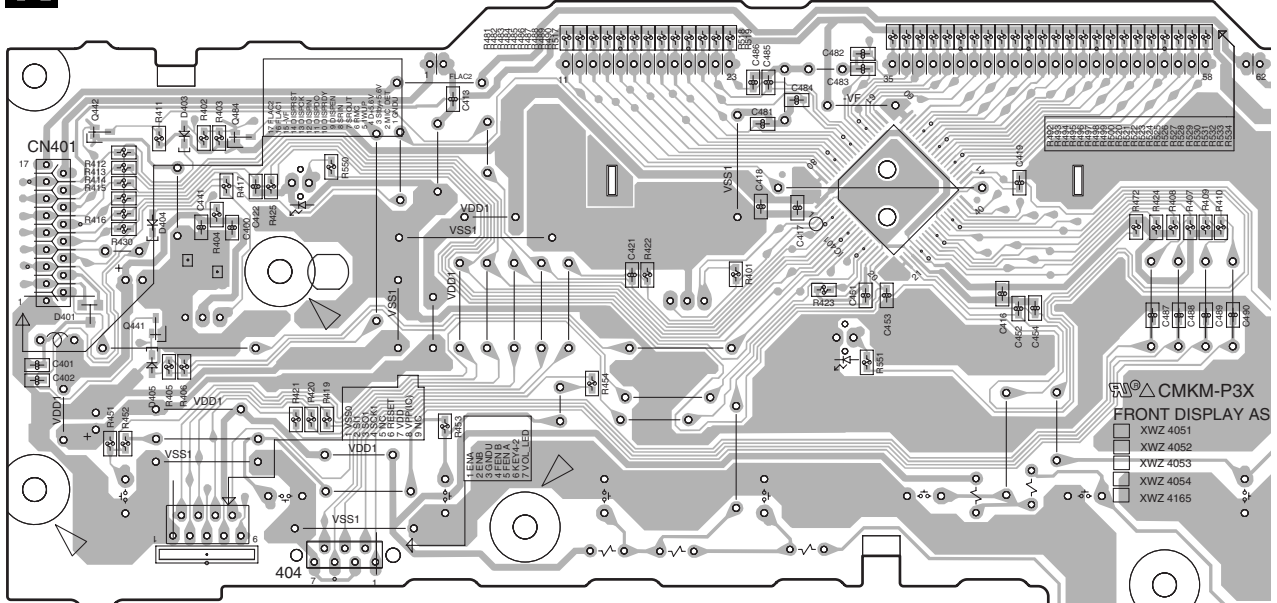
**SIDE B**

A

260 250 240 230 220 210 200 190 180 170 160 150 140 130 120 110 100 90 80 70

**K FRONT DISPLAY ASSY**

CN401



404

B

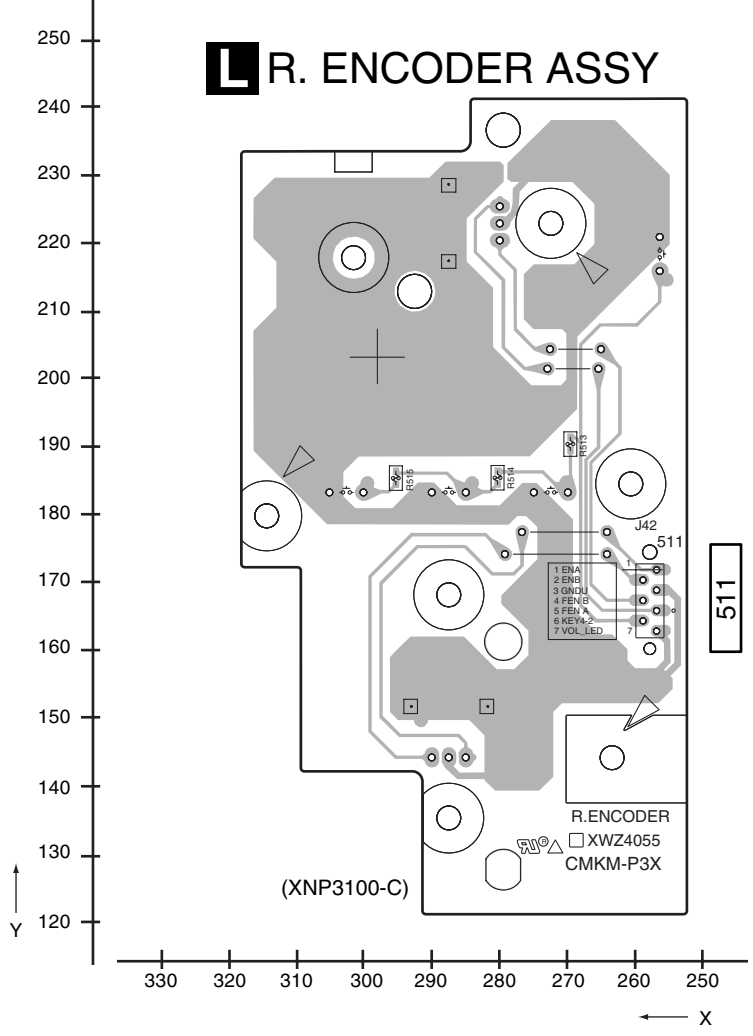
C

D

E

F

**L R. ENCODER ASSY**



511

(XNP3100-C)

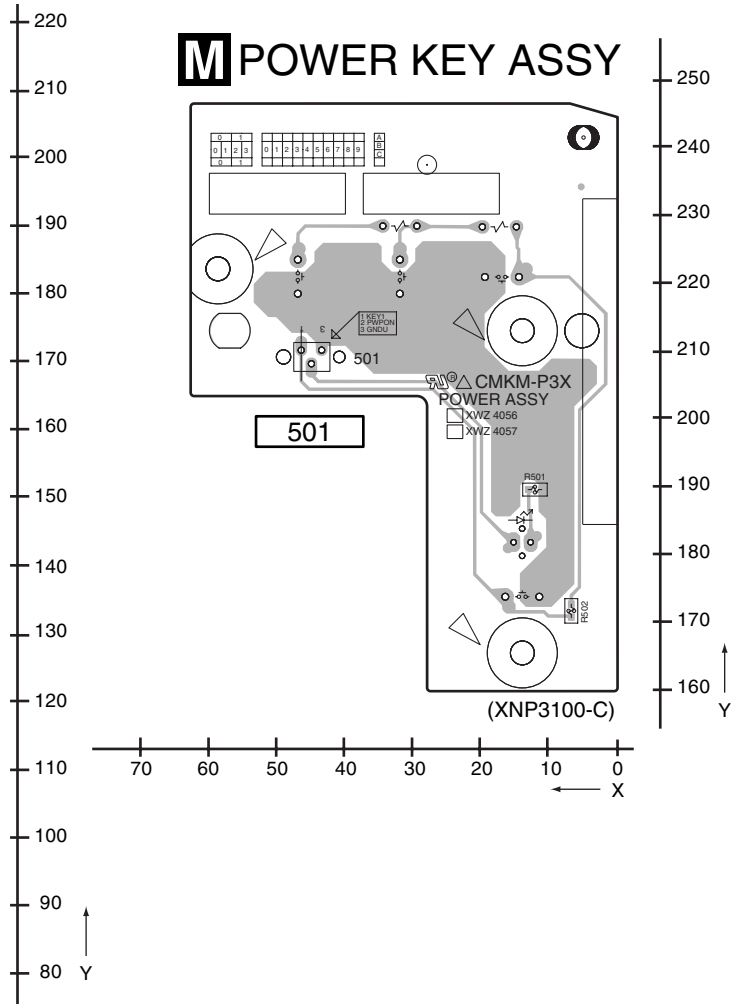
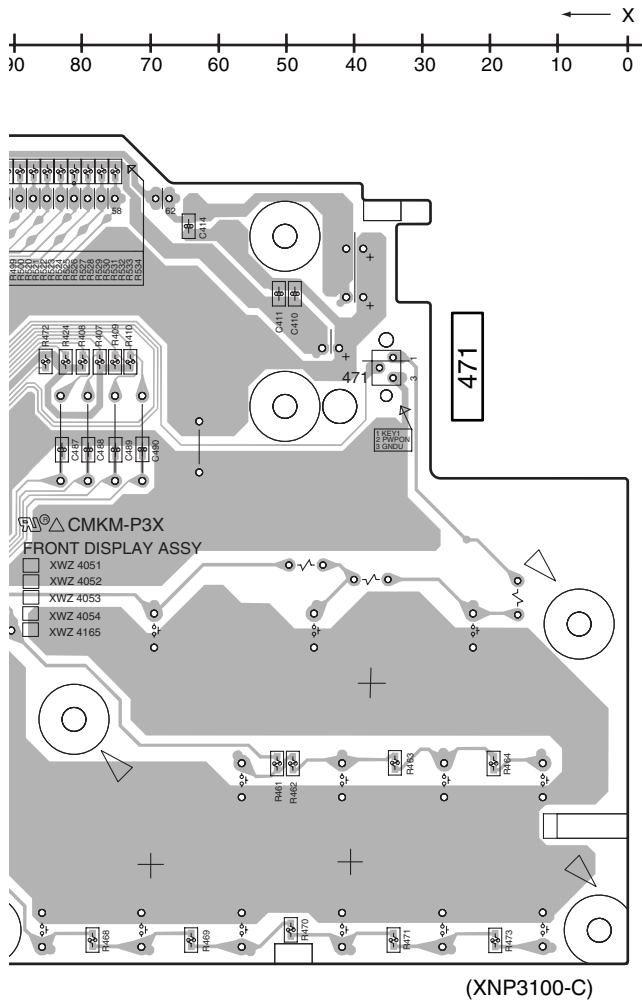
Y

330 320 310 300 290 280 270 260 250

X

**K L**

**SIDE B**



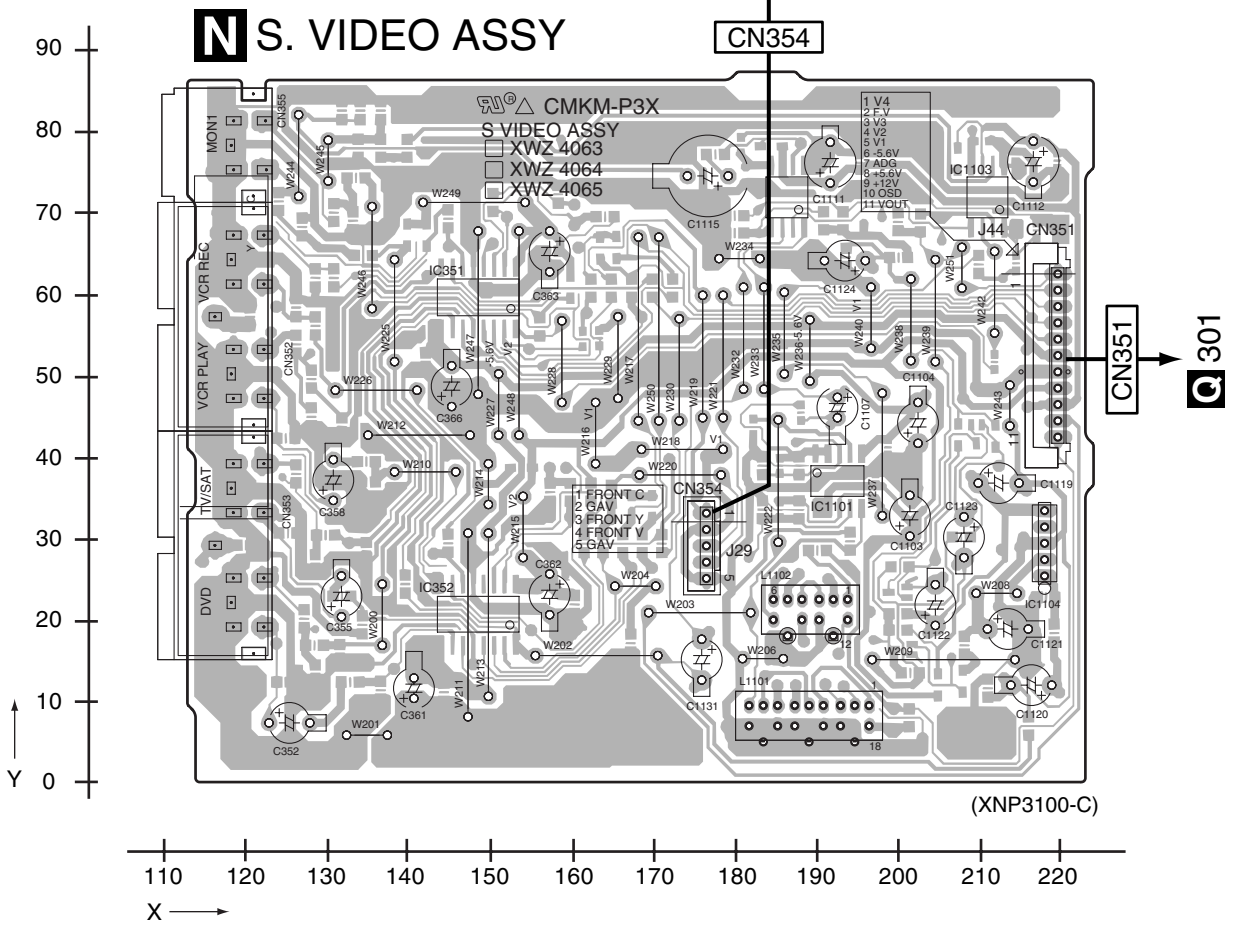
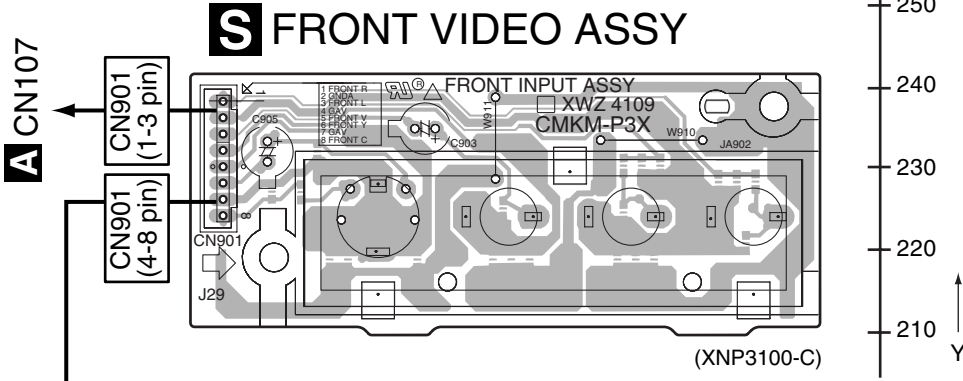
A  
B  
C  
D  
E  
F



# 4.10 S. VIDEO and FRONT VIDEO ASSYS

**SIDE A**

**SIDE A**



**S N**

**S N**



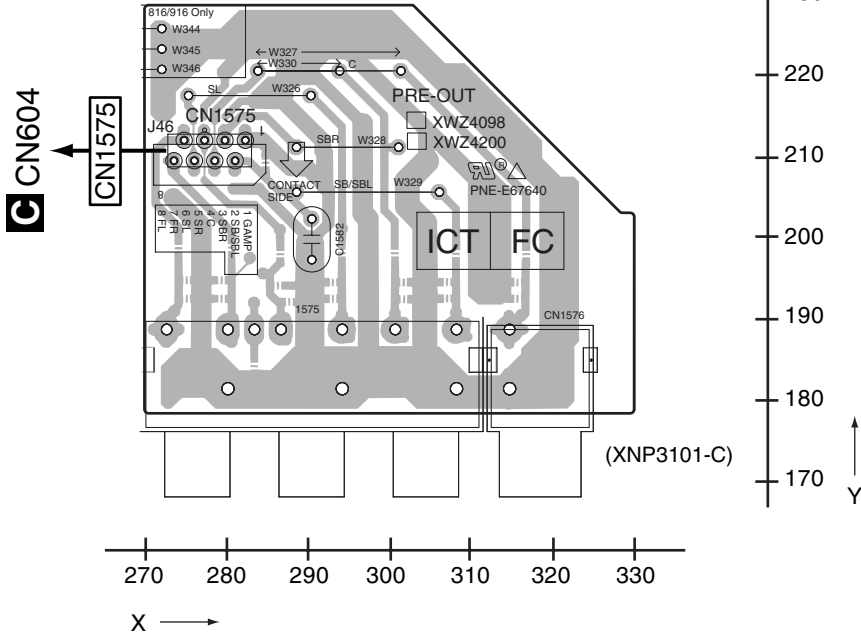


# 4.11 PRE-OUT ASSY

**SIDE A**

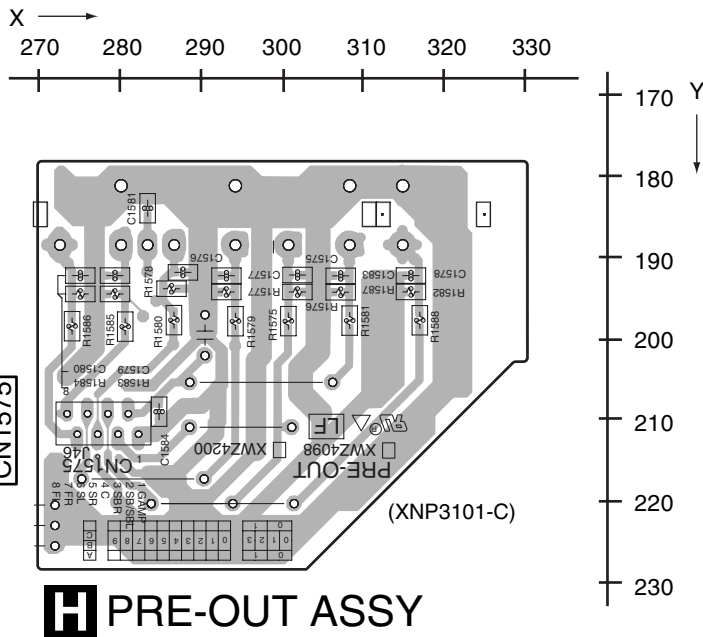
**SIDE A**

## PRE-OUT ASSY



**SIDE B**

**SIDE B**



## PRE-OUT ASSY

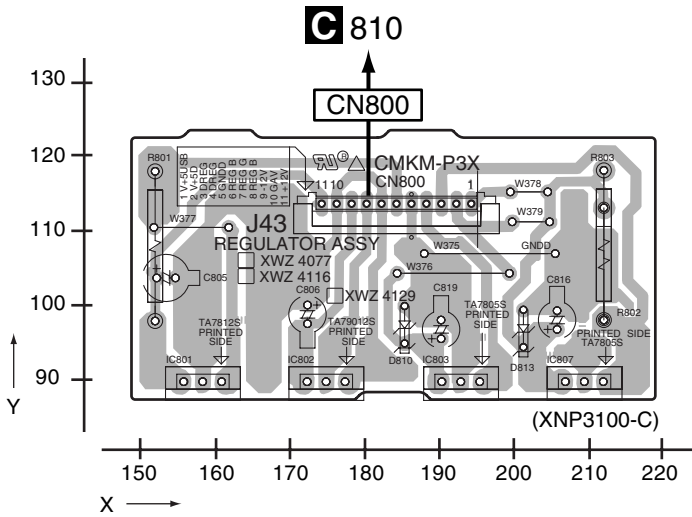


4.12 REGULATOR and DIGITAL IN ASSYS

**SIDE A**

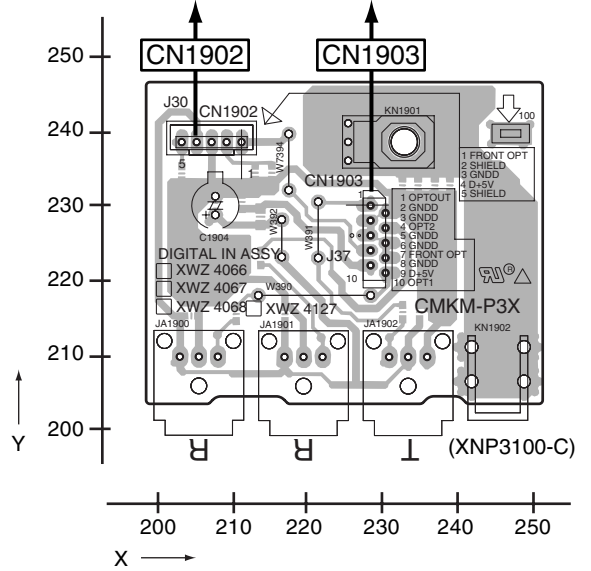
**SIDE A**

**P** REGULATOR ASSY



**R** DIGITAL IN ASSY

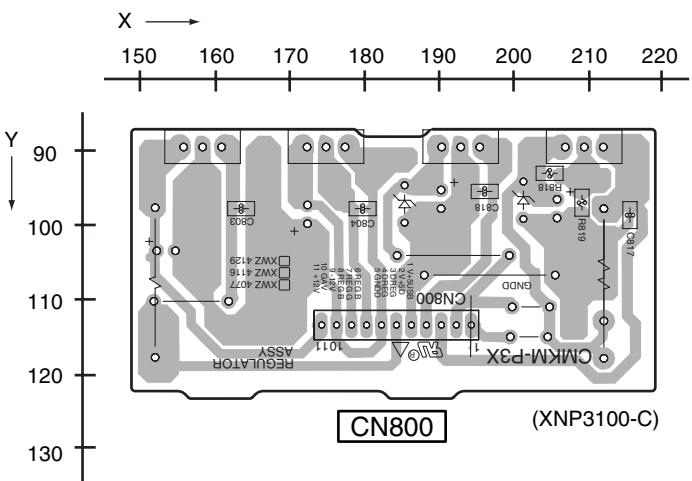
**X** CN951 **B** CN601



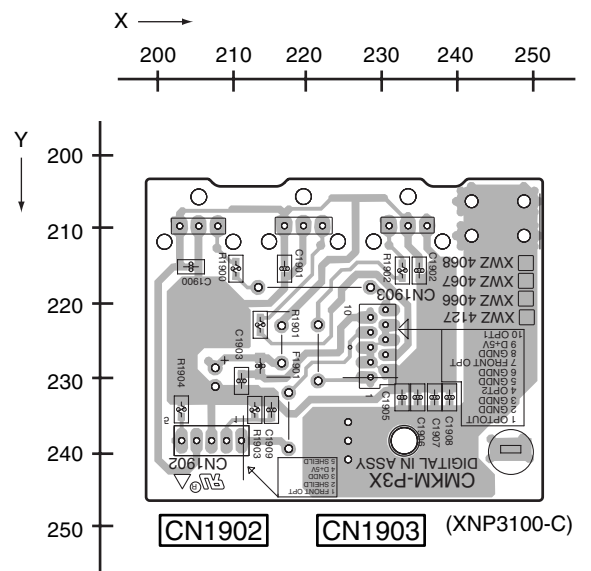
**SIDE B**

**SIDE B**

**P** REGULATOR ASSY



**R** DIGITAL IN ASSY



**P R**

**P R**

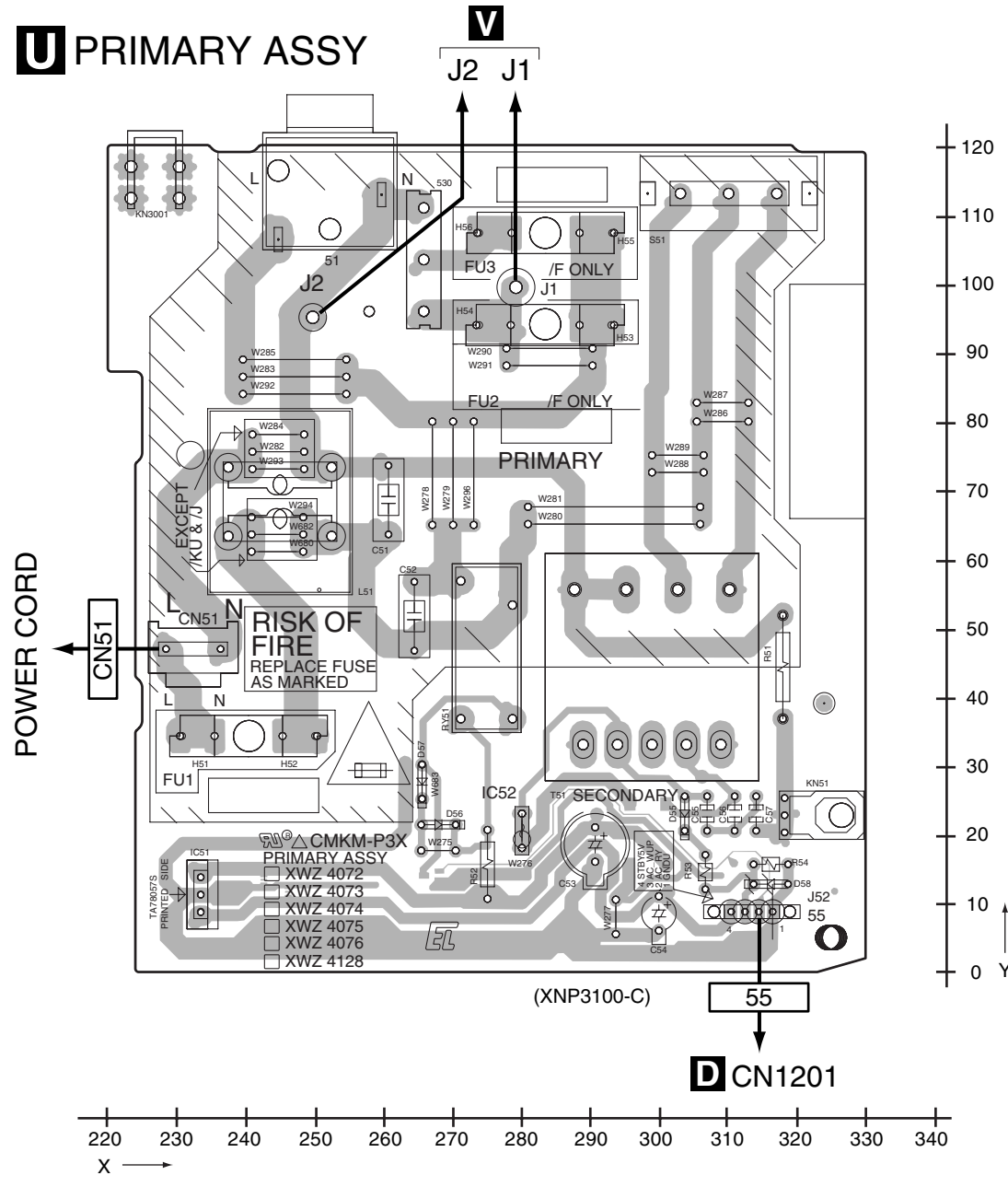
1 2 3 4

# 4.13 PRIMARY ASSY

**SIDE A**

**SIDE A**

**U** PRIMARY ASSY



**D** CN1201

**U**

**U**

SIDE B

SIDE B

A

B

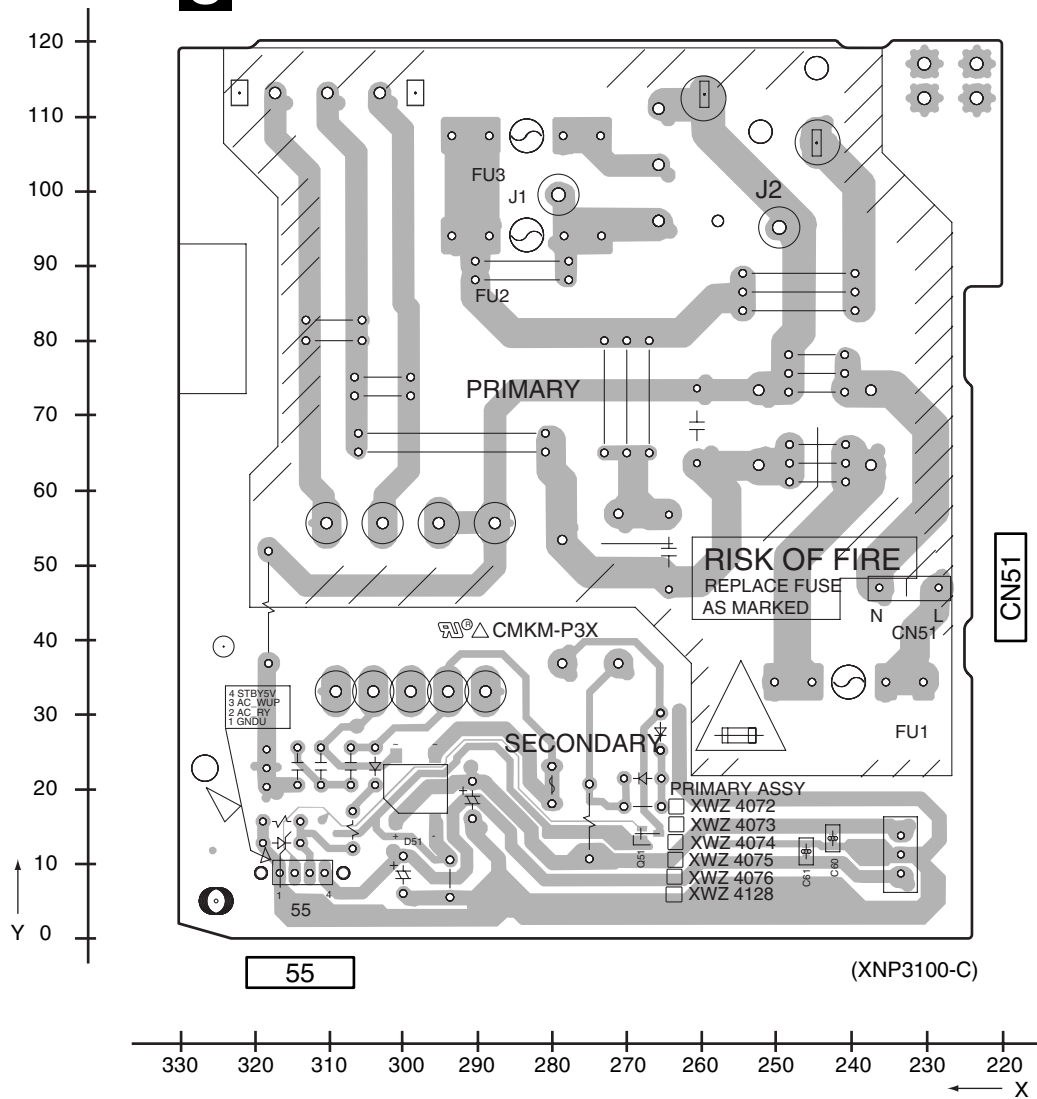
C

D

E

F

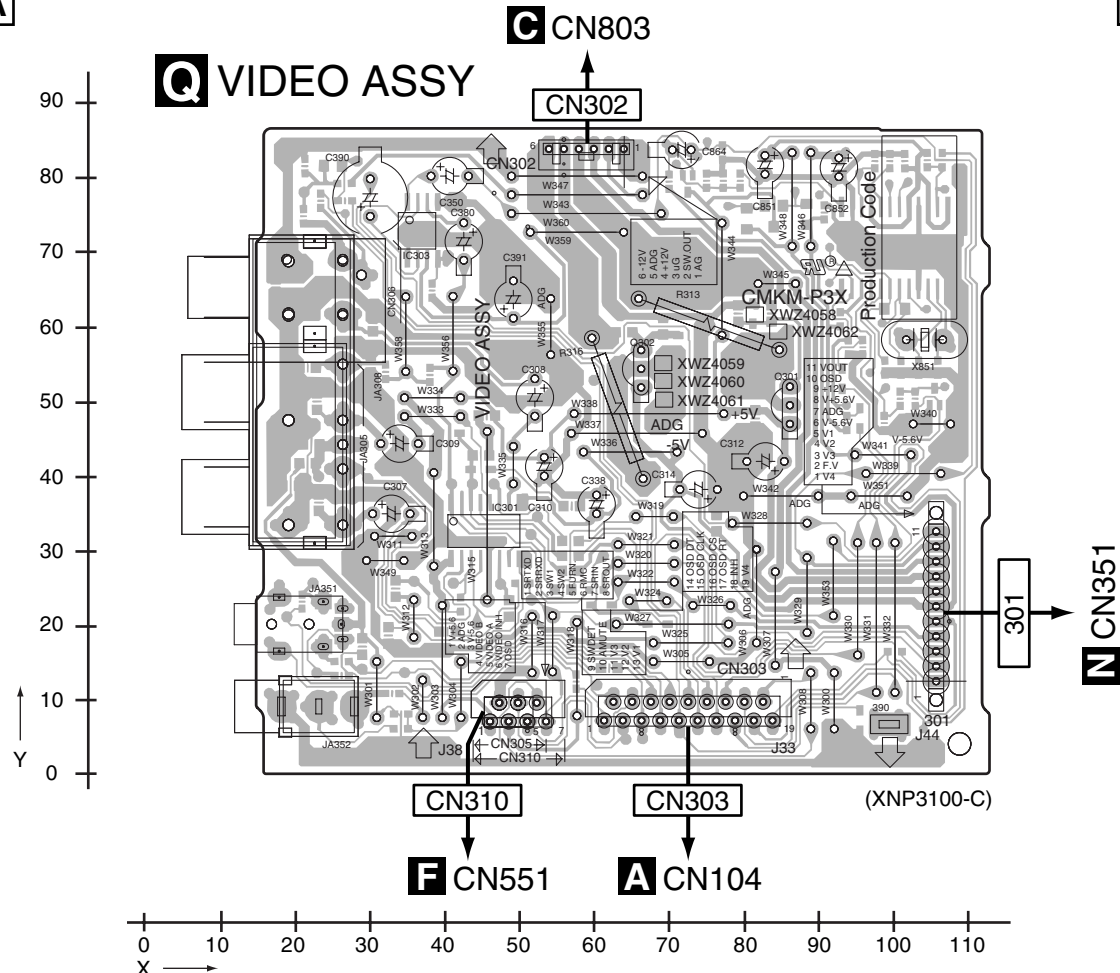
# U PRIMARY ASSY



# 4.14 VIDEO ASSY

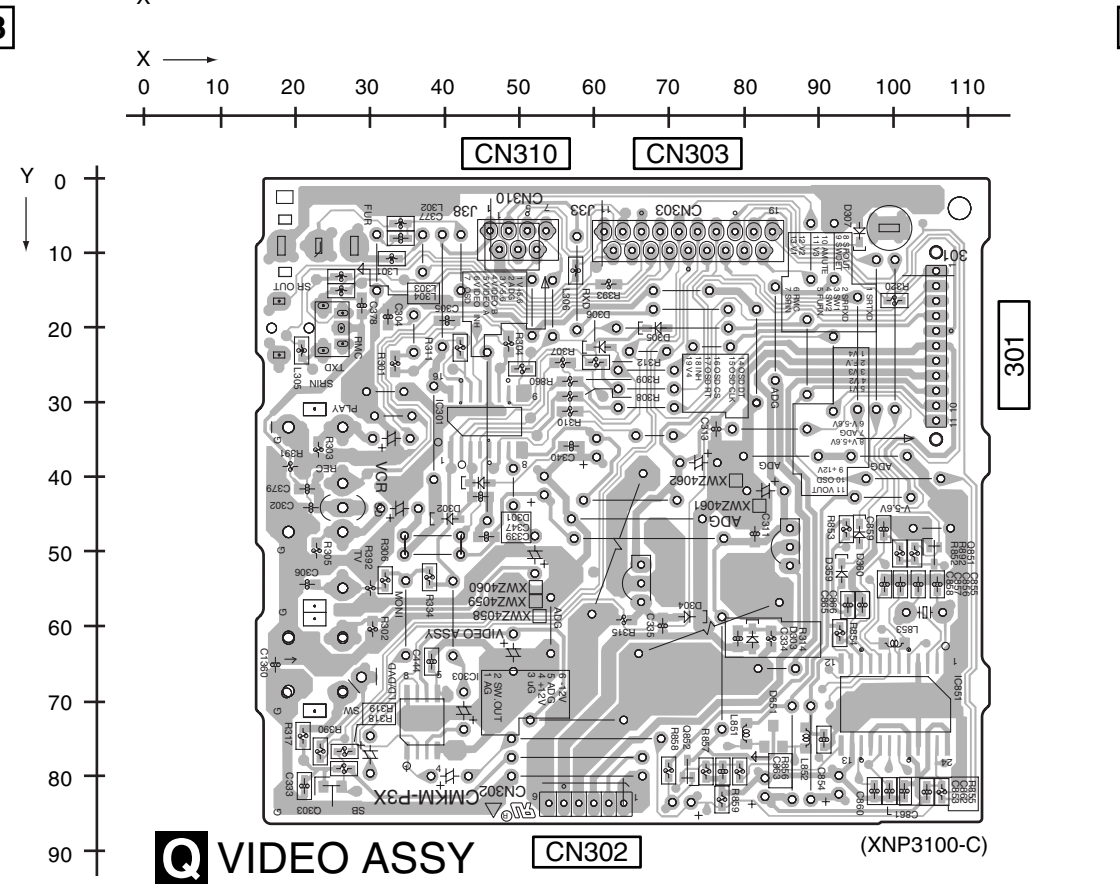
**SIDE A**

**SIDE A**



**SIDE B**

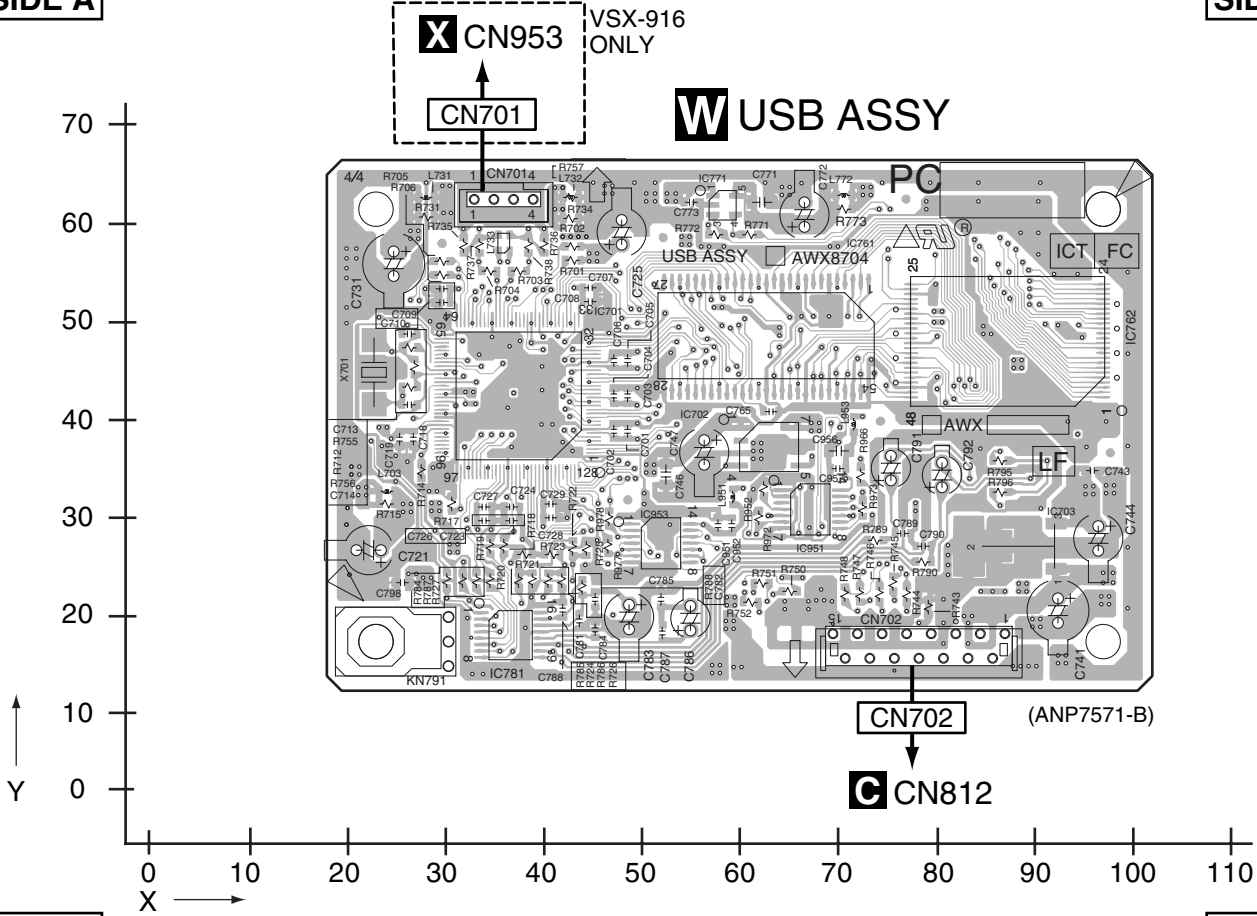
**SIDE B**



# 4.15 USB ASSY

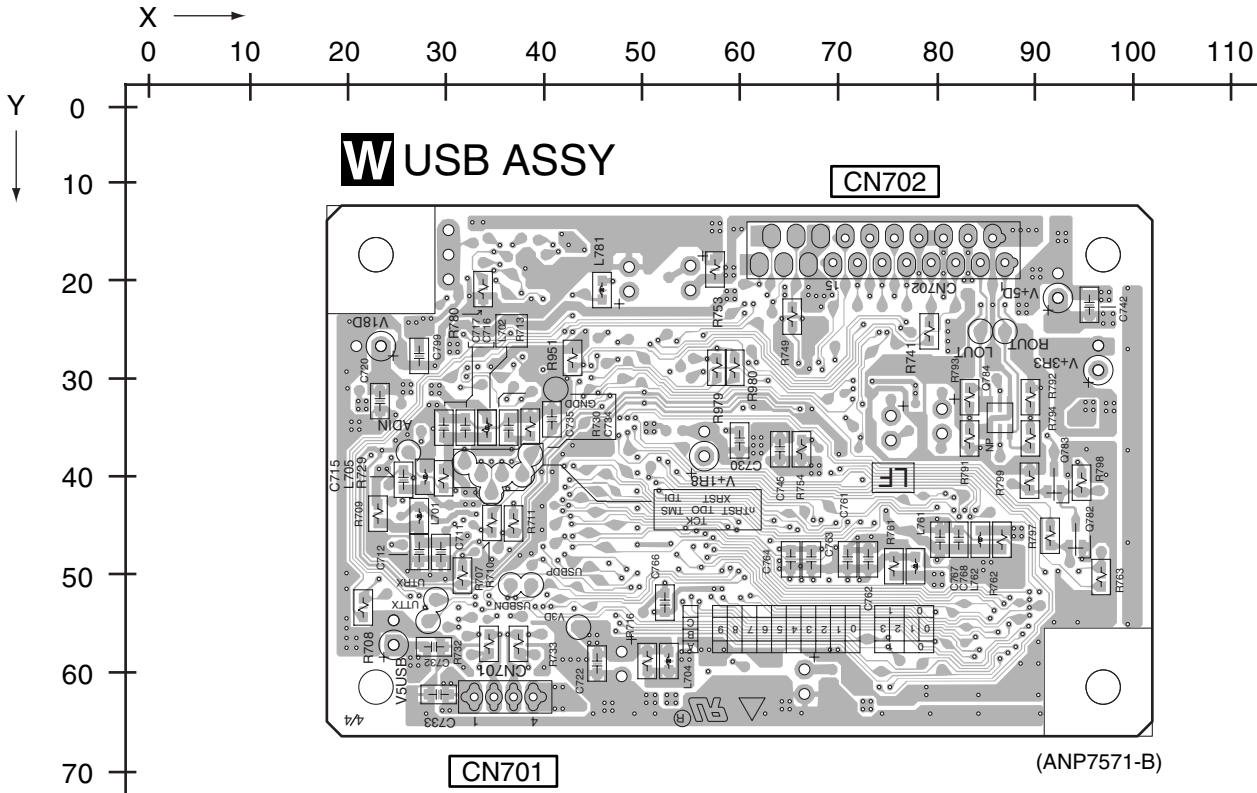
**SIDE A**

**SIDE A**



**SIDE B**

**SIDE B**



**W**

**W**

# 5. PCB PARTS LIST

NOTES: ● Parts marked by "NSP" are generally unavailable because they are not in our Master Spare Parts List.

● The  $\Delta$  mark found on some component parts indicates the importance of the safety factor of the part. Therefore, when replacing, be sure to use parts of identical designation.

● When ordering resistors, first convert resistance values into code form as shown in the following examples.

Ex.1 When there are 2 effective digits (any digit apart from 0), such as 560 ohm and 47k ohm (tolerance is shown by J=5%, and K=10%).

560  $\Omega$  → 56 x 10<sup>1</sup> → 561 ..... RD1/4PU 5 6 7 J

47k  $\Omega$  → 47 x 10<sup>3</sup> → 473 ..... RD1/4PU 4 7 3 J

0.5  $\Omega$  → R50 ..... RN2H R 5 0 K

1  $\Omega$  → 1R0 ..... RS1P 7 R 0 K

Ex.2 When there are 3 effective digits (such as in high precision metal film resistors).

5.62k  $\Omega$  → 562 x 10<sup>1</sup> → 5621 ..... RN1/4PC 5 6 2 1 F

● Meaning of the figures and others in the parentheses in the parts list.

Example IC 301 is on the point (face A, 91 of x-axis, and 111 of y-axis) of the corresponding PC board.

IC 301 (A, 91, 111) IC NJM2068V

## LIST OF ASSEMBLIES

Mark	Symbol and Description	VSX-816 /KUXJ/CA	VSX-916 /MYXJ5
NSP	1..MAIN ASSY	XWK3233	XWK3234
	1..DSP ASSY	AWX8699	AWX8572
	1..AMP ASSY	XWK3224	XWK3225
	2..POWER PACK ASSY	XWZ4087	XWZ4088
	2..TRANS2 ASSY	XWZ4166	XWZ4092
	2..TRANS3 ASSY	XWZ4079	XWZ4079
	2..HEADPHONE ASSY	XWZ4095	XWZ4095
	2..COMPONENT ASSY	XWZ4097	XWZ4097
	2..PRE-OUT ASSY	XWZ4098	XWZ4200
	2..5.1CH INPUT ASSY	XWZ4069	XWZ4069
	2..BINDER ASSY	XWZ4199	XWZ4199
	NSP	1..COMPLEX ASSY	XWK3214
2..FRONT DISPLAY ASSY		XWZ4054	XWZ4054
2..R. ENCODER ASSY		XWZ4055	XWZ4055
2..POWER KEY ASSY		XWZ4057	XWZ4057
2..VIDEO ASSY		XWZ4062	XWZ4062
2..S. VIDEO ASSY		XWZ4065	XWZ4065
2..DIGITAL IN ASSY		XWZ4067	XWZ4068
2..FRONT VIDEO ASSY		XWZ4109	XWZ4109
2..PRIMARY ASSY		XWZ4072	XWZ4073
2..REGULATOR ASSY		XWZ4129	XWZ4116
NSP	2..TRANS1 ASSY	XWZ4078	Not used
	2..TRANS4 ASSY	XWZ4093	XWZ4093
	1..USB IN ASSY	XWK3249	XWK3250
NSP	1..USB ASSY	Not used	AWX8704
NSP	1..FM/AM TUNER UNIT	AXX7210	AXX7170

## CONTRAST OF PCB ASSEMBLIES

### D TRANS2 ASSY

XWZ4092 and XWZ4166 are constructed the same except for the following:

Mark	Symbol and Description	XWZ4166	XWZ4092
$\Delta$	IC853 PROTECTOR(5A)	AEK7019	Not used
$\Delta$	IC853 PROTECTOR(7A)	Not used	AEK7021



## H PRE-OUT ASSY

XWZ4200 and XWZ4098 are constructed the same except for the following:

Mark	Symbol and Description	XWZ4098	XWZ4200
	C1582	Not used	CQMBA102J50

## P REGULATOR ASSY

XWZ4116 and XWZ4129 are constructed the same except for the following:

Mark	Symbol and Description	XWZ4129	XWZ4116
⚠	D810	Not used	MTZJ6.2B
	IC803	Not used	TA7805S
	C818	Not used	CKSRYB103K25
	C819	Not used	CEAT101M10

## R DIGITAL IN ASSY

XWZ4068 and XWZ4067 are constructed the same except for the following:

Mark	Symbol and Description	XWZ4067	XWZ4068
	JA1902 OPT. LINK OUT	Not used	GP1FAV51TK0F
	R1902	Not used	RS1/16S101J
	C1902	Not used	CQMBA102J50

## U PRIMARY ASSY

XWZ4073 and XWZ4072 are constructed the same except for the following:

Mark	Symbol and Description	XWZ4072	XWZ4073
⚠	D57	Not used	1SS133
⚠	L51	Not used	XTF3004
⚠	T51 STANDBY TRANSFORMER	ATT7043	ATT7040
⚠	51 AC SOCKET 1-P	AKP1060	Not used
⚠	530 3P TERMINAL	Not used	AKC-081
⚠	R51 (2.2M, 1/2W)	RCN1080	Not used

## X USB IN ASSY

XWK3250 and XWK3249 are constructed the same except for the following:

Mark	Symbol and Description	XWK3249	XWK3250
	L970	Not used	ATH7015
	CN953 KR CONNECTOR	Not used	B4B-PH-K-S
	JA953 USB CONNECTOR	Not used	XKP3086
	R979, R980	Not used	RS1/16S0R0J
	C969	Not used	CKSRYB104K16
	C970	Not used	CEVW101M16

## PCB PARTS LIST FOR VSX-816/KUXJ/CA UNLESS OTHER WISE NOTED

Mark No.	Description	Part No.	Mark No.	Description	Part No.
<b>COMPLEX ASSY</b>			IC 106 (A,198,41)	OP-AMP IC	BA4560RF
			IC 107 (A,216,88)	OP-AMP IC	BA4560RF
<b>MISCELLANEOUS</b>			IC 108 (B,255,64)	8CH E-VOL	R2S15205FP
J 41	JUMPER WIRE	D15A03-100-2651	IC 110 (A,237,73)	IC	TC4066BFN
J 42	JUMPER WIRE	D15A07-125-2651	IC 251 (A,85,102)	OP-AMP IC	HA17558AF
<b>A MAIN ASSY (XWK3233)</b>			IC 310 (A,142,40)	OP-AMP IC	BA4560RF
			IC 311 (A,152,59)	OP-AMP IC	BA4560RF
<b>MISCELLANEOUS</b>			IC 312 (A,142,77)	OP-AMP IC	BA4560RF
IC 103 (A,198,72)	OP-AMP IC	BA4560RF	IC 315 (A,160,90)	OP-AMP IC	BA4560RF
IC 104 (A,198,56)	OP-AMP IC	BA4560RF	IC 6001(A,135,21)	IC	TC74VHCT125AFTS1
IC 105 (A,198,87)	OP-AMP IC	BA4560RF	IC 9001(B,82,64)	CPU	PEG216A
			IC 9002(A,103,44)	EEPROM	BR24L16FV-W

**Mark No. Description Part No.**

Q 231 (A,225,69) DIGITAL TR(SC-70) RT1P241M  
 Q 232 (A,229,69) TRANSISTOR RT1N241M  
 A Q 252 (A,68,105) TRANSISTOR 2SD1858X  
 Q 253 (A,75,108) TRANSISTOR RT1N241M  
 Q 254 (A,72,98) DIGITAL TR(SC-70) RT1P241M

Q 255 (A,75,98) TRANSISTOR RT1N241M  
 Q 256 (A,75,94) CHIP TRANSISTOR 2SD2704K  
 Q 257 (A,78,108) TRANSISTOR 2SA1576A  
 Q 361 (A,166,78) CHIP TRANSISTOR 2SD2704K  
 Q 9001(A,125,87) DIGITAL TR(SC-70) RT1N431M

Q 9002(A,66,80) DIGITAL TR(SC-70) RT1P241M  
 Q 9003(A,65,75) DIGITAL TR(SC-70) RT1P241M  
 B Q 9007(A,69,85) TRANSISTOR DTC143TK  
 Q 9064(A,59,80) DIGITAL TR(SC-70) RT1P241M  
 Q 9065(A,55,78) TRANSISTOR UMD2N

D 103 (B,173,35) DIODE DAN217U  
 D 105 (B,163,37) DIODE DAN217U  
 D 107 (B,166,37) DIODE DAN217U  
 D 251 (A,83,96) DIODE DAN217U  
 D 253 (A,70,114) DIODE UDZS27(B)

D 254 (A,90,104) DIODE UDZS5R1(B)  
 D 311 (B,259,93) DIODE 1SS355  
 D 312 (B,268,93) DIODE 1SS355  
 C D 331 (B,260,87) DIODE UDZS6R8(B)  
 D 332 (B,263,87) DIODE UDZS6R8(B)

D 6001(A,149,22) DIODE 1SS355  
 D 9001(A,125,103) DIODE DAP202U  
 D 9002(A,119,103) DIODE DAP202U  
 D 9003(A,122,103) DIODE DAN202U  
 D 9006(B,99,89) DIODE DAN217U

D 9007(B,91,89) DIODE DAN217U  
 D 9010(A,128,88) DIODE 1SS355  
 D 9011(A,60,75) DIODE DAN202U  
 D 9064(A,58,75) DIODE DAP202U  
 D 9065(A,63,80) DIODE DAP202U

D 9068(A,53,81) DIODE 1SS355  
 L 101 (B,260,98) CHIP SOLID INDUCTOR QTL1013  
 L 102 (B,265,97) CHIP SOLID INDUCTOR QTL1013  
 L 5002(A,257,104) CHIP SOLID INDUCTOR QTL1013  
 L 9001(A,123,107) CHIP SOLID INDUCTOR ATL7002

L 9002(A,121,107) CHIP SOLID INDUCTOR ATL7002  
 L 9003(A,106,98) RADIAL INDUCTOR LFCA2R2J  
 X 9001(A,96,53) CERAMIC RESONATOR XSS3004  
 (15.7 MHz)

EN101 (A,41,27) CONNECTOR CKS3382  
 EN103 (A,230,17) 11P CONNECTOR 52044-1145

CN104 (A,250,13) CONNECTOR CKS3384  
 CN105 (A,266,34) CONNECTOR CKS3372  
 CN106 (A,101,18) 12P CONNECTOR VKN1243  
 CN107 (A,39,99) CONNECTOR POST B3B-PH  
 CN108 (A,41,55) CONNECTOR CKS3370

CN109 (A,230,113) 19P SOCKET XKP3054  
 CN111 (A,276,113) 21P SOCKET XKP3091  
 CN112 (A,91,41) CONNECTOR CKS3382  
 CN114 (A,189,113) 21P SOCKET XKP3091  
 CN115 (A,302,21) PIN JACK(4P) AKB7114

F CN116 (A,302,49) PIN JACK(4P) AKB7114  
 CN117 (A,302,77) PIN JACK(4P) AKB7114  
 CN118 (A,302,105) PIN JACK(4P) AKB7114  
 CN251 (A,39,83) 3P JUMPER CONNECTOR 52147-0310

**Mark No. Description Part No.**

CN252 (A,37,69) 3P TOP POST B3B-EH

101 PCB BINDER VEF1040  
 102 PCB BINDER VEF1040

**RESISTORS**

R 101 (B,282,19) RS1/16S331J  
 R 102 (B,293,12) RS1/16S331J  
 R 103 (B,283,62) RS1/16S222J  
 R 104 (B,283,52) RS1/16S222J  
 R 105 (B,283,47) RS1/16S331J

R 106 (B,293,40) RS1/16S331J  
 R 107 (B,283,87) RS1/16S331J  
 R 108 (B,293,81) RS1/16S331J  
 R 109 (B,283,73) RS1/16S331J  
 R 110 (B,293,68) RS1/16S331J

R 111 (B,283,115) RS1/16S222J  
 R 112 (B,283,106) RS1/16S222J  
 R 113 (B,283,101) RS1/16S331J  
 R 114 (B,293,96) RS1/16S331J  
 R 129 (B,283,34) RS1/16S331J

R 130 (B,283,25) RS1/16S331J  
 R 145 (A,71,73) RS1/16S102J  
 R 146 (A,71,74) RS1/16S102J  
 R 147 (B,233,67) RS1/16S472J  
 R 148 (B,228,62) RS1/16S472J

R 149 (A,259,45) RS1/16S104J  
 R 154 (B,294,51) RS1/16S0R0J  
 R 155 (B,293,58) RS1/16S0R0J  
 R 156 (B,295,107) RS1/16S0R0J  
 R 157 (B,293,114) RS1/16S0R0J

R 180 (B,278,97) RS1/16S0R0J  
 R 181 (B,272,78) RS1/16S0R0J  
 R 182 (B,275,75) RS1/16S0R0J  
 R 183 (B,276,67) RS1/16S0R0J  
 R 201 (A,189,85) RS1/16S473J

R 202 (A,189,90) RS1/16S473J  
 R 203 (B,187,85) RS1/16S392J  
 R 204 (B,187,91) RS1/16S392J  
 R 205 (B,189,85) RS1/16S392J  
 R 206 (B,189,91) RS1/16S392J

R 207 (B,191,85) RS1/16S392J  
 R 208 (B,191,91) RS1/16S392J  
 R 209 (B,198,85) RS1/16S392J  
 R 210 (B,198,91) RS1/16S392J  
 R 211 (B,200,85) RS1/16S332J

R 212 (B,200,91) RS1/16S332J  
 R 213 (B,202,85) RS1/16S680J  
 R 214 (B,202,91) RS1/16S680J  
 R 219 (B,216,84) RS1/16S0R0J  
 R 220 (B,215,91) RS1/16S0R0J

R 221 (B,220,84) RS1/16S472J  
 R 222 (B,219,91) RS1/16S472J  
 R 223 (A,242,78) RS1/16S472J  
 R 224 (A,236,78) RS1/16S472J  
 R 225 (B,225,84) RS1/16S392J

R 226 (B,225,91) RS1/16S392J  
 R 227 (B,231,84) RS1/16S101J  
 R 228 (B,233,89) RS1/16S101J  
 R 231 (A,229,72) RS1/16S104J  
 R 233 (A,231,91) RS1/16S474J

5			6			7			8		
Mark No.	Description	Part No.	Mark No.	Description	Part No.	Mark No.	Description	Part No.	Mark No.	Description	Part No.
R 234	(A,231,84)	RS1/16S474J	R 427	(A,133,93)	RS1/16S104J	R 431	(A,131,93)	RS1/16S104J			
R 237	(A,237,88)	RS1/16S122J	R 432	(A,127,93)	RS1/16S104J	R 433	(A,128,93)	RS1/16S104J	A		
R 238	(A,236,80)	RS1/16S473J	R 434	(A,134,93)	RS1/16S104J						
R 241	(A,190,69)	RS1/16S473J									
R 242	(A,190,74)	RS1/16S473J									
R 243	(B,186,69)	RS1/16S332J	R 435	(A,126,93)	RS1/16S104J	R 436	(A,130,93)	RS1/16S104J			
R 244	(B,186,75)	RS1/16S332J	R 438	(A,81,98)	RS1/16S104J	R 439	(A,86,96)	RS1/16S104J			
R 245	(B,188,69)	RS1/16S332J	R 440	(A,81,108)	RS1/16S754J						
R 246	(B,188,75)	RS1/16S332J									
R 247	(B,190,69)	RS1/16S332J									
R 248	(B,190,75)	RS1/16S332J	R 441	(A,79,98)	RS1/16S222J	R 442	(A,77,98)	RS1/16S104J			
R 249	(B,197,69)	RS1/16S332J	R 443	(A,63,104)	RS1/16S471J	R 445	(A,73,108)	RS1/16S222J	B		
R 250	(B,197,75)	RS1/16S182J	R 446	(A,74,113)	RS1/16S104J						
R 251	(B,199,69)	RS1/16S182J									
R 252	(B,199,75)	RS1/16S182J									
R 253	(B,202,69)	RS1/16S0R0J	R 447	(A,88,94)	RS1/16S472J	R 448	(A,89,104)	RS1/16S104J			
R 254	(B,202,75)	RS1/16S0R0J	R 449	(A,80,108)	RS1/16S102J	R 453	(A,146,35)	RS1/16S102J			
R 257	(B,213,69)	RS1/16S101J	R 454	(A,142,46)	RS1/16S102J						
R 258	(B,213,75)	RS1/16S101J									
R 261	(A,189,53)	RS1/16S473J									
R 262	(A,189,59)	RS1/16S473J	R 455	(A,146,38)	RS1/16S272J	R 456	(A,147,43)	RS1/16S272J			
R 263	(B,186,53)	RS1/16S332J	R 457	(A,140,35)	RS1/16S153J	R 458	(A,140,46)	RS1/16S153J			
R 264	(B,186,60)	RS1/16S332J	R 459	(B,133,38)	RS1/16S103J				C		
R 265	(B,188,53)	RS1/16S332J									
R 266	(B,188,60)	RS1/16S682J									
R 267	(B,190,53)	RS1/16S332J	R 460	(B,133,43)	RS1/16S103J	R 461	(B,145,39)	RS1/16S104J			
R 268	(B,190,60)	RS1/16S393J	R 462	(B,145,43)	RS1/16S104J	R 464	(A,78,102)	RS1/16S0R0J			
R 269	(B,197,53)	RS1/16S332J	R 473	(A,151,53)	RS1/16S102J						
R 270	(B,197,60)	RS1/16S122J									
R 271	(B,199,53)	RS1/16S182J									
R 272	(B,199,60)	RS1/16S272J	R 474	(A,152,65)	RS1/16S102J	R 475	(A,157,52)	RS1/16S272J			
R 273	(B,202,53)	RS1/16S0R0J	R 476	(A,158,66)	RS1/16S272J	R 477	(A,149,52)	RS1/16S153J			
R 274	(B,202,60)	RS1/16S271J	R 478	(A,150,65)	RS1/16S153J						
R 277	(B,214,53)	RS1/16S101J									
R 278	(B,213,61)	RS1/16S101J									
R 280	(A,65,113)	RS1/16S0R0J	R 479	(B,142,57)	RS1/16S103J	R 480	(B,142,62)	RS1/16S103J			
R 281	(A,188,44)	RS1/16S473J	R 481	(B,154,58)	RS1/16S104J	R 482	(B,154,62)	RS1/16S104J			
R 282	(A,188,38)	RS1/16S473J	R 483	(B,144,76)	RS1/16S104J						
R 283	(B,186,45)	RS1/16S332J									
R 284	(B,186,38)	RS1/16S332J									
R 285	(B,188,45)	RS1/16S332J	R 484	(A,165,71)	RS1/16S104J	R 485	(A,157,80)	RS1/16S472J			
R 286	(B,188,38)	RS1/16S332J	R 488	(A,165,73)	RS1/16S0R0J	R 493	(A,141,71)	RS1/16S102J			
R 287	(B,191,45)	RS1/16S332J	R 494	(A,141,83)	RS1/16S911J						
R 288	(B,191,38)	RS1/16S332J									
R 289	(B,197,45)	RS1/16S332J									
R 290	(B,197,38)	RS1/16S332J	R 495	(A,147,71)	RS1/16S272J	R 496	(A,148,83)	RS1/16S272J	E		
R 291	(B,200,45)	RS1/16S182J	R 497	(A,139,69)	RS1/16S153J	R 498	(A,139,83)	RS1/16S153J			
R 292	(B,199,39)	RS1/16S182J	R 499	(B,133,72)	RS1/16S103J						
R 293	(B,202,45)	RS1/16S0R0J									
R 294	(B,202,39)	RS1/16S0R0J									
R 297	(B,214,44)	RS1/16S101J	R 500	(B,133,79)	RS1/16S103J	R 502	(B,144,80)	RS1/16S204J			
R 298	(B,214,39)	RS1/16S101J	R 504	(B,171,86)	RS1/16S222J	R 505	(B,170,92)	RS1/16S222J			
R 303	(B,156,37)	RS1/16S101J	R 506	(B,165,87)	RS1/16S104J						
R 304	(B,155,43)	RS1/16S101J									
R 305	(B,160,49)	RS1/16S101J									
R 306	(B,164,61)	RS1/16S101J	R 507	(B,163,92)	RS1/16S104J	R 508	(A,162,82)	RS1/16S272J	F		
R 307	(B,165,68)	RS1/16S101J	R 509	(A,162,96)	RS1/16S272J	R 512	(A,159,83)	RS1/16S102J			
R 308	(B,171,72)	RS1/16S101J	R 513	(A,159,96)	RS1/16S102J						
R 311	(A,258,102) METAL OXIDE RESISTOR	RS1LMF101J									
R 312	(A,266,102) METAL OXIDE RESISTOR	RS1LMF101J									

1		2		3		4		
Mark No.	Description	Part No.	Mark No.	Description	Part No.	Mark No.	Description	
R	514 (A,157,83)	RS1/16S153J	R	9066(A,62,72)	RS1/16S103J			
R	515 (A,157,96)	RS1/16S153J	R	9067(A,57,83)	RS1/16S103J			
A	R 516 (B,150,89)	RS1/16S103J	R	9068(A,64,71)	RS1/16S0R0J			
R	517 (B,150,96)	RS1/16S103J	R	9080(A,98,16)	RS1/16S103J			
R	6001(A,132,18)	RS1/16S104J	R	9081(A,120,72)	RS1/16S221J			
R	6002(A,139,24)	RS1/16S104J	R	9082(A,122,69)	RS1/16S274J			
R	6003(A,140,18)	RS1/16S104J						
R	6004(A,151,22)	RS1/16S101J	<b>CAPACITORS</b>					
R	6007(B,128,14)	RS1/16S102J	C	115 (B,262,98)	CKSRYB103K50			
R	6009(A,130,23)	RS1/16S101J	C	116 (B,267,97)	CKSRYB103K50			
R	6010(A,147,23)	RS1/16S182J	C	117 (A,287,109)	CCSRCH220J50			
R	9002(A,129,89)	RS1/16S473J	C	118 (B,285,109)	CCSRCH220J50			
R	9005(A,91,55)	RS1/16S0R0J	C	121 (A,280,34)	CEAT100M50			
B	R 9006(B,103,89)	RS1/16S474J	C	122 (A,280,25)	CEAT100M50			
R	9007(B,93,89)	RS1/16S474J	C	123 (A,280,19)	CEAT100M50			
R	9008(A,86,90)	RS1/16S221J	C	124 (A,280,11)	CEAT100M50			
R	9009(A,65,85)	RS1/16S473J	C	125 (A,280,62)	CEAT100M50			
R	9010(B,115,45)	RS1/16S512J	C	126 (A,280,53)	CEAT100M50			
R	9011(A,63,76)	RS1/16S102J	C	127 (A,280,47)	CEAT100M50			
R	9012(A,63,73)	RS1/16S0R0J	C	128 (A,280,40)	CEAT100M50			
R	9013(B,112,45)	RS1/16S471J	C	131 (A,280,87)	CEAT100M50			
R	9014(B,104,54)	RS1/16S471J	C	132 (A,280,80)	CEAT100M50			
R	9015(B,101,54)	RS1/16S471J	C	133 (A,280,74)	CEAT100M50			
R	9016(B,99,54)	RS1/16S471J	C	134 (A,280,67)	CEAT100M50			
C	R 9017(B,97,54)	RS1/16S471J	C	135 (A,280,114)	CEAT100M50			
R	9018(B,95,54)	RS1/16S471J	C	136 (A,280,106)	CEAT100M50			
R	9019(B,98,76)	RS1/16S471J	C	137 (A,280,101)	CEAT100M50			
R	9020(B,99,76)	RS1/16S471J	C	138 (A,280,93)	CEAT100M50			
R	9021(B,101,76)	RS1/16S471J	C	139 (A,53,95)	CEAT100M50			
R	9022(B,103,76)	RS1/16S471J	C	140 (A,53,100)	CEAT100M50			
R	9023(B,103,68)	RS1/16S472J	C	141 (A,256,82)	CKSRYB104K50			
R	9024(B,105,68)	RS1/16S472J	C	145 (B,256,81)	CCSRCH101J50			
R	9025(B,101,68)	RS1/16S472J	C	146 (B,258,81)	CCSRCH101J50			
R	9026(B,107,68)	RS1/16S751J	C	147 (B,253,81)	CKSRYB103K50			
R	9028(B,119,45)	RS1/16S104J	C	148 (B,238,67)	CKSRYB223K25			
D	R 9030(A,68,79)	RS1/16S470J	C	149 (B,235,67)	CKSRYB473K25			
R	9031(B,69,48)	RS1/16S104J	C	150 (B,231,67)	CKSQYB154K16			
R	9032(A,66,59)	RS1/16S104J	C	151 (B,49,51)	CKSRYB103K50			
R	9033(B,89,48)	RS1/16S104J	C	152 (B,230,62)	CKSRYB223K25			
R	9036(A,88,89)	RS1/16S221J	C	153 (B,234,62)	CKSRYB473K25			
R	9037(A,124,99)	RS1/16S104J	C	154 (B,232,62)	CKSQYB154K16			
R	9039(A,87,58)	RS1/16S104J	C	155 (A,226,62)	CEAT101M16			
R	9041(B,117,45)	RS1/16S104J	C	156 (A,229,56)	CEAT101M16			
R	9042(B,83,81)	RS1/16S103J	C	157 (A,236,56)	CEAT101M16			
R	9043(B,81,81)	RS1/16S103J	C	158 (A,232,50)	CEAT101M16			
E	R 9044(B,79,81)	RS1/16S103J	C	159 (A,241,50)	CEAT101M16			
R	9045(A,98,46)	RS1/16S471J	C	160 (A,234,44)	CEAT101M16			
R	9046(A,107,45)	RS1/16S471J	C	161 (A,241,44)	CEAT101M16			
R	9047(A,99,46)	RS1/16S103J	C	162 (A,248,44)	CEAT101M16			
R	9048(A,98,43)	RS1/16S103J	C	165 (A,240,86)	CEAT1R0M50			
R	9049(A,114,72)	RS1/16S221J	C	166 (A,248,86)	CEAT1R0M50			
R	9050(A,108,68)	RS1/16S221J	C	179 (B,294,76)	CKSRYB103K50			
R	9051(A,101,29)	RS1/16S221J	C	180 (A,277,16)	CKSRYB103K50			
R	9052(A,109,25)	RS1/16S221J	C	199 (A,281,50)	CKSRYB103K50			
R	9053(A,106,26)	RS1/16S221J	C	201 (A,183,85)	CEAT2R2M50			
R	9054(A,105,15)	RS1/16S221J	C	202 (A,184,92)	CEAT2R2M50			
R	9060(B,98,68)	RS1/16S473J	C	203 (A,191,85)	CCSRCH471J50			
R	9062(B,87,48)	RS1/16S471J	C	204 (A,191,90)	CCSRCH471J50			
R	9064(A,54,74)	RS1/16S103J	C	205 (A,193,85)	CCSRCH331J50			
R	9065(A,56,74)	RS1/16S103J						

5		6		7		8	
Mark No.	Description	Part No.	Mark No.	Description	Part No.		
C 206	(A,194,90)	CCSRCH331J50	C 322	(A,153,45)	CEAT100M50		
C 207	(B,193,85)	CCSRCH331J50	C 323	(A,145,35)	CCSRCH101J50		
C 208	(B,193,91)	CCSRCH331J50	C 324	(A,140,47)	CCSRCH101J50		
C 213	(A,223,84)	CEAT100M50	C 325	(A,136,39) ELECT. CAPACITOR	CEAT220M50		A
C 214	(A,223,90)	CEAT100M50	C 326	(A,136,46) ELECT. CAPACITOR	CEAT220M50		
C 215	(B,233,84)	CKSRYPB103K50	C 327	(A,132,42)	CKSRYPB103K50		
C 216	(B,231,89)	CKSRYPB103K50	C 328	(A,132,38)	CKSRYPB103K50		
C 217	(A,202,85)	CKSRYPB103K50	C 333	(A,255,93)	CEAT101M10		
C 218	(A,202,90)	CKSRYPB103K50	C 334	(A,268,81)	CEAT101M10		
C 219	(A,221,87)	CKSRYPB104K16	C 341	(A,161,56)	CEAT100M50		
C 220	(A,210,93)	CKSRYPB104K16	C 342	(A,161,63)	CEAT100M50		
C 221	(A,230,75)	CKSRYPB103K50	C 343	(A,149,51)	CCSRCH101J50		
C 222	(A,243,70)	CKSRYPB103K50	C 344	(A,150,66)	CCSRCH101J50		
C 241	(A,183,70)	CEAT2R2M50	C 345	(A,145,56) ELECT. CAPACITOR	CEAT220M50		B
C 242	(A,183,77)	CEAT2R2M50	C 346	(A,145,63) ELECT. CAPACITOR	CEAT220M50		
C 243	(A,192,69)	CCSRCH101J50	C 347	(A,140,64)	CKSRYPB103K50		
C 244	(A,192,74)	CCSRCH101J50	C 348	(A,141,58)	CKSRYPB103K50		
C 245	(A,194,69)	CCSRCH331J50	C 361	(A,161,70)	CEAT100M50		
C 246	(A,194,74)	CCSRCH331J50	C 362	(A,169,70)	CEAT100M50		
C 247	(B,193,69)	CCSRCH331J50	C 363	(A,139,68)	CCSRCH101J50		
C 248	(B,193,75)	CCSRCH331J50	C 364	(A,139,84)	CKSRYPB472K50		
C 249	(A,205,69)	CEAT100M50	C 365	(A,136,73) ELECT. CAPACITOR	CEAT220M50		
C 250	(A,205,75)	CEAT100M50	C 366	(A,136,80) ELECT. CAPACITOR	CEANP4R7M50		
C 251	(A,204,65)	CKSRYPB103K50	C 367	(A,135,88)	CKSRYPB103K50		
C 252	(A,211,78)	CKSRYPB103K50	C 368	(A,147,75)	CKSRYPB103K50		C
C 253	(B,43,89)	CKSRYPB103K50	C 370	(A,161,74)	CEAT4R7M50		
C 254	(A,58,108) ELECT. CAPACITOR	CEAT101M25	C 384	(A,167,87)	CEAT100M50		
C 255	(A,51,108) ELECT. CAPACITOR	CEANP470M25	C 385	(A,167,94)	CEAT100M50		
C 256	(A,81,105)	CKSRYPB103K50	C 386	(A,157,84)	CCSRCH101J50		
C 257	(B,216,69)	CKSRYPB472K50	C 387	(A,157,95)	CCSRCH101J50		
C 258	(B,217,75)	CKSRYPB472K50	C 388	(A,153,90) ELECT. CAPACITOR	CEAT220M50		
C 261	(A,183,54)	CEAT2R2M50	C 389	(A,153,97) ELECT. CAPACITOR	CEAT220M50		
C 262	(A,183,62)	CEAT2R2M50	C 390	(A,164,88)	CKSRYPB103K50		
C 263	(A,192,53)	CCSRCH101J50	C 392	(B,91,95)	CKSRYPB102K50		
C 264	(A,191,59)	CKSRYPB223K25	C 393	(A,156,92)	CKSRYPB103K50		
C 265	(A,194,53)	CCSRCH331J50	C 1031	(A,286,57)	CCSRCH220J50		D
C 266	(A,194,59)	CKSRYPB103K50	C 1041	(B,287,55)	CCSRCH220J50		
C 267	(B,193,53)	CCSRCH331J50	C 5001	(B,233,10)	CKSRYPB102K50		
C 268	(B,193,60)	CKSRYPB562K50	C 5002	(B,235,10)	CKSRYPB103K50		
C 269	(A,205,54)	CEAT100M50	C 5003	(B,237,10)	CKSRYPB105K10		
C 270	(A,205,60)	CEAT100M50	C 5025	(A,166,12)	CKSRYPB102K50		
C 271	(A,203,51)	CKSRYPB103K50	C 5026	(A,169,13)	CKSRYPB102K50		
C 272	(A,210,64)	CKSRYPB103K50	C 5027	(A,177,12)	CKSRYPB102K50		
C 277	(B,216,53)	CKSRYPB472K50	C 5028	(A,179,13)	CCSRCH220J50		
C 278	(B,215,61)	CKSRYPB472K50	C 6001	(A,139,18)	CKSRYPB104K16		
C 281	(A,183,46)	CEAT2R2M50	C 9004	(A,121,94)	CKSRYPB103K50		E
C 282	(A,184,39)	CEAT2R2M50	C 9005	(A,116,99)	CEJQ2R2M50		
C 283	(A,190,44)	CCSRCH101J50	C 9006	(A,122,88)	CKSRYPB105K10		
C 284	(A,190,38)	CCSRCH101J50	C 9007	(A,79,92) ELECT. CAPACITOR	CEAT331M6R3		
C 285	(A,194,44)	CCSRCH331J50	C 9008	(B,77,90)	CKSRYPB103K50		
C 286	(A,194,38)	CCSRCH331J50	C 9011	(B,95,89)	CKSRYPB473K16		
C 287	(B,193,45)	CCSRCH331J50	C 9014	(B,87,88)	CKSRYPB473K16		
C 288	(B,193,38)	CCSRCH331J50	C 9015	(A,100,95)	CKSRYPB102K50		
C 289	(A,205,44)	CEAT100M50	C 9018	(B,72,72)	CKSRYPB104K50		
C 290	(A,206,38)	CEAT100M50	C 9081	(A,120,69)	CKSRYPB103K50		
C 291	(A,216,39)	CKSRYPB103K50					
C 292	(A,216,48)	CKSRYPB103K50					
C 297	(B,218,44)	CKSRYPB472K50					
C 298	(B,216,39)	CKSRYPB472K50					
C 321	(A,153,38)	CEAT100M50					

**A** MAIN ASSY (XWK3234)  
MISCELLANEOUS

**Mark No. Description****Part No.****Mark No. Description****Part No.**

IC 103 (A,198,72) OP-AMP IC  
 IC 104 (A,198,56) OP-AMP IC  
 IC 105 (A,198,87) OP-AMP IC  
 IC 106 (A,198,41) OP-AMP IC  
 IC 107 (A,216,88) OP-AMP IC

BA4560RF  
 BA4560RF  
 BA4560RF  
 BA4560RF  
 BA4560RF

L 9003(A,106,98) RADIAL INDUCTOR  
 X 5001(A,67,27) CRYSTAL RESONATOR  
 (4.332 MHz)  
 X 9001(A,96,53) CERAMIC RESONATOR  
 (15.7 MHz)  
 CN101 (A,41,27) CONNECTOR  
 CN103 (A,230,17) 11P CONNECTOR

LFCA2R2J  
 ASS7004  
 XSS3004  
 CKS3382  
 52044-1145

IC 108 (B,255,64) 8CH E-VOL  
 IC 110 (A,237,73) IC  
 IC 251 (A,85,102) OP-AMP IC  
 IC 310 (A,142,40) OP-AMP IC  
 IC 311 (A,152,59) OP-AMP IC

R2S15205FP  
 TC4066BFN  
 HA17558AF  
 BA4560RF  
 BA4560RF

CN104 (A,250,13) CONNECTOR  
 CN105 (A,266,34) CONNECTOR  
 CN107 (A,39,99) CONNECTOR POST  
 CN108 (A,41,55) CONNECTOR  
 CN109 (A,230,113) 23P SOCKET

CKS3384  
 CKS3372  
 B3B-PH  
 CKS3370  
 XKP3055

IC 312 (A,142,77) OP-AMP IC  
 IC 315 (A,160,90) OP-AMP IC  
 IC 5001(A,69,19) RDS DECORDER IC  
 IC 6001(A,135,21) IC  
 IC 9001(B,82,64) CPU

BA4560RF  
 BA4560RF  
 LC72725M  
 TC74VHCT125AFTS1  
 PEG216A

CN111 (A,276,113) 21P SOCKET  
 CN112 (A,91,41) CONNECTOR  
 CN114 (A,189,113) 21P SOCKET  
 CN115 (A,302,21) PIN JACK(4P)  
 CN116 (A,302,49) PIN JACK(4P)

XKP3091  
 CKS3390  
 XKP3091  
 AKB7114  
 AKB7114

IC 9002(A,103,44) EEPROM  
 Q 231 (A,225,69) DIGITAL TR(SC-70)  
 Q 232 (A,229,69) TRANSISTOR  
 Q 252 (A,68,105) TRANSISTOR  
 Q 253 (A,75,108) TRANSISTOR

BR24L16FV-W  
 RT1P241M  
 RT1N241M  
 2SD1858X  
 RT1N241M

CN117 (A,302,77) PIN JACK(4P)  
 CN118 (A,302,105) PIN JACK(4P)  
 CN251 (A,39,83) 3P JUMPER CONNECTOR  
 CN252 (A,37,69) 3P TOP POST  
 101 PCB BINDER

AKB7114  
 AKB7114  
 52147-0310  
 B3B-EH  
 VEF1040

Q 254 (A,72,98) DIGITAL TR(SC-70)  
 Q 255 (A,75,98) TRANSISTOR  
 Q 256 (A,75,94) CHIP TRANSISTOR  
 Q 257 (A,78,108) TRANSISTOR  
 Q 259 (A,69,97) DIGITAL TR(SC-70)

RT1P241M  
 2SC4081  
 2SD2704K  
 2SA1576A  
 RT1P241M

102 PCB BINDER

VEF1040

**RESISTORS**

Q 260 (A,68,101) TRANSISTOR  
 Q 361 (A,166,78) CHIP TRANSISTOR  
 Q 9001(A,125,87) DIGITAL TR(SC-70)  
 Q 9002(A,66,80) DIGITAL TR(SC-70)  
 Q 9003(A,65,75) DIGITAL TR(SC-70)

2SC4081  
 2SD2704K  
 RT1N431M  
 RT1P241M  
 RT1P241M

R 101 (B,282,19)  
 R 102 (B,293,12)  
 R 103 (B,283,62)  
 R 104 (B,283,52)  
 R 105 (B,283,47)

RS1/16S331J  
 RS1/16S331J  
 RS1/16S222J  
 RS1/16S222J  
 RS1/16S331J

Q 9007(A,69,85) TRANSISTOR  
 Q 9064(A,59,80) DIGITAL TR(SC-70)  
 Q 9065(A,55,78) TRANSISTOR  
 D 103 (B,173,35) DIODE  
 D 105 (B,163,37) DIODE

DTC143TK  
 RT1P241M  
 UMD2N  
 DAN217U  
 DAN217U

R 106 (B,293,40)  
 R 107 (B,283,87)  
 R 108 (B,293,81)  
 R 109 (B,283,73)  
 R 110 (B,293,68)

RS1/16S331J  
 RS1/16S331J  
 RS1/16S331J  
 RS1/16S331J  
 RS1/16S331J

D 107 (B,166,37) DIODE  
 D 251 (A,83,96) DIODE  
 D 253 (A,70,114) DIODE  
 D 254 (A,90,104) DIODE  
 D 255 (A,65,114) DIODE

DAN217U  
 DAN217U  
 UDZS13(B)  
 UDZS5R1(B)  
 UDZS13(B)

R 111 (B,283,115)  
 R 112 (B,283,106)  
 R 113 (B,283,101)  
 R 114 (B,293,96)  
 R 129 (B,283,34)

RS1/16S222J  
 RS1/16S222J  
 RS1/16S331J  
 RS1/16S331J  
 RS1/16S331J

D 311 (B,259,93) DIODE  
 D 312 (B,268,93) DIODE  
 D 331 (B,260,87) DIODE  
 D 332 (B,263,87) DIODE  
 D 6001(A,149,22) DIODE

1SS355  
 1SS355  
 UDZS6R8(B)  
 UDZS6R8(B)  
 1SS355

R 130 (B,283,25)  
 R 145 (A,71,73)  
 R 146 (A,71,74)  
 R 147 (B,233,67)  
 R 148 (B,228,62)

RS1/16S331J  
 RS1/16S102J  
 RS1/16S102J  
 RS1/16S472J  
 RS1/16S472J

D 9001(A,125,103) DIODE  
 D 9002(A,119,103) DIODE  
 D 9003(A,122,103) DIODE  
 D 9006(B,99,89) DIODE  
 D 9007(B,91,89) DIODE

DAP202U  
 DAP202U  
 DAN202U  
 DAN217U  
 DAN217U

R 149 (A,259,45)  
 R 154 (B,294,51)  
 R 155 (B,293,58)  
 R 156 (B,295,107)  
 R 157 (B,293,114)

RS1/16S104J  
 RS1/16S0R0J  
 RS1/16S0R0J  
 RS1/16S0R0J  
 RS1/16S0R0J

D 9010(A,128,88) DIODE  
 D 9011(A,60,75) DIODE  
 D 9064(A,58,75) DIODE  
 D 9065(A,63,80) DIODE  
 D 9068(A,53,81) DIODE

1SS355  
 DAN202U  
 DAP202U  
 DAP202U  
 1SS355

R 180 (B,278,97)  
 R 181 (B,272,78)  
 R 182 (B,275,75)  
 R 183 (B,276,67)  
 R 201 (A,189,85)

RS1/16S0R0J  
 RS1/16S0R0J  
 RS1/16S0R0J  
 RS1/16S0R0J  
 RS1/16S473J

L 101 (B,260,98) CHIP SOLID INDUCTOR  
 L 102 (B,265,97) CHIP SOLID INDUCTOR  
 L 5002(A,257,104) CHIP SOLID INDUCTOR  
 L 9001(A,123,107) CHIP SOLID INDUCTOR  
 L 9002(A,121,107) CHIP SOLID INDUCTOR

QTL1013  
 QTL1013  
 QTL1013  
 ATL7002  
 ATL7002

R 202 (A,189,90)  
 R 203 (B,187,85)  
 R 204 (B,187,91)  
 R 205 (B,189,85)  
 R 206 (B,189,91)

RS1/16S473J  
 RS1/16S392J  
 RS1/16S392J  
 RS1/16S392J  
 RS1/16S392J

5		6		7		8	
Mark No.	Description	Part No.	Mark No.	Description	Part No.		
R 207	(B,191,85)	RS1/16S392J	R 286	(B,188,38)	RS1/16S332J		
R 208	(B,191,91)	RS1/16S392J	R 287	(B,191,45)	RS1/16S332J		
R 209	(B,198,85)	RS1/16S392J	R 288	(B,191,38)	RS1/16S332J		
R 210	(B,198,91)	RS1/16S392J	R 289	(B,197,45)	RS1/16S332J		A
R 211	(B,200,85)	RS1/16S332J	R 290	(B,197,38)	RS1/16S332J		
R 212	(B,200,91)	RS1/16S332J	R 291	(B,200,45)	RS1/16S182J		
R 213	(B,202,85)	RS1/16S680J	R 292	(B,199,39)	RS1/16S182J		
R 214	(B,202,91)	RS1/16S680J	R 293	(B,202,45)	RS1/16S0R0J		
R 219	(B,216,84)	RS1/16S0R0J	R 294	(B,202,39)	RS1/16S0R0J		
R 220	(B,215,91)	RS1/16S0R0J	R 297	(B,214,44)	RS1/16S101J		
R 221	(B,220,84)	RS1/16S472J	R 298	(B,214,39)	RS1/16S101J		
R 222	(B,219,91)	RS1/16S472J	R 303	(B,156,37)	RS1/16S101J		
R 223	(A,242,78)	RS1/16S472J	R 304	(B,155,43)	RS1/16S101J		
R 224	(A,236,78)	RS1/16S472J	R 305	(B,160,49)	RS1/16S101J		
R 225	(B,225,84)	RS1/16S392J	R 306	(B,164,61)	RS1/16S101J		B
R 226	(B,225,91)	RS1/16S392J	R 307	(B,165,68)	RS1/16S101J		
R 227	(B,231,84)	RS1/16S101J	R 308	(B,171,72)	RS1/16S101J		
R 228	(B,233,89)	RS1/16S101J	R 311	(A,258,102) METAL OXIDE RESISTOR	RS1LMF101J		
R 231	(A,229,72)	RS1/16S104J	R 312	(A,266,102) METAL OXIDE RESISTOR	RS1LMF101J		
R 233	(A,231,91)	RS1/16S474J	R 427	(A,133,93)	RS1/16S104J		
R 234	(A,231,84)	RS1/16S474J	R 431	(A,131,93)	RS1/16S104J		
R 237	(A,237,88)	RS1/16S122J	R 432	(A,127,93)	RS1/16S104J		
R 238	(A,236,80)	RS1/16S122J	R 433	(A,128,93)	RS1/16S104J		
R 241	(A,190,69)	RS1/16S473J	R 434	(A,134,93)	RS1/16S104J		
R 242	(A,190,74)	RS1/16S473J	R 435	(A,126,93)	RS1/16S104J		
R 243	(B,186,69)	RS1/16S332J	R 436	(A,130,93)	RS1/16S104J		C
R 244	(B,186,75)	RS1/16S332J	R 438	(A,81,98)	RS1/16S104J		
R 245	(B,188,69)	RS1/16S332J	R 439	(A,86,96)	RS1/16S104J		
R 246	(B,188,75)	RS1/16S332J	R 440	(A,81,108)	RS1/16S754J		
R 247	(B,190,69)	RS1/16S332J	R 441	(A,79,98)	RS1/16S222J		
R 248	(B,190,75)	RS1/16S332J	R 442	(A,77,98)	RS1/16S104J		
R 249	(B,197,69)	RS1/16S332J	R 443	(A,63,104)	RS1/16S471J		
R 250	(B,197,75)	RS1/16S332J	R 445	(A,73,108)	RS1/16S223J		
R 251	(B,199,69)	RS1/16S182J	R 446	(A,74,113)	RS1/16S104J		
R 252	(B,199,75)	RS1/16S182J	R 447	(A,88,94)	RS1/16S472J		
R 253	(B,202,69)	RS1/16S0R0J	R 448	(A,89,104)	RS1/16S104J		D
R 254	(B,202,75)	RS1/16S0R0J	R 449	(A,80,108)	RS1/16S102J		
R 257	(B,213,69)	RS1/16S101J	R 453	(A,146,35)	RS1/16S102J		
R 258	(B,213,75)	RS1/16S101J	R 454	(A,142,46)	RS1/16S102J		
R 261	(A,189,53)	RS1/16S473J	R 455	(A,146,38)	RS1/16S272J		
R 262	(A,189,59)	RS1/16S473J	R 456	(A,147,43)	RS1/16S272J		
R 263	(B,186,53)	RS1/16S332J	R 457	(A,140,35)	RS1/16S153J		
R 264	(B,186,60)	RS1/16S332J	R 458	(A,140,46)	RS1/16S153J		
R 265	(B,188,53)	RS1/16S332J	R 459	(B,133,38)	RS1/16S103J		
R 266	(B,188,60)	RS1/16S682J	R 460	(B,133,43)	RS1/16S103J		
R 267	(B,190,53)	RS1/16S332J	R 461	(B,145,39)	RS1/16S104J		E
R 268	(B,190,60)	RS1/16S393J	R 462	(B,145,43)	RS1/16S104J		
R 269	(B,197,53)	RS1/16S332J	R 463	(A,76,102)	RS1/16S223J		
R 270	(B,197,60)	RS1/16S122J	R 464	(A,78,102)	RS1/16S223J		
R 271	(B,199,53)	RS1/16S182J	R 465	(A,74,102)	RS1/16S223J		
R 272	(B,199,60)	RS1/16S272J	R 466	(A,71,101)	RS1/16S223J		
R 273	(B,202,53)	RS1/16S0R0J	R 473	(A,151,53)	RS1/16S102J		
R 274	(B,202,60)	RS1/16S271J	R 474	(A,152,65)	RS1/16S102J		
R 277	(B,214,53)	RS1/16S101J	R 475	(A,157,52)	RS1/16S272J		
R 278	(B,213,61)	RS1/16S101J	R 476	(A,158,66)	RS1/16S272J		
R 281	(A,188,44)	RS1/16S473J	R 477	(A,149,52)	RS1/16S153J		
R 282	(A,188,38)	RS1/16S473J	R 478	(A,150,65)	RS1/16S153J		
R 283	(B,186,45)	RS1/16S332J	R 479	(B,142,57)	RS1/16S103J		F
R 284	(B,186,38)	RS1/16S332J	R 480	(B,142,62)	RS1/16S103J		
R 285	(B,188,45)	RS1/16S332J	R 481	(B,154,58)	RS1/16S104J		

**Mark No. Description****Part No.****Mark No. Description****Part No.**

A	R 482 (B,154,62)	RS1/16S104J	R 9024(B,105,68)	RS1/16S472J
	R 483 (B,144,76)	RS1/16S104J	R 9025(B,101,68)	RS1/16S472J
	R 484 (A,165,71)	RS1/16S104J	R 9026(B,107,68)	RS1/16S332J
	R 485 (A,157,80)	RS1/16S472J	R 9028(B,119,45)	RS1/16S104J
	R 488 (A,165,73)	RS1/16S0R0J	R 9030(A,68,79)	RS1/16S470J
■	R 493 (A,141,71)	RS1/16S102J	R 9031(B,69,48)	RS1/16S104J
	R 494 (A,141,83)	RS1/16S911J	R 9032(A,66,59)	RS1/16S104J
	R 495 (A,147,71)	RS1/16S272J	R 9033(B,89,48)	RS1/16S104J
	R 496 (A,148,83)	RS1/16S272J	R 9036(A,88,89)	RS1/16S221J
	R 497 (A,139,69)	RS1/16S153J	R 9037(A,124,99)	RS1/16S104J
B	R 498 (A,139,83)	RS1/16S153J	R 9039(A,87,58)	RS1/16S104J
	R 499 (B,133,72)	RS1/16S103J	R 9041(B,117,45)	RS1/16S104J
	R 500 (B,133,79)	RS1/16S104J	R 9042(B,83,81)	RS1/16S103J
	R 502 (B,144,80)	RS1/16S204J	R 9043(B,81,81)	RS1/16S103J
	R 504 (B,171,86)	RS1/16S222J	R 9044(B,79,81)	RS1/16S103J
■	R 505 (B,170,92)	RS1/16S222J	R 9045(A,98,46)	RS1/16S471J
	R 506 (B,165,87)	RS1/16S104J	R 9046(A,107,45)	RS1/16S471J
	R 507 (B,163,92)	RS1/16S104J	R 9047(A,99,46)	RS1/16S103J
	R 508 (A,162,82)	RS1/16S272J	R 9048(A,98,43)	RS1/16S103J
	R 509 (A,162,96)	RS1/16S272J	R 9060(B,98,68)	RS1/16S473J
C	R 512 (A,159,83)	RS1/16S102J	R 9062(B,87,48)	RS1/16S471J
	R 513 (A,159,96)	RS1/16S102J	R 9064(A,54,74)	RS1/16S103J
	R 514 (A,157,83)	RS1/16S153J	R 9065(A,56,74)	RS1/16S103J
	R 515 (A,157,96)	RS1/16S153J	R 9066(A,62,72)	RS1/16S103J
	R 516 (B,150,89)	RS1/16S103J	R 9067(A,57,83)	RS1/16S103J
■	R 517 (B,150,96)	RS1/16S103J	R 9068(A,64,71)	RS1/16S0R0J
	R 5005(B,80,13)	RS1/16S0R0J	R 9081(A,120,72)	RS1/16S221J
	R 5010(A,76,24)	RS1/16S473J	R 9082(A,122,69)	RS1/16S274J
	R 5011(A,81,15)	RS1/16S473J		
	R 5012(A,82,12)	RS1/16S102J		
■	R 5013(A,57,26)	RS1/16S102J		
	R 5016(B,82,13)	RS1/16S0R0J		
	R 5020(A,73,13)	RS1/16S0R0J		
	R 6001(A,132,18)	RS1/16S104J		
	R 6002(A,139,24)	RS1/16S104J		
D	R 6003(A,140,18)	RS1/16S104J		
	R 6004(A,151,22)	RS1/16S101J		
	R 6007(B,128,14)	RS1/16S102J		
	R 6009(A,130,23)	RS1/16S101J		
	R 6010(A,147,23)	RS1/16S182J		
■	R 9002(A,129,89)	RS1/16S473J		
	R 9005(A,91,55)	RS1/16S0R0J		
	R 9006(B,103,89)	RS1/16S474J		
	R 9007(B,93,89)	RS1/16S474J		
	R 9008(A,86,90)	RS1/16S221J		
E	R 9009(A,65,85)	RS1/16S473J		
	R 9010(B,115,45)	RS1/16S512J		
	R 9011(A,63,76)	RS1/16S102J		
	R 9012(A,63,73)	RS1/16S0R0J		
	R 9013(B,112,45)	RS1/16S471J		
■	R 9014(B,104,54)	RS1/16S471J		
	R 9015(B,101,54)	RS1/16S471J		
	R 9016(B,99,54)	RS1/16S471J		
	R 9017(B,97,54)	RS1/16S471J		
	R 9018(B,95,54)	RS1/16S471J		
F	R 9019(B,98,76)	RS1/16S471J		
	R 9020(B,99,76)	RS1/16S471J		
	R 9021(B,101,76)	RS1/16S471J		
	R 9022(B,103,76)	RS1/16S471J		
	R 9023(B,103,68)	RS1/16S472J		
			<b>CAPACITORS</b>	
			C 101 (B,293,18)	CCSRCH101J50
			C 102 (B,295,12)	CCSRCH101J50
			C 103 (B,295,56)	CCSRCH101J50
			C 104 (B,296,51)	CCSRCH101J50
			C 105 (B,293,45)	CCSRCH101J50
			C 106 (B,296,40)	CCSRCH101J50
			C 107 (B,293,86)	CCSRCH101J50
			C 108 (B,296,81)	CCSRCH101J50
			C 109 (B,293,72)	CCSRCH101J50
			C 110 (B,296,68)	CCSRCH101J50
			C 111 (B,296,111)	CCSRCH101J50
			C 112 (B,297,107)	CCSRCH101J50
			C 113 (B,293,100)	CCSRCH101J50
			C 114 (B,296,96)	CCSRCH101J50
			C 115 (B,262,98)	CKSRYP103K50
			C 116 (B,267,97)	CKSRYP103K50
			C 117 (A,287,109)	CCSRCH220J50
			C 118 (B,285,109)	CCSRCH220J50
			C 121 (A,280,34)	CEAT100M50
			C 122 (A,280,25)	CEAT100M50
			C 123 (A,280,19)	CEAT100M50
			C 124 (A,280,11)	CEAT100M50
			C 125 (A,280,62)	CEAT100M50
			C 126 (A,280,53)	CEAT100M50
			C 127 (A,280,47)	CEAT100M50
			C 128 (A,280,40)	CEAT100M50
			C 131 (A,280,87)	CEAT100M50
			C 132 (A,280,80)	CEAT100M50
			C 133 (A,280,74)	CEAT100M50
			C 134 (A,280,67)	CEAT100M50



5		6		7		8	
Mark No.	Description	Part No.	Mark No.	Description	Part No.		
C 135	(A,280,114)	CEAT100M50	C 219	(A,221,87)	CKSRYPB104K16		
C 136	(A,280,106)	CEAT100M50	C 220	(A,210,93)	CKSRYPB104K16		
C 137	(A,280,101)	CEAT100M50	C 221	(A,230,75)	CKSRYPB103K50		
C 138	(A,280,93)	CEAT100M50	C 222	(A,243,70)	CKSRYPB103K50		A
C 139	(A,53,95)	CEAT100M50	C 241	(A,183,70)	CEAT2R2M50		
C 140	(A,53,100)	CEAT100M50	C 242	(A,183,77)	CEAT2R2M50		
C 141	(A,256,82)	CKSRYPB104K50	C 243	(A,192,69)	CCSRCH101J50		
C 145	(B,256,81)	CCSRCH101J50	C 244	(A,192,74)	CCSRCH101J50		
C 146	(B,258,81)	CCSRCH101J50	C 245	(A,194,69)	CCSRCH331J50		
C 147	(B,253,81)	CKSRYPB103K50	C 246	(A,194,74)	CCSRCH331J50		
C 148	(B,238,67)	CKSRYPB223K25	C 247	(B,193,69)	CCSRCH331J50		
C 149	(B,235,67)	CKSRYPB473K25	C 248	(B,193,75)	CCSRCH331J50		
C 150	(B,231,67)	CKSQYB154K16	C 249	(A,205,69)	CEAT100M50		
C 151	(B,49,51)	CKSRYPB103K50	C 250	(A,205,75)	CEAT100M50		
C 152	(B,230,62)	CKSRYPB223K25	C 251	(A,204,65)	CKSRYPB103K50		B
C 153	(B,234,62)	CKSRYPB473K25	C 252	(A,211,78)	CKSRYPB103K50		
C 154	(B,232,62)	CKSQYB154K16	C 253	(B,43,89)	CKSRYPB103K50		
C 155	(A,226,62)	CEAT101M16	C 254	(A,58,108)	ELECT. CAPACITOR		
C 156	(A,229,56)	CEAT101M16	C 255	(A,51,108)	ELECT. CAPACITOR		
C 157	(A,236,56)	CEAT101M16	C 256	(A,81,105)	CEANP470M25		
C 158	(A,232,50)	CEAT101M16	C 257	(B,216,69)	CKSRYPB472K50		
C 159	(A,241,50)	CEAT101M16	C 258	(B,217,75)	CKSRYPB472K50		
C 160	(A,234,44)	CEAT101M16	C 261	(A,183,54)	CEAT2R2M50		
C 161	(A,241,44)	CEAT101M16	C 262	(A,183,62)	CEAT2R2M50		
C 162	(A,248,44)	CEAT101M16	C 263	(A,192,53)	CCSRCH101J50		
C 165	(A,240,86)	CEAT1R0M50	C 264	(A,191,59)	CKSRYPB223K25		C
C 166	(A,248,86)	CEAT1R0M50	C 265	(A,194,53)	CCSRCH331J50		
C 170	(A,236,116)	CEAT100M50	C 266	(A,194,59)	CKSRYPB103K50		
C 171	(A,242,116)	CEAT100M50	C 267	(B,193,53)	CCSRCH331J50		
C 179	(B,294,76)	CKSRYPB103K50	C 268	(B,193,60)	CKSRYPB562K50		
C 180	(A,277,16)	CKSRYPB103K50	C 269	(A,205,54)	CEAT100M50		
C 181	(A,283,30)	CCSRCH101J50	C 270	(A,205,60)	CEAT100M50		
C 182	(B,285,28)	CCSRCH101J50	C 271	(A,203,51)	CKSRYPB103K50		
C 183	(B,287,14)	CCSRCH101J50	C 272	(A,210,64)	CKSRYPB103K50		
C 184	(B,285,14)	CCSRCH101J50	C 277	(B,216,53)	CKSRYPB472K50		
C 185	(A,286,44)	CCSRCH101J50	C 278	(B,215,61)	CKSRYPB472K50		D
C 186	(B,288,42)	CCSRCH101J50	C 281	(A,183,46)	CEAT2R2M50		
C 187	(A,286,90)	CCSRCH101J50	C 282	(A,184,39)	CEAT2R2M50		
C 188	(A,284,83)	CCSRCH101J50	C 283	(A,190,44)	CCSRCH101J50		
C 189	(A,284,71)	CCSRCH101J50	C 284	(A,190,38)	CCSRCH101J50		
C 190	(B,287,70)	CCSRCH101J50	C 285	(A,194,44)	CCSRCH331J50		
C 191	(B,283,97)	CCSRCH101J50	C 286	(A,194,38)	CCSRCH331J50		
C 192	(B,285,96)	CCSRCH101J50	C 287	(B,193,45)	CCSRCH331J50		
C 197	(B,292,29)	CCSRCH101J50	C 288	(B,193,38)	CCSRCH331J50		
C 198	(B,294,25)	CCSRCH101J50	C 289	(A,205,44)	CEAT100M50		
C 199	(A,281,50)	CKSRYPB103K50	C 290	(A,206,38)	CEAT100M50		
C 201	(A,183,85)	CEAT2R2M50	C 291	(A,216,39)	CKSRYPB103K50		E
C 202	(A,184,92)	CEAT2R2M50	C 292	(A,216,48)	CKSRYPB103K50		
C 203	(A,191,85)	CCSRCH471J50	C 297	(B,218,44)	CKSRYPB472K50		
C 204	(A,191,90)	CCSRCH471J50	C 298	(B,216,39)	CKSRYPB472K50		
C 205	(A,193,85)	CCSRCH331J50	C 321	(A,153,38)	CEAT100M50		
C 206	(A,194,90)	CCSRCH331J50	C 322	(A,153,45)	CEAT100M50		
C 207	(B,193,85)	CCSRCH331J50	C 323	(A,145,35)	CCSRCH101J50		
C 208	(B,193,91)	CCSRCH331J50	C 324	(A,140,47)	CCSRCH101J50		
C 213	(A,223,84)	CEAT100M50	C 325	(A,136,39)	ELECT. CAPACITOR		
C 214	(A,223,90)	CEAT100M50	C 326	(A,136,46)	ELECT. CAPACITOR		
C 215	(B,233,84)	CKSRYPB103K50	C 327	(A,132,42)	CKSRYPB103K50		
C 216	(B,231,89)	CKSRYPB103K50	C 328	(A,132,38)	CKSRYPB103K50		F
C 217	(A,202,85)	CKSRYPB103K50	C 333	(A,255,93)	CEAT101M10		
C 218	(A,202,90)	CKSRYPB103K50	C 334	(A,268,81)	CEAT101M10		

**Mark No. Description****Part No.****Mark No. Description****Part No.**

C 341 (A,161,56)  
 C 342 (A,161,63)  
 C 343 (A,149,51)  
 C 344 (A,150,66)  
 C 345 (A,145,56) ELECT. CAPACITOR

CEAT100M50  
 CEAT100M50  
 CCSRCH101J50  
 CCSRCH101J50  
 CEAT220M50

IC 601 (A,107,36) DA I/F TRANSCEIVER  
 IC 701 (A,75,29) CODEC IC

AK4114VQ  
 AK4628AVQ

A

C 346 (A,145,63) ELECT. CAPACITOR  
 C 347 (A,140,64)  
 C 348 (A,141,58)  
 C 361 (A,161,70)  
 C 362 (A,169,70)

CEAT220M50  
 CKSRYB103K50  
 CKSRYB103K50  
 CEAT100M50  
 CEAT100M50

IC 801 (A,37,39) DSP IC  
 IC 802 (A,33,24) IC  
 IC 851 (A,48,17) FLASH ROM IC  
 FLASH ROM IC  
 IC 871 (B,63,43) IC  
 ⚠ IC 901 (B,120,16) IC

DSPC56371AF180  
 TC7WU04FU  
 PDC145A8  
 LE25FW106M  
 TC7VH125FU  
 NJM2391DL1-33

C 363 (A,139,68)  
 C 364 (A,139,84)  
 C 365 (A,136,73) ELECT. CAPACITOR  
 C 366 (A,136,80) ELECT. CAPACITOR  
 C 367 (A,135,88)

CCSRCH101J50  
 CKSRYB472K50  
 CEAT220M50  
 CEANP4R7M50  
 CKSRYB103K50

⚠ IC 902 (B,94,22) REGULATOR IC  
 IC 951 (A,58,56) IC  
 IC 952 (B,19,34) OCTAL BUS BUFFER IC  
 IC 953 (A,48,56) IC  
 Q 801 (B,34,29) TRANSISTOR

LM1117DT-ADJ  
 TC74VHCT08AFTS1  
 TC74VHCT244AFTS1  
 TC74VHC08FTS1  
 RT1N241M

B

C 368 (A,147,75)  
 C 370 (A,161,74)  
 C 384 (A,167,87)  
 C 385 (A,167,94)  
 C 386 (A,157,84)

CKSRYB103K50  
 CEAT4R7M50  
 CEAT100M50  
 CEAT100M50  
 CCSRCH101J50

D 401 (B,117,57) DIODE  
 D 402 (B,114,54) DIODE  
 D 701 (A,79,19) DIODE  
 D 702 (B,80,18) DIODE  
 D 901 (B,116,24) DIODE

UDZ5R6(B)  
 UDZ5R6(B)  
 MA152WA  
 MA152WK  
 UDZ5R6(B)

C 387 (A,157,95)  
 C 388 (A,153,90) ELECT. CAPACITOR  
 C 389 (A,153,97) ELECT. CAPACITOR  
 C 390 (A,164,88)  
 C 392 (B,91,95)

CCSRCH101J50  
 CEAT220M50  
 CEAT220M50  
 CKSRYB103K50  
 CKSRYB102K50

D 902 (B,102,19) DIODE  
 L 401 (A,64,49) CHIP SOLID INDUCTOR  
 L 402 (A,112,60) CHIP SOLID INDUCTOR  
 L 551 (A,88,44) CHIP SOLID INDUCTOR  
 L 601 (B,103,48) CHIP SOLID INDUCTOR

UDZ5R6(B)  
 QTL1013  
 ATL7002  
 QTL1013  
 QTL1013

C

C 393 (A,156,92)  
 C 1031(A,286,57)  
 C 1041(B,287,55)  
 C 5001(B,233,10)  
 C 5002(B,235,10)

CKSRYB103K50  
 CCSRCH220J50  
 CCSRCH220J50  
 CKSRYB102K50  
 CKSRYB103K50

L 602 (A,98,36) CHIP SOLID INDUCTOR  
 L 605 (A,117,29) CHIP SOLID INDUCTOR  
 L 701 (B,66,30) CHIP SOLID INDUCTOR  
 L 702 (A,94,24) CHIP SOLID INDUCTOR  
 L 801 (A,35,25) CHIP SOLID INDUCTOR

QTL1013  
 QTL1013  
 QTL1013  
 QTL1013  
 QTL1013

C 5003(B,237,10)  
 C 5011(A,77,16)  
 C 5013(A,54,17)  
 C 5014(A,54,18)  
 C 5015(A,59,20)

CKSRYB105K10  
 CEJQ100M50  
 CCSRCH270J50  
 CCSRCH270J50  
 CEJQ470M16

L 802 (A,44,29) CHIP SOLID INDUCTOR  
 L 803 (A,53,38) CHIP SOLID INDUCTOR  
 L 804 (B,30,34) CHIP SOLID INDUCTOR  
 L 851 (A,45,23) CHIP SOLID INDUCTOR  
 L 871 (B,67,45) CHIP SOLID INDUCTOR

ATL7002  
 ATL7002  
 QTL1013  
 QTL1013  
 QTL1013

D

C 5016(A,54,15)  
 C 5017(A,73,14)  
 C 5020(A,69,13)  
 C 5025(A,166,12)  
 C 5026(A,169,13)

CKSRYB103K50  
 CCSRCH561J50  
 CKSRYB472K50  
 CKSRYB102K50  
 CKSRYB102K50

L 901 (B,105,19) CHIP SOLID INDUCTOR  
 L 902 (B,100,19) CHIP SOLID INDUCTOR  
 L 951 (A,53,54) CHIP SOLID INDUCTOR  
 L 952 (B,24,43) CHIP SOLID INDUCTOR  
 L 953 (A,64,53) CHIP SOLID INDUCTOR

ATL7002  
 ATL7002  
 QTL1013  
 QTL1013  
 QTL1013

C 5027(A,177,12)  
 C 5028(A,179,13)  
 C 6001(A,139,18)  
 C 9004(A,121,94)  
 C 9005(A,116,99)

CKSRYB102K50  
 CCSRCH220J50  
 CKSRYB104K16  
 CKSRYB103K50  
 CEJQ2R2M50

JA501 (A,140,22) PIN JACK(2P)  
 X 401 (A,68,57) CRYSTAL RESONATOR  
 (145.1584MHz)  
 X 601 (A,106,25) CRYSTAL RESONATOR  
 (12.288MHz)

AKB7173  
 ASS7065  
 ASS7046

X 801 (A,25,22) CRYSTAL RESONATOR  
 (20 MHz)  
 CN401 (A,141,41) 4P SOCKET

VSS1171  
 AKP7201

E

C 9006(A,122,88)  
 C 9007(A,79,92) ELECT. CAPACITOR  
 C 9008(B,77,90)  
 C 9011(B,95,89)  
 C 9014(B,87,88)

CKSRYB105K10  
 CEAT331M6R3  
 CKSRYB103K50  
 CKSRYB473K16  
 CKSRYB473K16

CN601 (A,100,49) 10P CONNECTOR  
 CN701 (A,81,14) 19P SOCKET  
 CN901 (A,114,14) 13P SOCKET  
 CN951 (A,43,14) 15P SOCKET  
 CN952 (A,25,59) 12P CONNECTOR

VKN1414  
 XKP3080  
 XKP3077  
 XKP3078  
 VKN1416

C 9015(A,100,95)  
 C 9018(B,72,72)  
 C 9081(A,120,69)

CKSRYB102K50  
 CKSRYB104K50  
 CKSRYB103K50

**RESISTORS**

R 404 (B,110,58)  
 R 405 (B,104,57)  
 R 406 (B,110,54)  
 R 407 (B,108,57)  
 R 410 (A,72,58)

RS1/16S10J  
 RS1/16S10J  
 RS1/16S10J  
 RS1/16S102J  
 RS1/16S471J

R 411 (A,72,56)  
 R 414 (B,83,49)  
 R 415 (B,86,48)

RS1/16S105J  
 RS1/16S104J  
 RS1/16S104J

**B DSP ASSY (AWX8699)****MISCELLANEOUS**

IC 401 (A,80,54) XM/DT IC  
 IC 402 (A,116,59) LOAD SWITCHING  
 IC 551 (A,82,42) IC

F2602E-01  
 AAT4618IGV-0.5-1  
 TC74VHC157FTS1

5		6		7		8	
Mark No.	Description	Part No.	Mark No.	Description	Part No.		
R 416	(B,89,48)	RS1/16S101J	R 711	(A,73,18)	RS1/16S101J		
R 417	(B,98,58)	RS1/16S104J	R 712	(A,76,18)	RS1/16S101J		
R 418	(A,89,50)	RAB4C101J	R 713	(A,84,30)	RS1/16S470J	A	
R 419	(B,100,58)	RS1/16S104J	R 714	(A,84,35)	RS1/16S101J		
R 420	(B,96,58)	RS1/16S104J	R 715	(A,85,36)	RS1/16S101J		
R 421	(A,89,58)	RS1/16S104J	R 716	(A,82,37)	RS1/16S101J		
R 423	(A,87,58)	RS1/16S101J	R 801	(A,49,49)	RS1/16S470J		
R 424	(B,90,58)	RS1/16S101J	R 802	(A,40,50)	RAB4C101J		
R 425	(B,94,58)	RS1/16S101J	R 803	(B,44,48)	RS1/16S103J		
R 426	(B,69,48)	RS1/16S101J	R 804	(B,42,48)	RS1/16S103J		
R 427	(B,71,48)	RS1/16S101J	R 805	(B,40,48)	RS1/16S103J		
R 428	(B,73,48)	RS1/16S101J	R 806	(B,38,48)	RS1/16S103J		
R 429	(A,80,46)	RS1/16S101J	R 807	(B,37,42)	RS1/16S473J		
R 430	(A,107,58)	RS1/16S103J	R 810	(A,26,38)	RS1/16S473J	B	
R 431	(A,102,58)	RS1/16S0R0J	R 811	(B,28,46)	RS1/16S472J		
R 501	(B,129,16)	RS1/16S750J	R 812	(B,28,43)	RS1/16S101J		
R 502	(B,132,30)	RS1/16S750J	R 813	(A,22,37)	RS1/16S103J		
R 514	(B,127,16)	RS1/16S0R0J	R 815	(A,26,26)	RS1/16S105J		
R 515	(B,130,26)	RS1/16S0R0J	R 816	(A,24,26)	RS1/16S471J		
R 516	(B,123,28)	RS1/16S100J	R 817	(A,35,28)	RS1/16S101J		
R 517	(B,128,30)	RS1/16S100J	R 819	(B,26,29)	RS1/16S101J		
R 562	(A,88,39)	RS1/16S470J	R 821	(B,31,29)	RS1/16S0R0J		
R 563	(B,85,44)	RS1/16S101J	R 822	(B,38,30)	RS1/16S103J		
R 564	(A,88,41)	RS1/16S470J	R 823	(B,37,36)	RS1/16S473J		
R 565	(B,88,40)	RS1/16S101J	R 827	(B,47,38)	RS1/16S470J	C	
R 566	(A,88,42)	RS1/16S101J	R 828	(B,42,24)	RS1/16S470J		
R 567	(A,74,44)	RS1/16S101J	R 829	(B,45,32)	RS1/16S470J		
R 568	(A,75,43)	RS1/16S101J	R 830	(B,47,32)	RS1/16S470J		
R 569	(A,75,42)	RS1/16S470J	R 832	(A,48,41)	RS1/16S470J		
R 570	(A,75,41)	RS1/16S101J	R 833	(A,50,45)	RS1/16S470J		
R 571	(A,75,39)	RS1/16S470J	R 834	(A,54,46)	RS1/16S470J		
R 604	(B,111,49)	RS1/16S104J	R 835	(A,50,47)	RS1/16S470J		
R 605	(B,109,49)	RS1/16S104J	R 836	(A,54,48)	RS1/16S470J		
R 606	(B,107,49)	RS1/16S104J	R 840	(A,17,37)	RS1/16S101J		
R 609	(A,99,43)	RS1/16S0R0J	R 841	(A,65,38)	RS1/16S473J		
R 610	(B,101,48)	RS1/16S0R0J	R 851	(A,45,26)	RS1/16S470J	D	
R 613	(A,99,38)	RS1/16S101J	R 852	(B,44,24)	RS1/16S222J		
R 614	(A,97,44)	RS1/16S101J	R 855	(B,44,20)	RS1/16S103J		
R 615	(A,99,33)	RS1/16S470J	R 856	(A,52,19)	RS1/16S103J		
R 616	(A,99,32)	RS1/16S101J	R 857	(B,46,24)	RS1/16S103J		
R 617	(A,99,30)	RS1/16S101J	R 871	(B,57,36)	RS1/16S470J		
R 618	(A,99,29)	RS1/16S101J	R 872	(B,59,36)	RS1/16S470J		
R 620	(A,99,28)	RS1/16S470J	R 873	(B,59,44)	RS1/16S470J		
R 622	(A,111,28)	RS1/16S0R0J	R 874	(B,57,44)	RS1/16S470J		
R 623	(A,114,28)	RS1/16S0R0J	R 905	(B,111,19)	RS1/16S104J		
R 624	(A,114,29)	RS1/16S101J	R 908	(A,121,13)	RS1/16S0R0J		
R 625	(A,114,31)	RS1/16S101J	R 915	(B,89,26)	RS1/16S102J	E	
R 626	(A,114,32)	RS1/16S101J	R 951	(A,24,32)	RS1/16S101J		
R 627	(A,113,27)	RS1/16S103J	R 952	(A,23,32)	RS1/16S101J		
R 628	(A,115,38)	RS1/16S1802F	R 953	(A,20,37)	RS1/16S101J		
R 701	(B,76,35)	RS1/16S470J	R 954	(B,19,16)	RS1/16S101J		
R 702	(B,72,35)	RS1/16S101J	R 955	(B,17,16)	RS1/16S101J		
R 703	(B,62,26)	RS1/16S0R0J	R 956	(A,15,31)	RS1/16S101J		
R 704	(B,68,27)	RS1/16S4R7J	R 957	(A,17,31)	RS1/16S101J		
R 705	(A,58,18)	RS1/16S101J	R 958	(A,18,31)	RS1/16S101J		
R 706	(A,61,18)	RS1/16S101J	R 959	(A,19,31)	RS1/16S101J		
R 707	(A,63,18)	RS1/16S101J	R 960	(A,21,31)	RS1/16S101J	F	
R 708	(A,66,18)	RS1/16S101J	R 961	(A,21,34)	RS1/16S101J		
R 709	(A,68,18)	RS1/16S101J	R 962	(A,27,18)	RS1/16S104J		
R 710	(A,71,18)	RS1/16S101J	R 963	(A,29,52)	RS1/16S104J		

**Mark No. Description****Part No.****Mark No. Description****Part No.**

R 964 (A,26,52) RESISTOR ARRAY  
R 965 (B,34,56)

RAB4C104J  
RS1/16S104J

C 717 (A,83,27)

CCSRCH471J50

A

R 966 (A,53,61)  
R 967 (A,28,18)  
R 968 (A,30,18)  
R 969 (A,31,18)  
R 970 (A,34,18) RESISTOR ARRAY

RS1/16S331J  
RS1/16S104J  
RS1/16S104J  
RS1/16S104J  
RAB4C104J

C 718 (A,85,20)  
C 720 (A,83,24)  
C 763 (B,52,30)  
C 764 (B,54,30)  
C 801 (A,44,49)

CEVV470M6R3  
CKSRYB104K16  
CCSRCH471J50  
CKSRYB104K16  
CCSRCH471J50

R 971 (A,59,61)  
R 972 (A,56,61)  
R 973 (A,53,59)  
R 977 (B,46,57)  
R 978 (B,50,57)

RS1/16S331J  
RS1/16S331J  
RS1/16S331J  
RS1/16S101J  
RS1/16S101J

C 802 (A,44,50)  
C 803 (A,37,49)  
C 804 (A,37,50)  
C 805 (A,32,49)  
C 806 (A,32,50)

CKSRYB104K16  
CCSRCH471J50  
CKSRYB104K16  
CCSRCH471J50  
CKSRYB104K16

B

R 979 (B,46,53)  
R 980 (B,53,57)

RS1/16S101J  
RS1/16S101J

C 807 (A,27,44)  
C 808 (A,26,44)  
C 809 (A,27,41)  
C 810 (A,26,41)  
C 814 (A,27,33)

CCSRCH471J50  
CKSRYB104K16  
CCSRCH471J50  
CKSRYB104K16  
CCSRCH471J50

**CAPACITORS**

C 401 (A,69,49)  
C 402 (A,81,60)  
C 403 (A,81,61)  
C 404 (B,106,57)  
C 405 (B,112,58)

CEVV470M6R3  
CKSRYB104K16  
CCSRCH471J50  
CKSRYB104K16  
CKSRYB104K16

C 815 (A,26,33)  
C 816 (A,21,26)  
C 817 (A,29,26)  
C 818 (A,35,22)  
C 819 (A,37,22)

CKSRYB104K16  
CCSRCH8R0D50  
CCSRCH8R0D50  
CCSRCH471J50  
CKSRYB104K16

C

C 406 (B,112,54)  
C 407 (A,121,54)  
C 408 (A,120,58)  
C 409 (A,71,58)  
C 410 (A,71,56)

CKSRYB104K16  
CEVV101M16  
CKSRYB104K16  
CCSRCH100D50  
CCSRCH100D50

C 821 (A,30,30)  
C 822 (A,30,28)  
C 823 (A,32,30)  
C 824 (A,32,28)  
C 825 (B,33,39)

CCSRCH471J50  
CKSRYB104K16  
CCSRCH471J50  
CKSRYB104K16  
CKSRYB103K50

C 413 (A,115,56)  
C 503 (B,125,16)  
C 504 (B,130,30)  
C 551 (A,85,47)  
C 552 (A,85,45)

CKSQYB105K16  
CKSRYB103K50  
CKSRYB103K50  
CKSRYB104K16  
CCSRCH471J50

C 826 (A,38,30)  
C 827 (A,38,29)  
C 828 (A,48,35)  
C 829 (A,49,35)  
C 830 (A,48,38)

CCSRCH471J50  
CKSRYB104K16  
CCSRCH471J50  
CKSRYB104K16  
CCSRCH471J50

D

C 605 (A,99,41)  
C 606 (A,100,41)  
C 607 (A,94,39)  
C 608 (A,99,36)  
C 609 (A,100,36)

CCSRCH471J50  
CKSRYB104K16  
CEVV470M6R3  
CCSRCH471J50  
CKSRYB104K16

C 831 (A,49,38)  
C 832 (A,48,43)  
C 833 (A,49,43)  
C 834 (A,41,23)  
C 835 (A,55,42) CHIP ELECT.CAPACITOR

CKSRYB104K16  
CCSRCH471J50  
CKSRYB104K16  
CEVV101M16  
CEVV101M4

C 612 (A,103,28)  
C 613 (A,107,28)  
C 614 (B,111,28)  
C 617 (B,113,28)  
C 618 (A,121,31)

CCSRCH120J50  
CCSRCH120J50  
CKSRYB104K16  
CKSRYB102K50  
CEVV470M6R3

C 851 (A,45,18)  
C 852 (A,43,18)  
C 871 (B,66,41)  
C 872 (B,68,41)  
C 907 (B,114,24)

CCSRCH471J50  
CKSRYB104K16  
CCSRCH471J50  
CKSRYB104K16  
CKSRYB104K16

C 619 (A,116,35)  
C 620 (A,114,35)  
C 621 (A,114,38)  
C 701 (A,65,32)  
C 702 (A,66,32)

CKSRYB104K16  
CCSRCH471J50  
CKSRYB474K10  
CKSRYB103K50  
CCSRCH471J50

C 908 (A,121,23)  
C 909 (A,96,20) CHIP ELECT.CAPACITOR  
C 916 (B,67,34)  
C 917 (B,69,34)  
C 918 (B,79,36)

CEVV101M16  
CEVV101M4  
CCSRCH471J50  
CKSRYB103K50  
CKSRYB104K16

E

C 703 (A,62,23)  
C 704 (A,65,29)  
C 705 (A,66,29)  
C 706 (B,64,26)  
C 707 (B,58,19)

CEVV101M16  
CKSRYB104K16  
CCSRCH101J50  
CKSRYB104K16  
CCSRCH471J50

C 919 (B,80,36)  
C 951 (A,52,56)  
C 952 (A,54,56)  
C 954 (B,24,34)  
C 955 (B,26,34)

CCSRCH471J50  
CCSRCH471J50  
CKSRYB105K6R3  
CCSRCH471J50  
CKSQYB105K16

C 708 (B,61,19)  
C 709 (B,63,19)  
C 710 (B,66,19)  
C 711 (B,68,19)  
C 712 (B,71,19)

CCSRCH471J50  
CCSRCH471J50  
CCSRCH471J50  
CCSRCH471J50  
CCSRCH471J50

C 956 (A,64,56)  
C 957 (A,62,56)

CKSQYB105K16  
CCSRCH471J50

F

C 713 (B,73,19)  
C 714 (B,76,19)  
C 715 (A,88,29)  
C 716 (A,84,27)

CCSRCH471J50  
CCSRCH471J50  
CEVV101M16  
CKSRYB104K16

**B** DSP ASSY (AWX8572)  
**MISCELLANEOUS**

IC 501 (B,118,52) IC  
IC 601 (A,107,50) DA I/F TRANSCEIVER

TC74HCU04AF  
AK4114VQ

5			6			7			8		
Mark No.	Description	Part No.	Mark No.	Description	Part No.	Mark No.	Description	Part No.	Mark No.	Description	Part No.
IC 701	(A,75,43) CODEC IC	AK4628AVQ	R 559	(B,81,62)				RS1/16S104J			
IC 801	(A,42,53) DSP IC	DSPC56371AF180									
IC 802	(A,44,38) IC	TC7WU04FU	R 560	(B,83,62)				RS1/16S104J			
			R 561	(B,85,62)				RS1/16S104J			A
IC 851	(A,55,39) FLASH ROM IC	PDC145A8	R 572	(A,90,54)				RS1/16S0R0J			
	FLASH ROM IC	LE25FW106M	R 573	(B,90,54)				RS1/16S0R0J			
IC 871	(B,63,53) IC	TC7WH125FU	R 574	(B,76,56)				RS1/16S0R0J			
△ IC 901	(B,120,30) IC	NJM2391DL1-33									
△ IC 902	(B,94,36) REGULATOR IC	LM1117DT-ADJ	R 575	(B,74,56)				RS1/16S0R0J			
IC 952	(B,19,48) OCTAL BUS BUFFER IC	TC74VHCT244AFTS1	R 577	(B,93,61)				RS1/16S104J			
			R 579	(A,96,58)				RS1/16S0R0J			
Q 801	(B,39,43) TRANSISTOR	UN5212	R 601	(A,110,57)				RS1/16S0R0J			
D 701	(A,79,33) DIODE	DAP202K	R 602	(A,109,57)				RS1/16S0R0J			
D 702	(B,80,32) DIODE	DAN202K									
D 901	(B,116,38) DIODE	UDZS5R6(B)	R 603	(A,107,57)				RS1/16S0R0J			
D 902	(B,102,33) DIODE	UDZS5R6(B)	R 604	(B,111,63)				RS1/16S104J			
			R 605	(B,109,63)				RS1/16S104J			B
L 501	(B,127,29) CHIP SOLID INDUCTOR	QTL1013	R 606	(B,107,63)				RS1/16S104J			
L 502	(B,130,40) CHIP SOLID INDUCTOR	QTL1013	R 607	(A,106,57)				RS1/16S0R0J			
L 503	(A,122,62) CHIP SOLID INDUCTOR	QTL1013									
L 601	(B,103,62) CHIP SOLID INDUCTOR	QTL1013	R 609	(A,99,57)				RS1/16S0R0J			
L 602	(A,98,49) CHIP SOLID INDUCTOR	QTL1013	R 610	(B,101,62)				RS1/16S0R0J			
			R 612	(A,96,47)				RS1/16S0R0J			
L 605	(A,117,43) CHIP SOLID INDUCTOR	QTL1013	R 613	(A,99,52)				RS1/16S101J			
L 701	(B,66,43) CHIP SOLID INDUCTOR	QTL1013	R 614	(A,97,58)				RS1/16S101J			
L 702	(A,94,38) CHIP SOLID INDUCTOR	QTL1013									
L 801	(A,47,38) CHIP SOLID INDUCTOR	QTL1013	R 615	(A,99,47)				RS1/16S470J			
L 802	(A,50,42) CHIP SOLID INDUCTOR	ATL7002	R 616	(A,99,46)				RS1/16S101J			
			R 617	(A,99,44)				RS1/16S101J			
L 803	(A,58,52) CHIP SOLID INDUCTOR	ATL7002	R 618	(A,99,43)				RS1/16S101J			C
L 804	(B,35,48) CHIP SOLID INDUCTOR	QTL1013	R 620	(A,99,41)				RS1/16S470J			
L 851	(A,51,42) CHIP SOLID INDUCTOR	QTL1013									
L 871	(B,68,56) CHIP SOLID INDUCTOR	QTL1013	R 622	(A,111,42)				RS1/16S0R0J			
L 901	(B,105,32) CHIP SOLID INDUCTOR	ATL7002	R 623	(A,114,42)				RS1/16S0R0J			
			R 624	(A,114,43)				RS1/16S101J			
L 902	(B,100,33) CHIP SOLID INDUCTOR	ATL7002	R 625	(A,114,44)				RS1/16S101J			
L 952	(B,25,56) CHIP SOLID INDUCTOR	QTL1013	R 626	(A,114,46)				RS1/16S101J			
JA501	(A,140,35) JACK	AKB7131									
X 601	(A,106,39) CRYSTAL RESONATOR (12.288MHz)	ASS7046	R 627	(A,113,40)				RS1/16S103J			
X 801	(A,36,36) CRYSTAL RESONATOR (20 MHz)	VSS1171	R 628	(A,115,51)				RS1/16S1802F			
			R 629	(A,115,53)				RS1/16S0R0J			
			R 630	(A,115,57)				RS1/16S0R0J			
			R 701	(B,76,49)				RS1/16S470J			D
CN601	(A,100,63) 10P CONNECTOR	VKN1414									
CN701	(A,81,28) 19P SOCKET	XKP3080	R 702	(B,72,49)				RS1/16S101J			
CN902	(A,114,28) 13P SOCKET	XKP3077	R 703	(B,62,40)				RS1/16S0R0J			
CN952	(A,43,28) 15P SOCKET	XKP3078	R 704	(B,68,41)				RS1/16S4R7J			
			R 705	(A,58,32)				RS1/16S101J			
			R 706	(A,61,32)				RS1/16S101J			
<b>RESISTORS</b>											
R 501	(B,129,29)	RS1/16S750J									
R 502	(B,127,42)	RS1/16S750J	R 707	(A,63,32)				RS1/16S101J			
R 503	(B,123,42)	RS1/16S473J	R 708	(A,66,32)				RS1/16S101J			
R 504	(A,117,62)	RS1/16S473J	R 709	(A,68,32)				RS1/16S101J			
R 505	(A,115,62)	RS1/16S0R0J	R 710	(A,71,32)				RS1/16S101J			
			R 711	(A,73,32)				RS1/16S101J			
R 506	(B,123,38)	RS1/16S222J									
R 507	(A,118,62)	RS1/16S222J	R 712	(A,76,32)				RS1/16S101J			
R 508	(B,121,42)	RS1/16S101J	R 713	(A,84,44)				RS1/16S470J			
R 509	(B,117,62)	RS1/16S101J	R 714	(A,84,49)				RS1/16S101J			
R 512	(B,121,62)	RS1/16S101J	R 715	(A,85,50)				RS1/16S101J			
			R 716	(A,82,51)				RS1/16S101J			
R 513	(B,123,62)	RS1/16S101J									
R 551	(B,63,60)	RS1/16S104J	R 801	(A,54,63)				RS1/16S470J			
R 552	(B,65,60)	RS1/16S104J	R 802	(A,45,64)				RAB4C101J			
R 553	(B,67,60)	RS1/16S104J	R 803	(B,50,62)				RS1/16S103J			
R 554	(B,69,60)	RS1/16S104J	R 804	(B,48,62)				RS1/16S103J			
			R 805	(B,46,62)				RS1/16S103J			
R 555	(B,71,60)	RS1/16S104J									
R 556	(B,75,60)	RS1/16S104J	R 806	(B,44,62)				RS1/16S103J			F
R 557	(B,77,60)	RS1/16S104J	R 807	(B,42,56)				RS1/16S473J			
R 558	(B,79,60)	RS1/16S104J	R 808	(B,35,56)				RS1/16S472J			
			R 809	(B,40,56)				RS1/16S472J			

	<u>Mark No.</u>	<u>Description</u>	<u>Part No.</u>	<u>Mark No.</u>	<u>Description</u>	<u>Part No.</u>
	R 810	(A,31,52)	RS1/16S473J	<b>CAPACITORS</b>		
A	R 811	(B,30,51)	RS1/16S472J	C 503	(B,125,29)	CKSRYB103K50
	R 812	(B,32,51)	RS1/16S101J	C 504	(B,125,42)	CKSRYB103K50
	R 813	(A,27,49)	RS1/16S103J	C 505	(B,125,38)	CCSRCH470J50
	R 815	(A,38,40)	RS1/16S105J	C 506	(A,121,62)	CCSRCH470J50
	R 816	(A,35,40)	RS1/16S471J	C 511	(B,125,52)	CCSRCH471J50
		R 817	(A,44,42)	RS1/16S101J	C 512	(B,127,52)
B	R 819	(B,38,49)	RS1/16S101J	C 513	(A,121,56)	CEVW101M16
	R 821	(B,37,43)	RS1/16S0R0J	C 605	(A,99,55)	CCSRCH471J50
	R 822	(B,42,44)	RS1/16S103J	C 606	(A,100,55)	CKSRYB104K16
	R 823	(B,43,50)	RS1/16S473J	C 607	(A,94,53)	CEVW470M6R3
	R 827	(B,51,51)	RS1/16S470J	C 608	(A,99,49)	CCSRCH471J50
	R 828	(A,54,44)	RS1/16S470J	C 609	(A,100,49)	CKSRYB104K16
C	R 829	(A,56,48)	RS1/16S470J	C 612	(A,103,42)	CCSRCH120J50
	R 830	(A,57,48)	RS1/16S470J	C 613	(A,107,42)	CCSRCH120J50
	R 832	(A,53,54)	RS1/16S470J	C 614	(B,111,41)	CKSRYB104K16
	R 833	(A,57,57)	RS1/16S470J	C 617	(B,117,42)	CKSRYB102K50
	R 834	(A,57,58)	RS1/16S470J	C 618	(A,121,45)	CEVW470M6R3
	R 835	(A,57,60)	RS1/16S470J	C 619	(A,116,48)	CKSRYB104K16
D	R 836	(A,57,61)	RS1/16S470J	C 620	(A,114,48)	CCSRCH471J50
	R 840	(A,23,49)	RS1/16S101J	C 621	(A,114,51)	CKSRYB474K10
	R 841	(A,63,46)	RS1/16S473J	C 701	(A,65,47)	CKSRYB103K50
	R 851	(A,53,45)	RS1/16S470J	C 702	(A,66,47)	CCSRCH471J50
	R 852	(B,53,45)	RS1/16S222J	C 703	(A,62,38)	CEVW101M16
	R 853	(A,56,34)	RS1/16S0R0J	C 704	(A,65,44)	CKSRYB104K16
E	R 855	(B,53,41)	RS1/16S103J	C 705	(A,66,44)	CCSRCH101J50
	R 856	(A,57,45)	RS1/16S103J	C 706	(B,64,40)	CKSRYB104K16
	R 857	(B,55,44)	RS1/16S103J	C 707	(B,58,33)	CCSRCH471J50
	R 871	(B,58,48)	RS1/16S470J	C 708	(B,61,33)	CCSRCH471J50
	R 872	(B,60,48)	RS1/16S470J	C 709	(B,63,33)	CCSRCH471J50
	R 873	(B,60,56)	RS1/16S470J	C 710	(B,66,33)	CCSRCH471J50
F	R 874	(B,58,56)	RS1/16S470J	C 711	(B,68,33)	CCSRCH471J50
	R 904	(B,113,31)	RS1/16S104J	C 712	(B,71,33)	CCSRCH471J50
	R 905	(B,111,33)	RS1/16S104J	C 713	(B,73,33)	CCSRCH471J50
	R 906	(B,107,31)	RS1/16S104J	C 714	(B,76,33)	CCSRCH471J50
	R 908	(A,121,27)	RS1/16S0R0J	C 715	(A,88,42)	CEVW101M16
	R 913	(A,85,30)	RS1/16S0R0J	C 716	(A,84,41)	CKSRYB104K16
G	R 915	(B,89,37)	RS1/16S102J	C 717	(A,83,41)	CCSRCH471J50
	R 951	(A,26,49)	RS1/16S101J	C 718	(A,85,33)	CEVW470M6R3
	R 952	(A,25,49)	RS1/16S101J	C 720	(A,83,38)	CKSRYB104K16
	R 953	(A,22,49)	RS1/16S101J	C 801	(A,49,63)	CCSRCH471J50
	R 954	(B,22,39)	RS1/16S331J	C 802	(A,49,64)	CKSRYB104K16
	R 955	(B,20,39)	RS1/16S331J	C 803	(A,42,63)	CCSRCH471J50
H	R 956	(B,18,39)	RS1/16S331J	C 804	(A,42,64)	CKSRYB104K16
	R 957	(B,16,39)	RS1/16S331J	C 805	(A,37,63)	CCSRCH471J50
	R 958	(A,17,44)	RS1/16S331J	C 806	(A,37,64)	CKSRYB104K16
	R 959	(A,18,44)	RS1/16S331J	C 807	(A,32,58)	CCSRCH471J50
	R 960	(A,19,45)	RS1/16S331J	C 808	(A,31,58)	CKSRYB104K16
	R 961	(A,21,45)	RS1/16S331J	C 809	(A,32,55)	CCSRCH471J50
I	R 962	(A,20,31) RESISTOR ARRAY	RAB4C104J	C 810	(A,31,55)	CKSRYB104K16
	R 967	(A,29,32)	RS1/16S104J	C 814	(A,32,47)	CCSRCH471J50
	R 968	(A,31,32)	RS1/16S104J	C 815	(A,31,47)	CKSRYB104K16
	R 969	(A,33,32)	RS1/16S104J	C 816	(A,32,40)	CCSRCH8R0D50
	R 970	(A,37,32) RESISTOR ARRAY	RAB4C104J	C 817	(A,41,40)	CCSRCH8R0D50
	R 974	(A,42,32)	RS1/16S0R0J	C 818	(A,46,34)	CCSRCH471J50
J	R 975	(A,15,52)	RS1/16S101J	C 819	(A,46,33)	CKSRYB104K16
	R 976	(A,16,52)	RS1/16S101J	C 820	(A,46,31)	CKSRYB103K50
	R 983	(B,15,32)	RS1/16S0R0J	C 821	(A,35,43)	CCSRCH471J50
				C 822	(A,35,42)	CKSRYB104K16
				C 823	(A,37,43)	CCSRCH471J50

5		6		7		8	
Mark No.	Description	Part No.	Mark No.	Description	Part No.		
C 824	(A,37,42)	CKSRYB104K16	Q 721	(A,142,71) TRANSISTOR	2SA1145		
C 825	(B,38,52)	CKSRYB103K50	Q 722	(A,161,74) TRANSISTOR	2SC2240		
C 826	(A,44,44)	CCSRCH471J50	Q 801	(B,277,141) DIGITAL TR(SC-70)	RT1P241M		A
C 827	(A,41,44)	CKSRYB104K16	Q 802	(B,274,145) TRANSISTOR	RT1N241M		
C 828	(A,53,48)	CCSRCH471J50	Q 803	(B,265,140) DIGITAL TR(SC-70)	RT1P241M		
C 829	(A,54,48)	CKSRYB104K16	Q 804	(B,268,145) TRANSISTOR	RT1N241M		
C 830	(A,53,52)	CCSRCH471J50	Q 805	(B,277,146) DIGITAL TR(SC-70)	RT1P241M		
C 831	(A,54,52)	CKSRYB104K16	Q 806	(B,271,145) TRANSISTOR	RT1N241M		
C 832	(A,53,57)	CCSRCH471J50	Q 807	(B,276,53) CHIP TR(2*PNP)	RN2903		
C 833	(A,54,57)	CKSRYB104K16	Q 808	(B,283,56) CHIP TRANSISTOR	RN1903		
C 834	(A,52,28)	CEVW101M16	Q 809	(A,266,101) TRANSISTOR	2SD1858X		
C 835	(A,63,52)	CEVW101M16	D 601	(A,125,57) DIODE	1SS133		
C 851	(A,51,38)	CCSRCH471J50	D 602	(A,267,17) ZENER DIODE	MTZJ15A		
C 852	(A,50,38)	CKSRYB104K16	D 603	(A,119,57) DIODE	1SS133		B
C 871	(B,66,52)	CCSRCH471J50	D 604	(A,261,21) ZENER DIODE	MTZJ15A		
C 872	(B,68,52)	CKSRYB104K16	D 606	(A,259,57) DIODE	1SS133		
C 907	(B,114,38)	CKSRYB104K16	D 608	(A,253,52) DIODE	1SS133		
C 908	(A,121,37)	CEVW101M16	D 631	(A,192,61) DIODE	1SS133		
C 909	(A,96,34)	CEVW101M16	D 632	(A,176,52) DIODE	1SS133		
C 916	(B,67,47)	CCSRCH471J50	D 647	(A,200,17) ZENER DIODE	MTZJ15A		
C 917	(B,69,47)	CKSRYB103K50	D 648	(A,196,21) ZENER DIODE	MTZJ15A		
C 918	(B,79,49)	CKSRYB104K16	D 651	(A,192,57) DIODE	1SS133		
C 919	(B,80,49)	CCSRCH471J50	D 652	(A,262,57) DIODE	1SS133		
C 954	(B,26,52)	CCSRCH471J50	D 653	(A,186,52) DIODE	1SS133		
C 955	(B,28,52)	CKSRYB104K16	D 654	(A,242,52) DIODE	1SS133		C
C 956	(A,24,54)	CEVW100M16	D 681	(A,132,17) ZENER DIODE	MTZJ15A		
			D 682	(A,129,22) ZENER DIODE	MTZJ15A		
			D 683	(A,135,58) DIODE	1SS133		
			D 684	(A,65,72) DIODE	1SS133		
			△ D 701	(A,9,88) DIODE	D5SBA20(B)		

## **C** POWER PACK ASSY (XWZ4087)

### MISCELLANEOUS

△ IC 601	(A,265,14) POWER PACK 2CH	STK412-230C	△ D 702	(A,9,126) DIODE	D5SBA20(B)		
△ IC 602	(A,199,14) POWER PACK 2CH	STK412-230C	D 703	(B,252,76) DIODE	1SS355		
△ IC 603	(A,132,14) POWER PACK 3CH	STK413-230C	D 711	(A,196,103) ZENER DIODE	MTZJ22D		
△ IC 610	(A,59,28) PROTECTOR(1A)	AEK7009	D 712	(A,192,103) DIODE	MTZJ6R8(B)		
△ IC 803	(A,238,87) IC	TA7805S	D 713	(A,120,78) DIODE	1SS133		
△ IC 804	(A,282,111) REGULATOR IC	TA7809S	D 752	(B,170,135) DIODE	1SS355		D
△ IC 805	(B,271,135) IC	BA178M05FP	D 754	(B,141,132) DIODE	1SS355		
Q 501	(B,85,42) CHIP TRANSISTOR	2SD2704K	D 758	(B,73,136) DIODE	1SS355		
Q 505	(A,111,47) TRANSISTOR	2SC2240	D 777	(A,127,57) DIODE	1SS133		
Q 601	(B,93,47) CHIP TRANSISTOR	2SD2704K	D 778	(A,108,57) DIODE	1SS133		
Q 602	(B,227,45) CHIP TRANSISTOR	2SD2704K	△ D 801	(B,221,113) BRIDGE DIODE	S1WB(A)60SD		
Q 605	(A,118,40) TRANSISTOR	2SC2240	D 805	(A,276,131) DIODE	1SS133		
Q 606	(A,252,40) TRANSISTOR	2SC2240	D 806	(A,287,62) DIODE	MTZJ6R2(B)		
Q 631	(B,153,42) CHIP TRANSISTOR	2SD2704K	D 807	(A,284,67) DIODE	1SS133		
Q 633	(A,178,47) TRANSISTOR	2SC2240	D 827	(A,262,133) DIODE	MTZJ6R2(B)		
Q 651	(B,161,45) CHIP TRANSISTOR	2SD2704K	D 828	(A,239,98) DIODE	MTZJ6R2(B)		E
Q 652	(B,219,42) CHIP TRANSISTOR	2SD2704K	△ D 829	(A,239,128) DIODE	D3SBA20(B)		
Q 655	(A,186,40) TRANSISTOR	2SC2240	L 501	(A,97,118) COIL	ATH1004		
Q 656	(A,244,47) TRANSISTOR	2SC2240	L 751	(A,160,108) COIL	ATH1004		
Q 681	(B,72,63) CHIP TRANSISTOR	2SD2704K	L 752	(A,173,108) COIL	ATH1004		
Q 683	(A,59,65) TRANSISTOR	2SC2240	L 753	(A,120,107) COIL	ATH1004		
Q 696	(B,284,22) TRANSISTOR	2SC4081	L 754	(A,78,118) COIL	ATH1004		
Q 697	(B,282,26) TRANSISTOR	2SC4081	L 761	(A,130,108) COIL	ATH1004		
Q 698	(B,246,67) TRANSISTOR	RT1N241M	L 762	(A,142,108) COIL	ATH1004		
△ Q 701	(A,110,75) TRANSISTOR	2SC5511	J 43	JUMPER WIRE 11P	D20PY1120E		
△ Q 702	(A,96,86) TRANSISTOR	2SA2005	KN601	(A,65,23) WRAPPING TERMINAL	VNF1084		F
Q 703	(A,155,76) TRANSISTOR	2SA1145	RY501	(A,75,132) RELAY	XSR3012		
Q 704	(A,166,79) TRANSISTOR	2SC2240	RY751	(A,173,130) RELAY	XSR3012		
Q 705	(B,245,74) CHIP TRANSISTOR	RN4903	RY752	(A,141,126) RELAY	XSR3012		
Q 707	(B,241,74) CHIP TRANSISTOR	RN4903	RY753	(A,117,120) RELAY	XSR3012		

**Mark No. Description****Part No.****Mark No. Description****Part No.**

CN604 (A,87,134) CONNECTOR CKS3373  
 CN701 (A,212,134) 11PJUMPER CONNECTOR 52147-1110  
 CN702 (A,201,106) 6P JUMPER CONNECTOR 52147-0610  
 CN705 (A,295,40) 21P PLUG XKM3011  
 CN751 SP TERMINAL 8-P(V0) XKE3039

CN752 SP TERMINAL 6-P(V0) XKE3040  
 CN803 (A,231,129) 6P PLUG KM200TA6  
 CN805 (A,317,153) 13P PLUG XKP3066  
 CN806 19P PLUG XKP3069  
 CN807 (A,317,82) 15P PLUG XKP3067

CN815 (A,295,79) 19P PLUG XKM3005  
 CN816 (A,295,126) 21P PLUG XKM3011  
 CN817 (A,308,38) CONNECTOR CKS3382  
 B 810 (A,277,90) 11P CABLE HOLDER 51048-1100

**RESISTORS**

R 601 (A,96,56) RD1/4PU222J  
 R 602 (A,230,52) RD1/4PU222J  
 R 603 (B,93,52) RS1/16S103J  
 R 604 (B,226,49) RS1/16S103J  
 R 609 (A,91,35) RD1/4PU273J

R 610 (A,225,35) RD1/4PU273J  
 R 611 (A,90,28) RD1/4PU821J  
 R 612 (A,223,28) RD1/4PU821J  
 C R 613 (A,114,21) RD1/4PU273J  
 R 614 (A,247,21) RD1/4PU273J

R 615 (A,123,36) RD1/4PU331J  
 R 616 (A,270,29) RD1/4PU562J  
 ⚠ R 617 (A,114,31) RESISTOR (0.22, 5W) ACN7094  
 R 618 (A,266,28) RD1/4PU562J  
 R 619 (A,122,52) RD1/4PU182J

R 620 (A,257,36) RD1/4PU331J  
 R 621 (A,124,49) RD1/4PU821J  
 ⚠ R 622 (A,248,31) RESISTOR (0.22, 5W) ACN7094  
 R 623 (A,116,48) RD1/4PU223J  
 D R 624 (A,257,52) RD1/4PU182J

R 626 (A,258,49) RD1/4PU821J  
 R 628 (A,250,48) RD1/4PU223J  
 R 630 (A,230,21) RD1/4PU333J  
 R 631 (A,148,46) RD1/4PU222J  
 R 632 (B,152,47) RS1/16S103J

R 635 (A,153,29) RD1/4PU273J  
 R 636 (A,149,25) RD1/4PU821J  
 R 637 (A,172,21) RD1/4PU273J  
 R 638 (A,174,36) RD1/4PU331J  
 ⚠ R 639 (A,173,31) RESISTOR (0.22, 5W) ACN7094

E R 640 (A,179,57) RD1/4PU182J  
 R 641 (A,174,52) RD1/4PU821J  
 R 642 (A,169,39) RD1/4PU223J  
 R 647 (A,202,27) RD1/4PU562J  
 R 648 (A,199,27) RD1/4PU562J

R 651 (A,164,56) RD1/4PU222J  
 R 652 (A,215,41) RD1/4PU222J  
 R 653 (B,160,50) RS1/16S103J  
 R 654 (B,219,46) RS1/16S103J  
 R 659 (A,159,35) RD1/4PU273J

F R 660 (A,220,29) RD1/4PU273J  
 R 661 (A,156,28) RD1/4PU821J  
 R 662 (A,216,20) RD1/4PU821J  
 R 663 (A,181,21) RD1/4PU273J

R 664 (A,238,21) RD1/4PU273J  
 R 665 (A,190,36) RD1/4PU331J  
 R 666 (A,240,35) RD1/4PU331J  
 ⚠ R 667 (A,182,31) RESISTOR (0.22, 5W) ACN7094  
 ⚠ R 668 (A,239,31) RESISTOR (0.22, 5W) ACN7094  
 R 669 (A,189,52) RD1/4PU182J

R 670 (A,245,52) RD1/4PU182J  
 R 671 (A,192,49) RD1/4PU821J  
 R 672 (A,240,57) RD1/4PU821J  
 R 673 (A,184,48) RD1/4PU223J  
 R 674 (A,236,38) RD1/4PU223J

R 681 (A,66,63) RD1/4PU222J  
 R 682 (B,76,63) RS1/16S103J  
 R 685 (A,77,41) RD1/4PU273J  
 R 686 (A,78,35) RD1/4PU821J  
 R 687 (A,83,10) RD1/4PU273J

R 688 (A,135,27) RD1/4PU562J  
 R 689 (A,133,27) RD1/4PU562J  
 R 690 (A,60,52) RD1/4PU331J  
 ⚠ R 691 (A,55,55) RESISTOR (0.22, 5W) ACN7094  
 R 692 (A,70,72) RD1/4PU182J

R 693 (A,67,77) RD1/4PU821J  
 R 694 (A,62,72) RD1/4PU223J  
 R 695 (A,97,22) RD1/4PU333J  
 R 696 (B,281,38) RS1/16S103J  
 R 697 (B,255,68) RS1/16S103J

R 698 (B,243,67) RS1/16S333J  
 R 699 (A,165,21) RD1/4PU333J  
 R 701 (A,117,78) RD1/4PU562J  
 R 702 (A,101,84) RD1/4PU562J  
 R 703 (A,151,72) RD1/4PU203J

R 704 (A,147,76) RD1/4PU203J  
 R 705 (A,283,85) RD1/4PU473J  
 R 706 (A,283,75) RD1/4PU473J  
 R 707 (A,135,77) RD1/4PU184J  
 R 708 (A,147,81) RD1/4PU184J

⚠ R 709 (A,104,72) METAL OXIDE RESISTOR RS1LMF272J  
 ⚠ R 710 (A,89,93) METAL OXIDE RESISTOR RS1LMF272J  
 ⚠ R 711 (A,181,86) METAL OXIDE RESISTOR RS2LMF242J  
 R 713 (A,117,81) RD1/4PU102J  
 R 714 (B,252,68) RS1/16S102J

R 715 (B,250,75) RS1/16S103J  
 R 716 (B,247,75) RS1/16S103J  
 R 721 (A,125,77) RD1/4PU682J  
 R 722 (A,123,77) RD1/4PU682J  
 R 723 (A,276,78) RD1/4PU473J

R 724 (A,279,83) RD1/4PU473J  
 R 725 (A,276,74) RD1/4PU103J  
 R 726 (B,291,59) RS1/16S103J  
 R 727 (B,287,59) RS1/16S103J  
 ⚠ R 751 (A,158,119) CARBON FILM RESISTOR RD1/4PUF101J

⚠ R 752 (A,185,120) CARBON FILM RESISTOR RD1/4PUF101J  
 ⚠ R 753 (A,156,126) METAL OXIDE RESISTOR RS1LMF4R7J  
 ⚠ R 754 (A,181,126) METAL OXIDE RESISTOR RS1LMF4R7J  
 ⚠ R 755 (A,103,117) CARBON FILM RESISTOR RD1/4PUF101J  
 ⚠ R 756 (A,101,120) METAL OXIDE RESISTOR RS1LMF4R7J

⚠ R 761 (A,125,117) CARBON FILM RESISTOR RD1/4PUF101J  
 ⚠ R 762 (A,155,119) CARBON FILM RESISTOR RD1/4PUF101J  
 ⚠ R 763 (A,124,132) METAL OXIDE RESISTOR RS1LMF4R7J  
 ⚠ R 764 (A,149,139) METAL OXIDE RESISTOR RS1LMF4R7J



5	6	7	8
Mark No.	Description	Part No.	Mark No. Description Part No.
△ R 771 (A,63,144)	METAL OXIDE RESISTOR	RS1LMF4R7J	C 656 (A,215,33) CEAT4R7M50
△ R 772 (A,63,127)	CARBON FILM RESISTOR	RD1/4PUF101J	C 657 (B,165,17) CCSRCH470J50
R 777 (A,81,41)		RD1/4PU222J	C 658 (B,221,17) CCSRCH470J50
R 778 (B,84,48)		RS1/16S103J	C 659 (A,158,31) CEAT101M16
R 781 (A,87,30)		RD1/4PU273J	C 660 (A,219,25) CEAT101M16
R 782 (A,84,22)		RD1/4PU821J	C 661 (B,184,23) CCSRCH470J50
R 783 (A,104,21)		RD1/4PU273J	C 662 (B,241,27) CCSRCH470J50
R 784 (A,111,35)		RD1/4PU331J	C 663 (B,184,27) CCSRCH470J50
△ R 785 (A,105,31)	RESISTOR (0.22, 5W)	ACN7094	C 664 (B,241,24) CCSRCH470J50
R 786 (A,111,57)		RD1/4PU182J	C 665 (A,184,45) CEANP2R2M50
R 787 (A,106,57)		RD1/4PU821J	C 666 (A,239,49) CEANP2R2M50
R 788 (A,102,38)		RD1/4PU223J	C 682 (B,74,48) CKSRYB331K50
R 789 (A,82,127)	CARBON FILM RESISTOR	RD1/4PUF101J	C 683 (A,74,50) CEAT4R7M50
△ R 790 (A,80,145)	METAL OXIDE RESISTOR	RS1LMF4R7J	C 684 (B,82,18) CCSRCH470J50
R 806 (B,283,48)		RS1/16S103J	C 685 (A,78,38) CEAT101M16
R 807 (B,278,48)		RS1/16S103J	C 686 (B,92,9) CCSRCH470J50
R 808 (B,283,52)		RS1/16S102J	C 687 (B,87,8) CCSRCH470J50
R 809 (B,261,105)		RS1/16S122J	C 688 (A,75,78) CEANP2R2M50
R 810 (B,264,105)		RS1/16S271J	C 696 (B,281,35) CKSRYB102K50
R 885 (B,310,57)		RS1/16S221J	C 697 (A,286,34) CEAT221M6R3
R 886 (B,310,61)		RS1/16S221J	C 701 (A,49,80) ELECT.CAPACITOR XCH3026
R 887 (B,310,65)		RS1/16S221J	C 702 (A,49,107) ELECT.CAPACITOR XCH3026
R 888 (B,315,22)		RS1/16S221J	C 703 (A,43,130) ELECT.CAPACITOR XCH3012
R 1101(B,273,68)		RS1/16S0R0J	C 704 (A,38,150) ELECT.CAPACITOR XCH3012
R 1102(B,274,61)		RS1/16S0R0J	C 705 (A,156,81) ELECT. CAPACITOR CEAT100M2A
R 1103(B,70,136)		RS1/16S0R0J	C 706 (A,143,84) ELECT. CAPACITOR CEAT100M2A
R 1104(B,138,132)		RS1/16S0R0J	C 707 (A,17,99) MYLAR FILM CAPACITOR CQMA103K2E
R 1105(B,168,135)		RS1/16S0R0J	C 708 (A,16,137) MYLAR FILM CAPACITOR CQMA103K2E
R 1106(B,146,53)		RS1/16S0R0J	C 709 (A,257,73) CEAT1R0M50
R 1107(B,211,58)		RS1/16S0R0J	C 711 (A,195,99) ELECT. CAPACITOR CEAT101M35
R 1108(B,233,58)		RS1/16S0R0J	C 712 (A,189,105) CEAT101M10
R 1109(B,285,56)		RS1/16S0R0J	C 751 (A,159,143) FILM CAPACITOR CQ MBA104J50
R 1110(B,241,68)		RS1/16S0R0J	C 752 (A,181,150) FILM CAPACITOR CQ MBA104J50
<b>CAPACITORS</b>			C 755 (A,103,147) FILM CAPACITOR CQ MBA104J50
C 517 (A,82,154)	FILM CAPACITOR	CQ MBA104J50	C 761 (A,122,139) FILM CAPACITOR CQ MBA104J50
C 603 (B,94,39)		CKSRYB331K50	C 762 (A,152,145) FILM CAPACITOR CQ MBA104J50
C 604 (B,227,38)		CKSRYB331K50	C 771 (A,52,147) FILM CAPACITOR CQ MBA104J50
C 605 (A,96,38)		CEAT4R7M50	C 778 (B,84,34) CKSRYB331K50
C 606 (A,230,38)		CEAT4R7M50	C 779 (A,81,33) CEAT4R7M50
C 607 (B,95,20)		CCSRCH470J50	C 780 (B,88,18) CCSRCH470J50
C 608 (B,230,17)		CCSRCH470J50	C 781 (A,87,27) CEAT101M16
C 609 (A,91,32)		CEAT101M16	C 782 (B,107,27) CCSRCH470J50
C 610 (A,225,32)		CEAT101M16	C 783 (B,107,24) CCSRCH470J50
C 611 (B,117,22)		CCSRCH470J50	C 784 (A,105,49) CEANP2R2M50
C 612 (B,250,24)		CCSRCH470J50	C 801 (A,248,114) ELECT. CAPACITOR CEAT222M25
C 613 (B,117,27)		CCSRCH470J50	C 802 (A,249,100) ELECT. CAPACITOR CEAT222M25
C 614 (B,250,28)		CCSRCH470J50	C 806 (A,288,55) CEAT1R0M50
C 615 (A,116,45)		CEANP2R2M50	C 807 (B,226,95) CKSRYB103K25
C 616 (A,250,45)		CEANP2R2M50	C 808 (A,245,142) ELECT. CAPACITOR CEAT472M16
C 630 (A,172,44)		CEANP2R2M50	C 809 (A,234,95) CEAT101M10
C 632 (B,151,33)		CKSRYB331K50	C 810 (A,266,133) CEAT101M10
C 633 (A,148,33)		CEAT4R7M50	C 811 (B,279,128) CKSRYB103K25
C 634 (B,155,17)		CCSRCH470J50	C 812 (B,278,109) CKSRYB103K25
C 635 (A,153,25)		CEAT101M16	C 813 (A,276,118) CEAT101M16
C 636 (B,175,28)		CCSRCH470J50	
C 637 (B,175,24)		CCSRCH470J50	
C 653 (B,161,38)		CKSRYB331K50	
C 654 (B,217,33)		CKSRYB331K50	
C 655 (A,164,38)		CEAT4R7M50	
			<b>POWER PACK ASSY (XWZ4088)</b>
			<b>MISCELLANEOUS</b>
			△ IC 601 (A,265,14) POWER PACK 2CH STK412-230C

**Mark No. Description****Part No.****Mark No. Description****Part No.**

△ IC 602 (A,199,14) POWER PACK 2CH STK412-230C  
 △ IC 603 (A,132,14) POWER PACK 3CH STK413-230C  
 △ IC 610 (A,59,28) PROTECTOR(1A) AEK7009  
 IC 701 (A,100,75) IC PROTECTOR ICP-N10

△ D 701 (A,9,88) DIODE D5SBA20(B)  
 △ D 702 (A,9,126) DIODE D5SBA20(B)  
 D 703 (B,252,76) DIODE 1SS355  
 D 711 (A,196,103) ZENER DIODE MTZJ22D

IC 702 (A,84,81) IC PROTECTOR ICP-N10  
 △ IC 803 (A,238,87) IC TA7805S  
 △ IC 804 (A,282,111) REGULATOR IC TA7809S  
 △ IC 805 (B,271,135) IC BA178M05FP  
 Q 501 (B,85,42) CHIP TRANSISTOR 2SD2704K

D 712 (A,192,103) DIODE MTZJ6R8(B)  
 D 713 (A,120,78) DIODE 1SS133  
 D 751 (B,168,135) DIODE 1SS355  
 D 752 (B,170,135) DIODE 1SS355  
 D 753 (B,138,132) DIODE 1SS355

Q 505 (A,111,47) TRANSISTOR 2SC2240  
 Q 601 (B,93,47) CHIP TRANSISTOR 2SD2704K  
 Q 602 (B,227,45) CHIP TRANSISTOR 2SD2704K  
 Q 605 (A,118,40) TRANSISTOR 2SC2240  
 Q 606 (A,252,40) TRANSISTOR 2SC2240

D 754 (B,141,132) DIODE 1SS355  
 D 757 (B,70,136) DIODE 1SS355  
 D 758 (B,73,136) DIODE 1SS355  
 D 777 (A,127,57) DIODE 1SS133  
 D 778 (A,108,57) DIODE 1SS133

Q 631 (B,153,42) CHIP TRANSISTOR 2SD2704K  
 Q 633 (A,178,47) TRANSISTOR 2SC2240  
 Q 651 (B,161,45) CHIP TRANSISTOR 2SD2704K  
 Q 652 (B,219,42) CHIP TRANSISTOR 2SD2704K  
 Q 655 (A,186,40) TRANSISTOR 2SC2240

△ D 801 (B,221,113) BRIDGE DIODE S1WB(A)60SD  
 D 805 (A,276,131) DIODE 1SS133  
 D 806 (A,287,62) DIODE MTZJ6R2(B)  
 D 807 (A,284,67) DIODE 1SS133  
 D 827 (A,262,133) DIODE MTZJ6R2(B)

Q 656 (A,244,47) TRANSISTOR 2SC2240  
 Q 681 (B,72,63) CHIP TRANSISTOR 2SD2704K  
 Q 683 (A,59,65) TRANSISTOR 2SC2240  
 Q 696 (B,284,22) TRANSISTOR 2SC4081  
 Q 697 (B,282,26) TRANSISTOR 2SC4081

D 828 (A,239,98) DIODE MTZJ6R2(B)  
 △ D 829 (A,239,128) DIODE D3SBA20(B)  
 L 501 (A,97,118) COIL ATH1004  
 L 751 (A,160,108) COIL ATH1004  
 L 752 (A,173,108) COIL ATH1004

Q 698 (B,246,67) TRANSISTOR RT1N241M  
 △ Q 701 (A,110,75) TRANSISTOR 2SC5511  
 △ Q 702 (A,96,86) TRANSISTOR 2SA2005  
 Q 703 (A,155,76) TRANSISTOR 2SA1145  
 Q 704 (A,166,79) TRANSISTOR 2SC2240

L 753 (A,120,107) COIL ATH1004  
 L 754 (A,78,118) COIL ATH1004  
 L 761 (A,130,108) COIL ATH1004  
 L 762 (A,142,108) COIL ATH1004  
 J 43 JUMPER WIRE 11P D20PYY1120E

Q 705 (B,245,74) CHIP TRANSISTOR RN4903  
 Q 707 (B,241,74) CHIP TRANSISTOR RN4903  
 Q 721 (A,142,71) TRANSISTOR 2SA1145  
 Q 722 (A,161,74) TRANSISTOR 2SC2240  
 Q 801 (B,277,141) DIGITAL TR(SC-70) RT1P241M

KN601 (A,65,23) WRAPPING TERMINAL VNF1084  
 RY501 (A,75,132) RELAY XSR3012  
 RY751 (A,173,130) RELAY XSR3012  
 RY752 (A,141,126) RELAY XSR3012  
 RY753 (A,117,120) RELAY XSR3012

Q 802 (B,274,145) TRANSISTOR RT1N241M  
 Q 803 (B,265,140) DIGITAL TR(SC-70) RT1P241M  
 Q 804 (B,268,145) TRANSISTOR RT1N241M  
 Q 805 (B,277,146) DIGITAL TR(SC-70) RT1P241M  
 Q 806 (B,271,145) TRANSISTOR RT1N241M

CN604 (A,87,134) CONNECTOR CKS3373  
 CN701 (A,212,134) 11PJUMPER CONNECTOR 52147-1110  
 CN702 (A,201,106) 6P JUMPER CONNECTOR 52147-0610  
 CN705 (A,295,40) 21P PLUG XKM3011  
 CN751 SP TERMINAL 8-P(V0) XKE3042

Q 807 (B,276,53) CHIP TR(2\*PNP) RN2903  
 Q 808 (B,283,56) CHIP TRANSISTOR RN1903  
 Q 809 (A,266,101) TRANSISTOR 2SD1858X  
 D 601 (A,125,57) DIODE 1SS133  
 D 602 (A,267,17) ZENER DIODE MTZJ15A

CN752 SP TERMINAL 6-P(V0) XKE3043  
 CN803 (A,231,129) 6P PLUG KM200TA6  
 CN805 (A,317,153) 13P PLUG XKP3066  
 CN806 19P PLUG XKP3069  
 CN807 (A,317,82) 15P PLUG XKP3067

D 603 (A,119,57) DIODE 1SS133  
 D 604 (A,261,21) ZENER DIODE MTZJ15A  
 D 606 (A,259,57) DIODE 1SS133  
 D 608 (A,253,52) DIODE 1SS133  
 D 631 (A,192,61) DIODE 1SS133

CN812 (A,323,30) 15P PLUG XKP3067  
 CN813 (A,308,38) CONNECTOR CKS3390  
 CN815 (A,295,79) 23P PLUG XKM3006  
 CN816 (A,295,126) 21P PLUG XKM3011  
 810 (A,277,90) 11P CABLE HOLDER 51048-1100

D 632 (A,176,52) DIODE 1SS133  
 D 647 (A,200,17) ZENER DIODE MTZJ15A  
 D 648 (A,196,21) ZENER DIODE MTZJ15A  
 D 651 (A,192,57) DIODE 1SS133  
 D 652 (A,262,57) DIODE 1SS133

**RESISTORS**

R 601 (A,96,56) RD1/4PU222J  
 R 602 (A,230,52) RD1/4PU222J  
 R 603 (B,93,52) RS1/16S103J  
 R 604 (B,226,49) RS1/16S103J  
 R 609 (A,91,35) RD1/4PU273J

D 653 (A,186,52) DIODE 1SS133  
 D 654 (A,242,52) DIODE 1SS133  
 D 681 (A,132,17) ZENER DIODE MTZJ15A  
 D 682 (A,129,22) ZENER DIODE MTZJ15A  
 D 683 (A,135,58) DIODE 1SS133

R 610 (A,225,35) RD1/4PU273J  
 R 611 (A,90,28) RD1/4PU821J  
 R 612 (A,223,28) RD1/4PU821J  
 R 613 (A,114,21) RD1/4PU273J  
 R 614 (A,247,21) RD1/4PU273J

D 684 (A,65,72) DIODE 1SS133

5		6		7		8	
Mark No.	Description	Part No.	Mark No.	Description	Part No.		
R 615	(A,123,36)	RD1/4PU331J	R 698	(B,243,67)	RS1/16S333J		
R 616	(A,270,29)	RD1/4PU562J	R 699	(A,165,21)	RD1/4PU333J		
△ R 617	(A,114,31) RESISTOR (0.22, 5W)	ACN7094	R 701	(A,117,78)	RD1/4PU682J		A
R 618	(A,266,28)	RD1/4PU562J	R 702	(A,101,84)	RD1/4PU682J		
R 619	(A,122,52)	RD1/4PU182J	R 703	(A,151,72)	RD1/4PU683J		
R 620	(A,257,36)	RD1/4PU331J	R 704	(A,147,76)	RD1/4PU683J		
R 621	(A,124,49)	RD1/4PU821J	R 705	(A,283,85)	RD1/4PU473J		
△ R 622	(A,248,31) RESISTOR (0.22, 5W)	ACN7094	R 706	(A,283,75)	RD1/4PU473J		
R 623	(A,116,48)	RD1/4PU223J	R 707	(A,135,77)	RD1/4PU124J		
R 624	(A,257,52)	RD1/4PU182J	R 708	(A,147,81)	RD1/4PU124J		
R 626	(A,258,49)	RD1/4PU821J	△ R 711	(A,181,86) METAL OXIDE RESISTOR	RS2LMF222J		
R 628	(A,250,48)	RD1/4PU223J	R 713	(A,117,81)	RD1/4PU102J		
R 630	(A,230,21)	RD1/4PU333J	R 714	(B,252,68)	RS1/16S102J		
R 631	(A,148,46)	RD1/4PU222J	R 715	(B,250,75)	RS1/16S103J		B
R 632	(B,152,47)	RS1/16S103J	R 716	(B,247,75)	RS1/16S103J		
R 635	(A,153,29)	RD1/4PU273J	R 721	(A,125,77)	RD1/4PU822J		
R 636	(A,149,25)	RD1/4PU821J	R 722	(A,123,77)	RD1/4PU822J		
R 637	(A,172,21)	RD1/4PU273J	R 723	(A,276,78)	RD1/4PU473J		
R 638	(A,174,36)	RD1/4PU331J	R 724	(A,279,83)	RD1/4PU473J		
△ R 639	(A,173,31) RESISTOR (0.22, 5W)	ACN7094	R 725	(A,276,74)	RD1/4PU103J		
R 640	(A,179,57)	RD1/4PU182J	R 726	(B,291,59)	RS1/16S103J		
R 641	(A,174,52)	RD1/4PU821J	R 727	(B,287,59)	RS1/16S103J		
R 642	(A,169,39)	RD1/4PU223J	△ R 751	(A,158,119) CARBON FILM RESISTOR	RD1/4PUF101J		
R 647	(A,202,27)	RD1/4PU562J	△ R 752	(A,185,120) CARBON FILM RESISTOR	RD1/4PUF101J		
R 648	(A,199,27)	RD1/4PU562J	△ R 753	(A,156,126) METAL OXIDE RESISTOR	RS1LMF4R7J		C
R 651	(A,164,56)	RD1/4PU222J	△ R 754	(A,181,126) METAL OXIDE RESISTOR	RS1LMF4R7J		
R 652	(A,215,41)	RD1/4PU222J	△ R 755	(A,103,117) CARBON FILM RESISTOR	RD1/4PUF101J		
R 653	(B,160,50)	RS1/16S103J	△ R 756	(A,101,120) METAL OXIDE RESISTOR	RS1LMF4R7J		
R 654	(B,219,46)	RS1/16S103J	△ R 761	(A,125,117) CARBON FILM RESISTOR	RD1/4PUF101J		
R 659	(A,159,35)	RD1/4PU273J	△ R 762	(A,155,119) CARBON FILM RESISTOR	RD1/4PUF101J		
R 660	(A,220,29)	RD1/4PU273J	△ R 763	(A,124,132) METAL OXIDE RESISTOR	RS1LMF4R7J		
R 661	(A,156,28)	RD1/4PU821J	△ R 764	(A,149,139) METAL OXIDE RESISTOR	RS1LMF4R7J		
R 662	(A,216,20)	RD1/4PU821J	△ R 771	(A,63,144) METAL OXIDE RESISTOR	RS1LMF4R7J		
R 663	(A,181,21)	RD1/4PU273J	△ R 772	(A,63,127) CARBON FILM RESISTOR	RD1/4PUF101J		
R 664	(A,238,21)	RD1/4PU273J	R 777	(A,81,41)	RD1/4PU222J		
R 665	(A,190,36)	RD1/4PU331J	R 778	(B,84,48)	RS1/16S103J		
R 666	(A,240,35)	RD1/4PU331J	R 781	(A,87,30)	RD1/4PU273J		
△ R 667	(A,182,31) RESISTOR (0.22, 5W)	ACN7094	R 782	(A,84,22)	RD1/4PU821J		
△ R 668	(A,239,31) RESISTOR (0.22, 5W)	ACN7094	R 783	(A,104,21)	RD1/4PU273J		
R 669	(A,189,52)	RD1/4PU182J	R 784	(A,111,35)	RD1/4PU331J		
R 670	(A,245,52)	RD1/4PU182J	△ R 785	(A,105,31) RESISTOR (0.22, 5W)	ACN7094		
R 671	(A,192,49)	RD1/4PU821J	R 786	(A,111,57)	RD1/4PU182J		
R 672	(A,240,57)	RD1/4PU821J	R 787	(A,106,57)	RD1/4PU821J		
R 673	(A,184,48)	RD1/4PU223J	R 788	(A,102,38)	RD1/4PU223J		
R 674	(A,236,38)	RD1/4PU223J	R 789	(A,82,127) CARBON FILM RESISTOR	RD1/4PUF101J		
R 681	(A,66,63)	RD1/4PU222J	△ R 790	(A,80,145) METAL OXIDE RESISTOR	RS1LMF4R7J		E
R 682	(B,76,63)	RS1/16S103J	R 806	(B,283,48)	RS1/16S103J		
R 685	(A,77,41)	RD1/4PU273J	R 807	(B,278,48)	RS1/16S103J		
R 686	(A,78,35)	RD1/4PU821J	R 808	(B,283,52)	RS1/16S102J		
R 687	(A,83,10)	RD1/4PU273J	R 809	(B,261,105)	RS1/16S122J		
R 688	(A,135,27)	RD1/4PU562J	R 810	(B,264,105)	RS1/16S271J		
R 689	(A,133,27)	RD1/4PU562J	R 885	(B,310,57)	RS1/16S221J		
R 690	(A,60,52)	RD1/4PU331J	R 886	(B,310,61)	RS1/16S221J		
△ R 691	(A,55,55) RESISTOR (0.22, 5W)	ACN7094	R 887	(B,310,65)	RS1/16S221J		
R 692	(A,70,72)	RD1/4PU182J	R 888	(B,315,22)	RS1/16S221J		
R 693	(A,67,77)	RD1/4PU821J	R 1101	(B,273,68)	RS1/16S0R0J		
R 694	(A,62,72)	RD1/4PU223J	R 1102	(B,274,61)	RS1/16S0R0J		
R 695	(A,97,22)	RD1/4PU333J	R 1106	(B,146,53)	RS1/16S0R0J		F
R 696	(B,281,38)	RS1/16S103J	R 1107	(B,211,58)	RS1/16S0R0J		
R 697	(B,255,68)	RS1/16S103J	R 1108	(B,233,58)	RS1/16S0R0J		

**Mark No. Description****Part No.**

R 1109(B,285,56)  
R 1110(B,241,68)

RS1/16S0R0J  
RS1/16S0R0J

**CAPACITORS**

C 517 (A,82,154) FILM CAPACITOR  
C 521 (A,120,164) FILM CAPACITOR  
C 603 (B,94,39)  
C 604 (B,227,38)  
C 605 (A,96,38)

CQMBA224J50  
CQMBA123J50  
CKSRYB331K50  
CKSRYB331K50  
CEAT4R7M50

C 606 (A,230,38)  
C 607 (B,95,20)  
C 608 (B,230,17)  
C 609 (A,91,32)  
C 610 (A,225,32)

CEAT4R7M50  
CCSRCH470J50  
CCSRCH470J50  
CEAT101M16  
CEAT101M16

C 611 (B,117,22)  
C 612 (B,250,24)  
C 613 (B,117,27)  
C 614 (B,250,28)  
C 615 (A,116,45)

CCSRCH470J50  
CCSRCH470J50  
CCSRCH470J50  
CCSRCH470J50  
CEANP2R2M50

C 616 (A,250,45)  
C 630 (A,172,44)  
C 632 (B,151,33)  
C 633 (A,148,33)  
C 634 (B,155,17)

CEANP2R2M50  
CEANP2R2M50  
CKSRYB331K50  
CEAT4R7M50  
CCSRCH470J50

C 635 (A,153,25)  
C 636 (B,175,28)  
C 637 (B,175,24)  
C 653 (B,161,38)  
C 654 (B,217,33)

CEAT101M16  
CCSRCH470J50  
CCSRCH470J50  
CKSRYB331K50  
CKSRYB331K50

C 655 (A,164,38)  
C 656 (A,215,33)  
C 657 (B,165,17)  
C 658 (B,221,17)  
C 659 (A,158,31)

CEAT4R7M50  
CEAT4R7M50  
CCSRCH470J50  
CCSRCH470J50  
CEAT101M16

C 660 (A,219,25)  
C 661 (B,184,23)  
C 662 (B,241,27)  
C 663 (B,184,27)  
C 664 (B,241,24)

CEAT101M16  
CCSRCH470J50  
CCSRCH470J50  
CCSRCH470J50  
CCSRCH470J50

C 665 (A,184,45)  
C 666 (A,239,49)  
C 682 (B,74,48)  
C 683 (A,74,50)  
C 684 (B,82,18)

CEANP2R2M50  
CEANP2R2M50  
CKSRYB331K50  
CEAT4R7M50  
CCSRCH470J50

C 685 (A,78,38)  
C 686 (B,92,9)  
C 687 (B,87,8)  
C 688 (A,75,78)  
C 696 (B,281,35)

CEAT101M16  
CCSRCH470J50  
CCSRCH470J50  
CEANP2R2M50  
CKSRYB102K50

C 697 (A,286,34)  
C 701 (A,49,80) ELECT.CAPACITOR  
C 702 (A,49,107) ELECT.CAPACITOR  
C 703 (A,43,130) ELECT.CAPACITOR  
C 704 (A,38,150) ELECT.CAPACITOR

CEAT221M6R3  
XCH3026  
XCH3026  
XCH3012  
XCH3012

C 705 (A,156,81) ELECT. CAPACITOR  
C 706 (A,143,84) ELECT. CAPACITOR  
C 707 (A,17,99) MYLAR FILM CAPACITOR  
C 708 (A,16,137) MYLAR FILM CAPACITOR  
C 709 (A,257,73)

CEAT100M2A  
CEAT100M2A  
CQMA103K2E  
CQMA103K2E  
CEAT1R0M50

**Mark No. Description****Part No.**

C 711 (A,195,99) ELECT. CAPACITOR  
C 712 (A,189,105)  
C 751 (A,159,143) FILM CAPACITOR  
C 752 (A,181,150) FILM CAPACITOR  
C 753 (A,157,155) FILM CAPACITOR

CEAT101M35  
CEAT101M10  
CQMBA224J50  
CQMBA224J50  
CQMBA224J50

C 754 (A,181,158) FILM CAPACITOR  
C 755 (A,103,147) FILM CAPACITOR  
C 756 (A,96,151) FILM CAPACITOR  
C 757 (A,157,164) FILM CAPACITOR  
C 758 (A,177,164) FILM CAPACITOR

CQMBA224J50  
CQMBA224J50  
CQMBA224J50  
CQMBA123J50  
CQMBA123J50

C 759 (A,101,164) FILM CAPACITOR  
C 761 (A,122,139) FILM CAPACITOR  
C 762 (A,152,145) FILM CAPACITOR  
C 763 (A,122,146) FILM CAPACITOR  
C 764 (A,150,152) FILM CAPACITOR

CQMBA123J50  
CQMBA224J50  
CQMBA224J50  
CQMBA224J50  
CQMBA224J50

C 765 (A,63,164) FILM CAPACITOR  
C 766 (A,82,164) FILM CAPACITOR  
C 771 (A,52,147) FILM CAPACITOR  
C 772 (A,52,156) FILM CAPACITOR  
C 773 (A,138,164) FILM CAPACITOR

CQMBA123J50  
CQMBA123J50  
CQMBA224J50  
CQMBA224J50  
CQMBA123J50

C 778 (B,84,34)  
C 779 (A,81,33)  
C 780 (B,88,18)  
C 781 (A,87,27)  
C 782 (B,107,27)

CKSRYB331K50  
CEAT4R7M50  
CCSRCH470J50  
CEAT101M16  
CCSRCH470J50

C 783 (B,107,24)  
C 784 (A,105,49)  
C 785 (A,89,146) FILM CAPACITOR  
C 801 (A,248,114) ELECT. CAPACITOR  
C 802 (A,249,100) ELECT. CAPACITOR

CCSRCH470J50  
CEANP2R2M50  
CQMBA224J50  
CEAT222M25  
CEAT222M25

C 806 (A,288,55)  
C 807 (B,226,95)  
C 808 (A,245,142) ELECT. CAPACITOR  
C 809 (A,234,95)  
C 810 (A,266,133)

CEAT1R0M50  
CKSRYB103K25  
CEAT472M16  
CEAT101M10  
CEAT101M10

C 811 (B,279,128)  
C 812 (B,278,109)  
C 813 (A,276,118)

CKSRYB103K25  
CKSRYB103K25  
CEAT101M16

**D TRANS2 ASSY  
MISCELLANEOUS**

△ IC 853 (A,32,204) PROTECTOR(5A) AEK7019  
J 21 JUMPER WIRE 11P D20PPY1130E  
CN1201(A,35,183) 4P JUMPER CONNECTOR 52147-0410  
851 (A,49,207) 11P CABLE HOLDER 51048-1100

**E TRANS3 ASSY**

TRANS3 ASSY has no service part.

**F COMPONENT ASSY  
MISCELLANEOUS**

IC 551 (B,235,206) LOGIC IC TC74HC4052AF  
IC 552 (B,256,212) LOGIC IC TC74HC4052AF  
IC 553 (B,209,204) VIDEO IC NJM2581M  
JA551 (A,249,176) 6P RCA PINJACK XKB3025  
JA552 (A,207,176) 6P RCA PINJACK XKB3025  
CN551 (A,192,206) CONNECTOR CKS3372

5	6	
Mark No.	Description	Part No.

**RESISTORS**

R 553 (B,237,192)	RS1/16S750J
R 554 (B,251,191)	RS1/16S750J
R 555 (B,265,191)	RS1/16S750J
R 556 (B,232,192)	RS1/16S750J
R 557 (B,246,194)	RS1/16S750J
R 558 (B,262,184)	RS1/16S750J
R 559 (B,195,194)	RS1/16S750J
R 560 (B,216,193)	RS1/16S750J
R 561 (B,223,191)	RS1/16S750J
R 562 (B,189,193)	RS1/16S750J
R 563 (B,212,197)	RS1/16S750J
R 564 (B,214,193)	RS1/16S750J
R 566 (B,238,216)	RS1/16S102J
R 567 (B,243,200)	RS1/16S102J
R 568 (B,243,202)	RS1/16S102J
R 569 (B,246,216)	RS1/16S102J
R 571 (B,250,226)	RS1/16S102J
R 572 (B,250,224)	RS1/16S102J
R 573 (B,224,201)	RS1/16S0R0J
R 574 (B,260,200)	RS1/16S0R0J
R 575 (B,244,234)	RS1/16S0R0J
R 577 (B,202,212)	RS1/16S103J
R 578 (B,204,212)	RS1/16S103J
R 579 (B,213,212)	RS1/16S103J
R 581 (B,242,207)	RS1/16S222J
R 582 (A,240,219)	RD1/4PU222J

**CAPACITORS**

C 567 (B,257,184)	CKSRYB103K50
C 568 (B,200,184)	CKSRYB103K50
C 569 (B,241,214)	CKSRYB473K50
C 570 (B,229,206)	CKSRYB473K50
C 571 (B,249,211)	CKSRYB473K50
C 572 (B,263,212)	CKSRYB473K50
C 576 (B,206,212)	CKSRYB103K50
C 577 (B,209,212)	CKSRYB103K50
C 578 (B,211,212)	CKSRYB103K50
C 579 (A,200,203)	CEAT101M16
C 580 (A,195,203)	CEAT101M16
C 581 (B,206,197)	CKSRYB103K50
C 582 (B,208,197)	CKSRYB103K50
C 583 (B,210,197)	CKSRYB103K50

**G HEAD PHONE ASSY  
MISCELLANEOUS**

Q 1551(B,78,211) CHIP TRANSISTOR	2SD2704K
Q 1552(B,102,219) CHIP TRANSISTOR	2SD2704K
J 47 JUMPER WIRE	D20PY0640E
JA1551(A,117,233) HEADPHONE JACK	RKB1014
KN1551(A,69,231) WRAPPING TERMINAL	VNF1084
1551(A,59,220) 6P CABLE HOLDER	51048-0600

**RESISTORS**

△ R 1551(A,84,202) METAL OXIDE RESISTOR	RS2LMF331J
△ R 1552(A,78,203) METAL OXIDE RESISTOR	RS2LMF331J
△ R 1553(A,108,221) METAL OXIDE RESISTOR	RS1LMF151J
△ R 1554(A,93,216) METAL OXIDE RESISTOR	RS1LMF151J
R 1555(B,100,216)	RS1/16S472J

7	8	
Mark No.	Description	Part No.

R 1556(B,81,210)	RS1/16S472J
R 1557(B,87,228)	RS1/16S102J

**CAPACITORS**

C 1551(B,94,226)	CKSRYB223K50
C 1552(B,83,210)	CKSRYB223K50
C 1553(B,110,224)	CKSRYB103K50
C 1554(B,110,226)	CCSRCH471J50
C 1555(B,110,229)	CKSRYB104K16
C 1556(B,112,239)	CKSRYB103K50
C 1557(B,109,239)	CCSRCH471J50
C 1558(B,107,239)	CKSRYB104K16
C 1561(A,69,205) ELECT. CAPACITOR	CEANP470M50
C 1562(A,71,223) ELECT. CAPACITOR	CEANP470M50

**H PRE-OUT ASSY**

**MISCELLANEOUS**

CN1575(A,282,211) CONNECTOR	CKS3373
CN1576(A,318,176) PIN JACK 1-P	AKB7042
1575(A,290,176) PIN JACK(6P)	XKB3033

**RESISTORS**

R 1575(B,301,198)	RS1/16S223J
R 1576(B,302,194)	RS1/16S202J
R 1577(B,293,194)	RS1/16S202J
R 1578(B,286,194)	RS1/16S202J
R 1579(B,294,198)	RS1/16S223J
R 1580(B,287,197)	RS1/16S223J
R 1581(B,308,198)	RS1/16S223J
R 1582(B,316,194)	RS1/16S202J
R 1583(B,279,194)	RS1/16S202J
R 1584(B,275,194)	RS1/16S202J
R 1585(B,281,198)	RS1/16S223J
R 1586(B,274,198)	RS1/16S223J
R 1587(B,307,194)	RS1/16S202J
R 1588(B,317,197)	RS1/16S223J

**CAPACITORS**

C 1581(B,283,184)	CKSRYB103K50
-------------------	--------------

**I 5.1CH INPUT ASSY  
MISCELLANEOUS**

CN307 (A,125,219) 7P CONNECTOR	52044-0745
CN309 (A,167,225) PIN JACK(4P)	XKB3035

**RESISTORS**

R 1001(B,147,233)	RS1/16S473J
R 1002(B,150,226)	RS1/16S473J
R 1003(B,149,236)	RS1/16S331J
R 1004(B,150,228)	RS1/16S331J
R 1009(B,150,224)	RS1/16S473J
R 1010(B,151,212)	RS1/16S473J
R 1011(B,150,222)	RS1/16S331J
R 1012(B,150,214)	RS1/16S331J

**CAPACITORS**

C 1001(B,151,233)	CCSRCH101J50
C 1002(B,151,230)	CCSRCH101J50
C 1003(B,143,233)	CKSRYB221K50
C 1004(B,147,230)	CKSRYB221K50
C 1009(A,146,236)	CEAT4R7M50

Mark No.	Description	Part No.	Mark No.	Description	Part No.
C 1010(A,146,228)		CEAT4R7M50	R 409 (B,75,176)		RS1/16S473J
C 1012(B,159,226)		CKSRYB103K50	R 410 (B,73,176)		RS1/16S473J
C 1013(B,151,219)		CCSRCH101J50			
C 1014(B,151,216)		CCSRCH101J50	R 411 (B,229,189)		RS1/16S473J
C 1015(B,147,224)		CKSRYB221K50	R 412 (B,234,187)		RS1/16S221J
			R 413 (B,234,184)		RS1/16S221J
C 1016(B,147,216)		CKSRYB221K50	R 414 (B,234,182)		RS1/16S221J
C 1021(A,146,214)		CEAT4R7M50	R 415 (B,234,180)		RS1/16S221J
C 1022(A,146,221)		CEAT4R7M50			

## **K** FRONT DISPLAY MISCELLANEOUS

IC 401 (B,121,181) DISPLAY U-COM	PE5550A		R 425 (B,213,182)		RS1/16S104J
IC 402 (A,223,169) REMOTE RECEIVER UNIT	GP1UM27XK0VF		R 451 (B,236,144)		RS1/16S472J
Q 441 (B,230,161) TRANSISTOR	RT1N241M		R 452 (B,234,144)		RS1/16S681J
Q 442 (B,238,190) TRANSISTOR	RT1N241M		R 453 (B,187,147)		RS1/16S821J
Q 484 (B,217,189) TRANSISTOR	2SA1576A		R 454 (B,166,153)		RS1/16S122J
D 401 (B,239,163) DIODE	DAN202K		R 455 (A,45,146)		RD1/4PU681J
D 403 (B,226,189) DIODE	1SS355		R 456 (A,35,144)		RD1/4PU821J
D 404 (B,230,176) DIODE	1SS355		R 457 (A,16,139)		RD1/4PU122J
D 405 (B,230,156) DIODE	1SS355		R 459 (A,109,134)		RD1/4PU472J
D 500 (A,210,182) LED(ORANGE)	SLI-343DCW		R 460 (A,101,135)		RD1/4PU681J
D 502 (A,130,160) LED(BLUE)	SLR-343BBT				
L 401 (A,242,159) RADIAL INDUCTOR	LFCA2R2J		R 461 (B,52,117)		RS1/16S821J
V 401 (A,189,200) FL TUBE	XAV3025		R 462 (B,49,117)		RS1/16S122J
S 451 (A,234,139) SWITCH	VSG1024		R 463 (B,34,117)		RS1/16S162J
S 452 (A,213,136) SWITCH	VSG1024		R 464 (B,20,117)		RS1/16S272J
			R 465 (A,161,128)		RD1/4PU472J
S 453 (A,187,134) SWITCH	VSG1024				
S 454 (A,70,134) SWITCH	VSG1024		R 466 (A,151,128)		RD1/4PU681J
S 455 (A,46,134) SWITCH	VSG1024		R 467 (A,131,128)		RD1/4PU821J
S 456 (A,23,134) SWITCH	VSG1024		R 468 (B,79,91)		RS1/16S122J
S 458 (A,13,112) SWITCH	VSG1024		R 469 (B,64,91)		RS1/16S162J
			R 470 (B,50,92)		RS1/16S272J
S 459 (A,114,136) SWITCH	VSG1024				
S 460 (A,91,136) SWITCH	VSG1024		R 471 (B,34,91)		RS1/16S512J
S 461 (A,57,112) SWITCH	VSG1024		R 472 (B,86,176)		RS1/16S472J
S 462 (A,42,112) SWITCH	VSG1024		R 473 (B,19,91)		RS1/16S133J
S 463 (A,27,112) SWITCH	VSG1024		R 481 (B,169,204)		RS1/16S473J
			R 482 (B,167,204)		RS1/16S473J
S 464 (A,164,134) SWITCH	VSG1024				
S 465 (A,140,134) SWITCH	VSG1024		R 483 (B,165,204)		RS1/16S473J
S 466 (A,86,90) SWITCH	VSG1024		R 484 (B,163,204)		RS1/16S473J
S 467 (A,72,90) SWITCH	VSG1024		R 485 (B,161,204)		RS1/16S473J
S 468 (A,57,90) SWITCH	VSG1024		R 486 (B,159,204)		RS1/16S473J
			R 487 (B,157,204)		RS1/16S473J
S 469 (A,42,90) SWITCH	VSG1024				
S 470 (A,27,90) SWITCH	VSG1024		R 488 (B,155,204)		RS1/16S473J
S 471 (A,13,90) SWITCH	VSG1024		R 489 (B,153,204)		RS1/16S473J
X 401 (A,149,165) CERAMIC RESONATOR (5.00 MHz)	VSS1142		R 490 (B,151,204)		RS1/16S473J
CN401 (A,246,165) 17P CONNECTOR	52044-1745		R 492 (B,121,204)		RS1/16S104J
			R 493 (B,119,204)		RS1/16S104J
471 (A,35,176) CABLE HOLDER(3P)	51063-0305		R 494 (B,117,204)		RS1/16S104J
404 (A,197,127) CABLE HOLDER(7P)	51063-0705		R 495 (B,115,204)		RS1/16S104J
402 FL HOLDER(FE)	VNF1096		R 496 (B,113,204)		RS1/16S104J
			R 497 (B,111,204)		RS1/16S104J
			R 498 (B,109,204)		RS1/16S104J

## **RESISTORS**

R 401 (B,144,169)	RS1/16S105J		R 499 (B,107,204)		RS1/16S104J
R 402 (B,223,189)	RS1/16S104J		R 500 (B,105,204)		RS1/16S104J
R 403 (B,220,189)	RS1/16S104J		R 517 (B,149,204)		RS1/16S473J
R 404 (B,221,178)	RS1/16S472J		R 518 (B,147,204)		RS1/16S473J
R 405 (B,228,155)	RS1/16S102J		R 519 (B,145,204)		RS1/16S473J
R 406 (B,226,155)	RS1/16S103J				
R 407 (B,78,176)	RS1/16S473J		R 520 (B,103,204)		RS1/16S104J
R 408 (B,80,176)	RS1/16S473J		R 521 (B,101,204)		RS1/16S104J
			R 522 (B,99,204)		RS1/16S104J

5	6	7	8
Mark No.	Description	Part No.	Mark No. Description Part No.
R 523 (B,97,204)	RS1/16S104J	S 502 (A,20,221) SWITCH	VSG1024
R 524 (B,95,204)	RS1/16S104J	S 503 (A,32,218) SWITCH	VSG1024
R 525 (B,93,204)	RS1/16S104J	S 504 (A,47,218) SWITCH	VSG1024
R 526 (B,91,204)	RS1/16S104J	501 (A,47,210) CABLE HOLDER(3P)	51063-0305
R 527 (B,89,204)	RS1/16S104J		
R 528 (B,87,204)	RS1/16S104J		
R 529 (B,85,204)	RS1/16S104J		
R 530 (B,83,204)	RS1/16S104J		
R 531 (B,81,204)	RS1/16S104J		
R 532 (B,79,204)	RS1/16S104J		
R 533 (B,77,204)	RS1/16S104J		
R 534 (B,75,204)	RS1/16S104J		
R 550 (B,204,185)	RS1/16S181J		
R 551 (B,125,156)	RS1/16S391J		

**CAPACITORS**

C 401 (B,247,155)	CKSRYB103K50
C 402 (B,247,153)	CKSRYB103K50
C 403 (A,234,168)	CEAT221M6R3
C 410 (B,49,186)	CKSRYB103K50
C 411 (B,51,186)	CKSRYB103K50
C 412 (A,42,178)	CEAT470M50
C 418 (B,141,179)	CKSRYB104K16
C 419 (B,103,182)	CKSRYB103K50
C 420 (A,39,185) ELECT. CAPACITOR	CEAT101M35
C 421 (B,160,169)	CKSRYB104K16
C 441 (B,223,176)	CKSRYB103K50
C 442 (A,239,146)	CEAL470M10
C 451 (B,125,166)	CKSRYB102K50
C 452 (B,103,164)	CKSRYB102K50
C 453 (B,122,166)	CKSRYB102K50
C 454 (B,100,164)	CKSRYB102K50
C 481 (B,140,191)	CCSRCH471J50
C 482 (B,126,201)	CCSRCH221J50
C 483 (B,126,199)	CCSRCH221J50
C 487 (B,83,163)	CKSRYB102K50
C 488 (B,79,163)	CKSRYB102K50
C 489 (B,75,163)	CKSRYB102K50
C 490 (A,241,34)	CKSRYB102K50

**L R.ENCODER ASSY MISCELLANEOUS**

S 457 (A,300,183) SWITCH	VSG1024
S 512 (A,288,223) ROTARY ENCODER (JOG)	XSX3008
S 513 (A,288,152) ROTARY ENCODER	XSX3005
S 514 (A,257,216) SWITCH	VSG1024
S 515 (A,270,183) SWITCH	VSG1024
S 516 (A,285,183) SWITCH	VSG1024
511 (A,257,172) CABLE HOLDER(7P)	51063-0705

**RESISTORS**

R 513 (B,270,190)	RS1/16S162J
R 514 (B,280,185)	RS1/16S272J
R 515 (B,295,185)	RS1/16S512J

**M POWER KEY ASSY MISCELLANEOUS**

D 501 (A,13,182) LED(BLUE)	SLR-343BBT
S 501 (A,12,174) SWITCH	VSG1024

**N S. VIDEO ASSY MISCELLANEOUS**

IC 351 (B,149,59) VIDEO SW IC	NJM2595M
IC 352 (B,149,21) VIDEO SW IC	NJM2595M
IC 1101(B,194,37) VIDEO AMP IC	TK15420M
IC 1102(B,186,72) VIDEO SW IC	NJM2243M
IC 1103(B,211,72) VIDEO SW IC	NJM2243M
D 351 (B,170,34) DIODE	1SS355
D 352 (B,167,34) DIODE	1SS355
D 353 (B,164,65) DIODE	1SS355
D 354 (B,166,65) DIODE	1SS355
D 357 (B,154,39) DIODE	1SS355
D 358 (B,142,67) DIODE	1SS355
D 361 (B,184,78) DIODE	1SS355
D 362 (B,207,76) DIODE	1SS355
CN351 (A,220,42) 11PJUMPER CONNECTOR	52147-1110
CN352 (A,111,57) SOCKET	XKB3051
CN353 (A,111,29) SOCKET	XKB3051
CN354 (A,177,33) CONNECTOR POST	B5B-PH
CN355 (A,111,78) SOCKET	AKP7179

**RESISTORS**

R 351 (B,125,12)	RS1/16S750J
R 352 (B,129,13)	RS1/16S750J
R 353 (B,125,31)	RS1/16S750J
R 354 (B,129,27)	RS1/16S750J
R 355 (B,125,42)	RS1/16S750J
R 356 (B,128,45)	RS1/16S750J
R 357 (B,161,54)	RS1/16S102J
R 358 (B,167,61)	RS1/16S102J
R 359 (B,165,61)	RS1/16S151J
R 360 (B,172,61)	RS1/16S102J
R 361 (B,164,69)	RS1/16S102J
R 362 (B,170,61)	RS1/16S102J
R 363 (B,169,29)	RS1/16S102J
R 364 (B,166,29)	RS1/16S102J
R 365 (B,162,29)	RS1/16S102J
R 366 (B,164,29)	RS1/16S151J
R 367 (B,171,29)	RS1/16S102J
R 368 (B,162,36)	RS1/16S102J
R 369 (B,160,36)	RS1/16S750J
R 370 (B,150,71)	RS1/16S750J
R 371 (B,145,29)	RS1/16S750J
R 372 (B,145,69)	RS1/16S750J
R 375 (B,133,12)	RS1/16S101J
R 376 (B,129,17)	RS1/16S101J
R 377 (B,132,23)	RS1/16S101J
R 378 (B,130,30)	RS1/16S101J
R 379 (B,135,39)	RS1/16S101J

**Mark No. Description****Part No.**

R 380 (B,128,49)	RS1/16S101J
R 381 (B,129,56)	RS1/16S0R0J
R 382 (B,131,62)	RS1/16S0R0J
R 385 (B,165,35)	RS1/16S0R0J
R 386 (B,162,61)	RS1/16S0R0J
R 1103(B,182,44)	RS1/16S103J
R 1104(B,194,30)	RS1/16S103J
R 1105(B,188,33)	RS1/16S0R0J

R 1106(B,188,39)	RS1/16S0R0J
R 1109(B,188,45)	RS1/16S0R0J
R 1111(B,178,77)	RS1/16S750J
R 1112(B,140,78)	RS1/16S750J
R 1113(B,132,82)	RS1/16S103J

R 1114(B,134,78)	RS1/16S103J
R 1122(B,200,69)	RS1/16S102J
R 1123(B,203,69)	RS1/16S102J
R 1124(B,180,67)	RS1/16S0R0J
R 1125(B,180,69)	RS1/16S0R0J

**CAPACITORS**

C 351 (B,160,22)	CKSRYB104K25
C 352 (A,123,7)	CEAT470M25
C 353 (B,127,20)	CKSRYB104K25
C 354 (B,144,11)	CKSRYB104K25
C 355 (A,132,20)	CEAT470M25

C 356 (B,126,38)	CKSRYB104K25
C 357 (B,157,65)	CKSRYB104K25
C 358 (A,131,35)	CEAT470M25
C 359 (B,126,54)	CKSRYB104K25
C 361 (A,141,10) ELECT. CAPACITOR	CEAT470M25

C 362 (A,157,26)	CEAT470M25
C 363 (A,157,68)	CEAT470M25
C 366 (A,145,46)	CEAT470M25
C 367 (B,142,52)	CKSRYB104K25
C 368 (B,126,58)	CKSRYB221K50

C 369 (B,129,62)	CKSRYB221K50
C 370 (B,157,36)	CKSRYB221K50
C 371 (B,158,72)	CKSRYB221K50
C 372 (B,121,57)	CKSRYB103K50
C 373 (B,120,29)	CKSRYB103K50

C 375 (B,167,17)	CCSRCH470J50
C 376 (B,163,54)	CCSRCH470J50
C 381 (B,137,11)	CCSRCH470J50
C 382 (B,132,16)	CCSRCH470J50
C 383 (B,134,19)	CCSRCH470J50

C 384 (B,135,28)	CCSRCH470J50
C 385 (B,135,37)	CCSRCH470J50
C 386 (B,132,44)	CCSRCH470J50
C 1101(B,197,37)	CKSRYB473K25
C 1102(B,199,41)	CKSRYB473K25

C 1103(A,202,30)	CEAT101M16
C 1104(A,203,42)	CEAT101M16
C 1107(A,193,47)	CEAT101M16
C 1109(B,195,76)	CKSRYB473K25
C 1110(B,220,76)	CKSRYB473K25

C 1111(A,192,73)	CEAT101M16
C 1112(A,217,79)	CEAT101M16
C 1113(B,181,78)	CKSRYB104K25
C 1114(B,210,79)	CKSRYB104K25
C 1115(A,179,74) ELECT. CAPACITOR	CEAT102M10

**Mark No. Description****Part No.**

C 1116(B,137,78)	CKSRYB104K25
C 1117(B,134,82)	CCSRCH181J50
C 1118(B,137,82)	CCSRCH181J50
C 1130(B,212,51)	CKSRYB104K25
C 1131(A,176,18)	CEAT101M16
C 1132(B,217,68)	CKSRYB104K25

**O TRANS4 ASSY****MISCELLANEOUS**

⚠ IC 891 (A,104,223) PROTECTOR(800MA)	AEK7008
⚠ IC 892 (A,77,232) PROTECTOR(800MA)	AEK7008
⚠ D 891 (B,91,226) BRIDGE DIODE	S1WB(A)60SD
J 22 JUMPER WIRE	D20PPY0330E
891 (A,70,221) 3P CABLE HOLDER	51048-0300

**CAPACITORS**

C 891 (A,97,218) ELECT. CAPACITOR	CEAT471M35
C 892 (A,86,218) ELECT. CAPACITOR	CEAT471M35

**P REGULATOR ASSY****MISCELLANEOUS**

⚠ IC 801 (A,161,89) REGULATOR IC	TA7812S
⚠ IC 802 (A,178,89) REGULATOR IC	TA79012S
⚠ IC 807 (A,212,89) IC	TA7805S
D 813 (A,201,94) ZENER DIODE	MTZJ6.2B
CN800 (A,194,113) 11PJUMPER CONNECTOR	52147-1110

**RESISTORS**

⚠ R 801 (A,152,97) METAL OXIDE RESISTOR	RS3LMF331J
⚠ R 802 (A,212,98) METAL OXIDE RESISTOR	RS2LMF221J
R 819 (B,209,97)	RS1/16S0R0J

**CAPACITORS**

C 803 (B,164,98)	CKSRYB103K25
C 804 (B,180,98)	CKSRYB103K25
C 805 (A,152,103)	CEJQ101M16
C 806 (A,173,100)	CEAT101M16
C 816 (A,206,96)	CEAT101M10
C 817 (B,216,98)	CKSRYB103K25

**Q VIDEO****MISCELLANEOUS**

IC 301 (B,46,32) VIDEO SW IC	NJM2595M
IC 303 (B,37,73) VIDEO SW IC	NJM2243M
IC 851 (B,100,70) CHARACTER GENERATOR	PDC131A
⚠ Q 301 (A,86,47) TRANSISTOR	2SC3377
⚠ Q 302 (A,66,52) TRANSISTOR	2SA1515
Q 303 (B,25,83) TRANSISTOR	2SC5938A
Q 852 (B,73,79) TRANSISTOR	2SC4081
D 301 (B,45,41) DIODE	1SS355
D 302 (B,41,46) DIODE	1SS355
D 303 (B,81,61) DIODE	UDZS6R2(B)
D 304 (B,73,59) DIODE	UDZS6R2(B)
D 305 (B,69,20) DIODE	1SS355
D 306 (B,61,23) DIODE	1SS355
D 307 (B,96,7) DIODE	UDZS5R1(B)
D 359 (B,93,53) DIODE	1SS355
D 360 (B,96,48) DIODE	1SS355
D 651 (B,84,75) DIODE	DAP202K



Mark No.	Description	Part No.
L 301 (B,33,11)	CHIP SOLID INDUCTOR	QTL1013
L 302 (B,34,6)	CHIP SOLID INDUCTOR	QTL1013
L 303 (B,26,13)	CHIP SOLID INDUCTOR	QTL1013
L 304 (B,26,15)	CHIP SOLID INDUCTOR	QTL1013
L 305 (B,21,23)	CHIP SOLID INDUCTOR	QTL1013
L 306 (B,58,12)	CHIP SOLID INDUCTOR	QTL1013
L 851 (B,81,74)	INDUCTOR	LCYA100J2520
L 852 (B,89,75)	INDUCTOR	LCYA100J2520
L 853 (B,100,62)	CHIP COIL	LCYA330J2520
J 44	JUMPER WIRE 11P	D20PPY1110E
JA305 (A,14,44)	PIN JACK(4P)YELLOW	AKB7100
JA351 (A,15,20)	MINI JACK(4P) /W SW	XKN3015
JA352 (A,18,9)	CONNECTOR	CKS4124
X 851 (A,102,58)	CRYSTAL RESONATOR (14.31818 MHz)	ASS1056
CN302 (A,64,84)	6P SOCKET	KP200TA6L
CN303 (A,62,7)	CONNECTOR	CKS3384
CN306 (A,14,65)	2P PIN JACK	XKB3041
CN310 (A,46,7)	CONNECTOR	CKS3372
390 (A,100,7)	PCB BINDER	VEF1040
301 (A,106,12)	11P CABLE HOLDER	51048-1100

### **RESISTORS**

R 301 (B,34,25)		RS1/16S750J
R 302 (B,31,60)		RS1/16S750J
R 303 (B,23,36)		RS1/16S750J
R 304 (B,49,22)		RS1/16S750J
R 305 (B,23,50)		RS1/16S750J
R 306 (B,32,54)		RS1/16S750J
R 307 (B,56,25)		RS1/16S102J
R 308 (B,57,29)		RS1/16S102J
R 309 (B,57,27)		RS1/16S151J
R 310 (B,57,31)		RS1/16S102J
R 311 (B,42,23)		RS1/16S102J
R 312 (B,60,25)		RS1/16S102J
△ R 313 (A,85,57)	METAL OXIDE RESISTOR	RS3LMF390J
R 314 (B,84,61)		RS1/16S152J
R 315 (B,64,59)		RS1/16S152J
△ R 316 (A,67,39)	METAL OXIDE RESISTOR	RS3LMF390J
R 317 (B,21,75)		RS1/16S102J
R 318 (B,27,79)		RS1/16S122J
R 319 (B,27,77)		RS1/16S472J
R 320 (B,100,16)		RS1/16S0R0J
R 390 (B,24,77)		RS1/16S102J
R 391 (B,20,38)		RS1/16S0R0J
R 392 (B,30,55)		RS1/16S0R0J
R 393 (B,62,14)		RS1/16S472J
R 852 (B,101,50)		RS1/16S471J
R 853 (B,94,47)		RS1/16S103J
R 854 (B,93,61)		RS1/16S103J
R 855 (B,107,82)		RS1/16S102J
R 856 (B,80,79)		RS1/16S221J
R 857 (B,75,79)		RS1/16S103J
R 858 (B,70,79)		RS1/16S222J
R 892 (B,103,50)		RS1/16S0R0J

### **CAPACITORS**

C 302 (B,22,44)		CKSRYB103K50
C 304 (B,33,19)		CKSRYB221K50
C 305 (B,41,19)		CKSRYB221K50
C 306 (B,22,54)		CKSRYB221K50

Mark No.	Description	Part No.
C 307 (A,31,35)		CEAT470M25
C 308 (A,52,53)		CEAT470M25
C 309 (A,32,44)		CEAT470M25
C 310 (A,54,42)	ELECT. CAPACITOR	CEAT470M25
C 311 (B,82,48)		CKSRYB473K25
C 312 (A,86,42)		CEAT470M25
C 313 (B,76,34)		CKSRYB473K25
C 314 (A,77,38)		CEAT470M25
C 333 (B,21,81)		CKSRYB331K50
C 338 (A,61,37)	ELECT. CAPACITOR	CEAT470M25
C 339 (B,46,48)		CKSRYB104K25
C 340 (B,57,36)		CKSRYB104K25
C 347 (B,45,43)		CCSRCH470J50
C 350 (A,38,80)		CEAT101M16
C 379 (B,22,41)		CKSRYB103K50
C 380 (A,43,74)		CEAT101M16
C 390 (A,30,75)	ELECTR.CAPACITOR	CEAT102M10
C 391 (A,49,61)		CEAT101M16
C 444 (B,38,65)		CKSRYB104K25
C 851 (A,83,83)		CEAT101M16
C 852 (A,93,82)		CEAT101M16

C 853 (B,102,82)		CKSRYB473K25
C 854 (B,91,75)		CKSRYB473K25
C 855 (B,106,54)		CCSRCH150J50
C 856 (B,103,54)		CCSRCH180J50
C 857 (B,101,54)		CCSRCH240J50
C 858 (B,99,54)		CCSRCH240J50
C 859 (B,99,47)		CCSRCH470J50
C 860 (B,98,82)		CKSRYB473K25
C 861 (B,100,82)		CKSRYB473K25
C 862 (B,105,82)		CCSRCH101J50
C 864 (A,73,83)		CEAT101M16
C 1360(B,18,65)		CKSRYB103K50

## **R DIGITAL IN ASSY MISCELLANEOUS**

F 1901(B,214,228)	INDUCTOR	CTF1295
JA 1900(A,206,201)	OPT. LINK IN	GP1FAV51RKBF
JA 1901(A,220,201)	OPT. LINK IN	GP1FAV51RKBF
KN1902(A,249,206)	SCREW PLATE	VNE1948
CN1902(A,211,238)	CONNECTOR POST	B5B-PH
CN1903(A,229,230)	CONNECTOR	VKN1186

### **RESISTORS**

R 1900(B,211,215)		RS1/16S101J
R 1901(B,214,223)		RS1/16S101J

### **CAPACITORS**

C 1900(B,205,215)		CKSRYB104K25
C 1901(B,217,215)		CKSRYB104K25
C 1903(B,211,230)		CKSRYB103K50
C 1904(A,208,228)		CEAL101M10
C 1905(B,233,232)		CKSRYB104K25
C 1906(B,235,232)		CKSRYB103K50
C 1907(B,237,232)		CCSRCH101J50
C 1908(B,239,232)		CKSRYB102K50
C 1909(B,215,234)		CCSRCH101J50

**Mark No. Description****Part No.****Mark No. Description****Part No.****S FRONT VIDEO ASSY  
MISCELLANEOUS**

A	JA902 (A,152,231) PIN JACK(4P)	AKX7014
	CN901 (A,117,238) CONNECTOR	B8B-PH

**RESISTORS**

R 901 (B,166,230)	RS1/16S331J
R 902 (B,182,228)	RS1/16S331J
R 903 (B,170,230)	RS1/16S474J
R 904 (B,178,228)	RS1/16S474J
R 905 (B,151,225)	RS1/16S750J
R 906 (B,123,227)	RS1/16S750J
R 907 (B,128,232)	RS1/16S750J

B

**CAPACITORS**

C 901 (B,166,224)	CCSRCH101J50
C 902 (B,181,220)	CCSRCH101J50
C 903 (A,143,234) ELECTR. CAPACITOR	CEAL470M25
C 904 (B,126,227)	CKSRYB104K25
C 905 (A,122,233) ELECTR. CAPACITOR	CEAL470M25

C 906 (B,165,218)	CKSRYB104K25
C 907 (B,167,218)	CKSRYB471K50
C 908 (B,170,218)	CKSRYB103K25
C 909 (B,150,218)	CKSRYB104K25
C 910 (B,152,218)	CKSRYB471K50

C

C 911 (B,154,218)	CKSRYB103K25
C 912 (B,130,218)	CKSRYB104K25
C 913 (B,132,218)	CKSRYB471K50
C 914 (B,141,218)	CKSRYB103K25
C 915 (B,168,230)	CCSRCH101J50

C 916 (B,180,228)	CCSRCH101J50
-------------------	--------------

**U PRIMARY ASSY  
MISCELLANEOUS**

D	⚠ IC 51 (A,234,14) REGULATOR IC	TA78057S
	Q 51 (B,267,14) DIGITAL TR(SC-70)	RT1N431M
	⚠ D 51 (B,298,20) BRIDGE DIODE	DF06SA
	D 55 (A,304,21) DIODE	1SR139-400
	D 56 (A,271,21) DIODE	1SS133

D 58 (A,314,13) ZENER DIODE	MTZJ5.1B
H 51 (A,231,34) FUSE CLIP	AKR7001
H 52 (A,250,34) FUSE CLIP	AKR7001
J 52 JUMPER WIRE	D20PYY0410E
KN51 (A,318,25) WRAPPING TERMINAL	VNF1084

E	KN3001(A,223,117) SCREW PLATE	VNE1948
	⚠ RY51 (A,271,57) RELAY	XSR3013
	⚠ T 51 (A,288,56) STANDBY TRANSFORMER	ATT7043
	⚠ CN51 (A,236,47) AC CODE SOCKET	RKP1751
	⚠ 51 (A,252,122) AC SOCKET 1-P	AKP1060
	55 (A,317,9) 4P CABLE HOLDER	51048-0400

**RESISTORS**

⚠ R 51 (A,318,37) RESISTOR(2.2M, 1/2W)	RCN1080
R 52 (A,275,11)	RD1/2PM270J
R 53 (A,307,12)	RD1/4PU332J
R 54 (A,319,16)	RD1/4PU103J

F

**CAPACITORS**

⚠ C 51 (A,261,64) FILM CAPACITOR	ACE7013
⚠ C 52 (A,265,57) SAFETY CAPACITOR	XCG3009

C 53 (A,291,21) ELECT. CAPACITOR	CEAT102M16
C 54 (A,300,11)	CEAT470M25
C 55 (A,307,21)	CKPUYF103Z25
C 56 (A,311,21)	CKPUYF103Z25
C 57 (A,314,21)	CKPUYF103Z25

**V TRANS1 ASSY**

TRANS1 ASSY has no service part.

**W USB ASY (VSX-916/MYXJ5)  
MISCELLANEOUS**

IC 701 (A,37,40) USB MEDIA CONTROL IC	TCC760HC01-AG
⚠ IC 702 (A,63,35) REGULATOR IC	MM1561JF
⚠ IC 703 (A,87,25) REGULATOR IC	BD7802FP
IC 761 (A,63,46) SD-RAM(64M)	HY57V641620ETP-6
IC 762 (A,87,46) FLASH ROM	AYW7088
IC9762 FLASH MEMORY IC	S29AL016D70TFI010

IC 771 (A,58,59) LOAD SWITCHING	AAT4618IGV-0.5-1
IC 781 (A,37,16) AUDIO DAC	AK4387ET
IC 951 (A,67,28) IC	TC74VHCT08AFTS1
IC 953 (A,52,25) IC	TC74VHC08FTS1
Q 782 (B,94,44) CHIP TRANSISTOR	DTC114YUA

Q 783 (B,92,38) TRANSISTOR	2SA1576A
Q 784 (B,87,32) TRANSISTOR	IMX9
L 701 (B,27,42) INDUCTOR	LCTC100K1608
L 702 (B,34,33) CHIP SOLID INDUCTOR	QTL1013
L 703 (A,24,30) CHIP SOLID INDUCTOR	QTL1013

L 704 (B,53,56) CHIP SOLID INDUCTOR	QTL1013
L 705 (B,28,38) CHIP FERRITE BEADS	VTL1169
L 731 (A,28,60) CHIP FERRITE BEADS	VTL1169
L 733 (A,36,56) COIL	VTH1043
L 761 (B,78,47) CHIP SOLID INDUCTOR	QTL1013

L 762 (B,85,44) CHIP SOLID INDUCTOR	QTL1013
L 781 (B,46,19) CHIP SOLID INDUCTOR	QTL1013
L 951 (A,59,30) CHIP SOLID INDUCTOR	QTL1013
L 953 (A,72,37) CHIP SOLID INDUCTOR	QTL1013
X 701 (A,23,42) CRYSTAL OSCILLATOR	CSS1614

CN701 (A,33,60) CONNECTOR	B4B-PH
CN702 (A,87,16) 15P SOCKET	XKP3078

**RESISTORS**

R 702 (A,43,55)	RS1/16S473J
R 703 (A,38,53)	RS1/16S0R0J
R 704 (A,35,53)	RS1/16S0R0J
R 705 (A,30,54)	RS1/16S470J
R 706 (A,30,52)	RS1/16S470J

R 707 (B,32,48)	RS1/16S470J
R 708 (B,22,51)	RS1/16S470J
R 709 (B,23,41)	RS1/16S0R0J
R 710 (B,35,42)	RS1/16S0R0J
R 711 (B,37,42)	RS1/16S472J

R 712 (A,27,43)	RS1/16S475J
R 717 (A,31,29)	RS1/16S473J
R 718 (A,36,25)	RS1/16S101J
R 719 (A,35,25)	RS1/16S101J
R 720 (A,35,21)	RS1/16S101J

R 724 (A,39,21)	RS1/16S472J
R 725 (A,44,25)	RS1/16S472J



1 2 3 4

Mark No. Description Part No.

6. ADJUSTMENT

CN952 (A,46,104) CONNECTOR

CKS3370

There is no information to be shown in this chapter.

A **RESISTORS**

R 951 (B,66,18)	RS1/16S101J
R 953 (A,38,72)	RS1/16S682J
R 954 (A,54,61)	RS1/16S101J
R 955 (A,50,67)	RS1/16S104J
R 956 (B,65,53)	RS1/16S102J

R 957 (B,57,69)	RS1/16S104J
R 958 (B,63,53)	RS1/16S104J
R 959 (B,63,59)	RS1/16S333J
R 960 (B,56,64)	RS1/16S472J
R 961 (B,59,57)	RS1/16S101J

B R 962 (B,41,63)	RS1/16S101J
R 963 (A,37,81)	RS1/16S104J
R 966 (B,51,63)	RS1/16S472J
R 967 (B,45,63)	RS1/16S333J
R 972 (A,48,70)	RS1/16S102J

R 973 (A,46,73)	RS1/16S0R0J
R 974 (A,35,106)	RS1/16S0R0J
R 975 (A,33,106)	RS1/16S0R0J

**CAPACITORS**

C 951 (B,64,12)	CKSRYB104K50
C 952 (B,35,59)	CKSRYB103K50
C 953 (B,33,59)	CKSRYB104K50
C 956 (A,43,68) CHIP ELECT.CAPACITOR	CEVW100M50
C 957 (A,51,67)	CKSRYB103K50

C 958 (A,43,79) CHIP ELECT.CAPACITOR	CEVW100M50
C 959 (A,48,67)	CKSRYB471K50
C 960 (A,56,68)	CCSRCH101J50
C 962 (A,39,81)	CKSRYB103K50
C 963 (A,34,99) CHIP ELECT.CAPACITOR	CEVW100M50

C 964 (B,43,63)	CCSRCH330J50
C 965 (B,63,61)	CCSRCH330J50
D C 967 (A,35,67) CHIP ELECT.CAPACITOR	CEVW100M50
C 968 (A,32,79) CHIP ELECT.CAPACITOR	CEVW100M50

**Y FM/AM TUNER UNIT**

FM/AM TUNER UNIT has no service part.

108

1 2 3 4

VSX-816-K

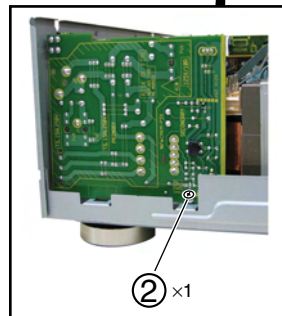
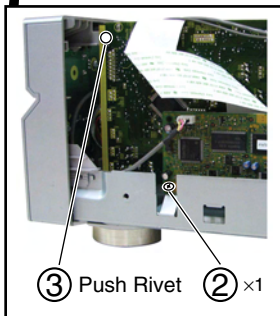
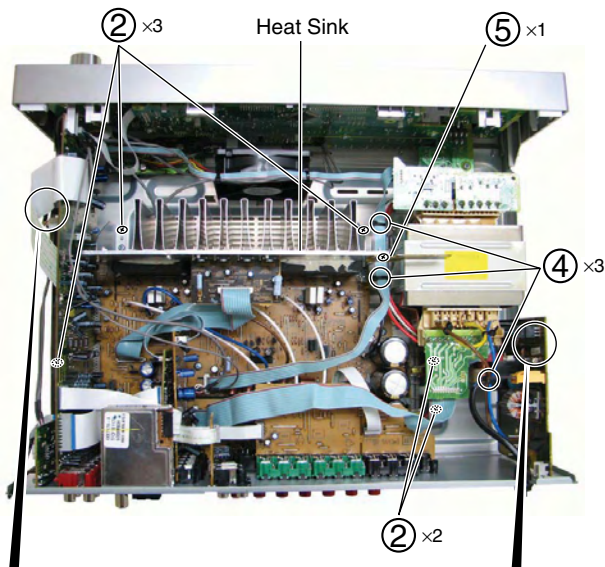
# 7. GENERAL INFORMATION

## 7.1 DIAGNOSIS

### 7.1.1 DISASSEMBLY

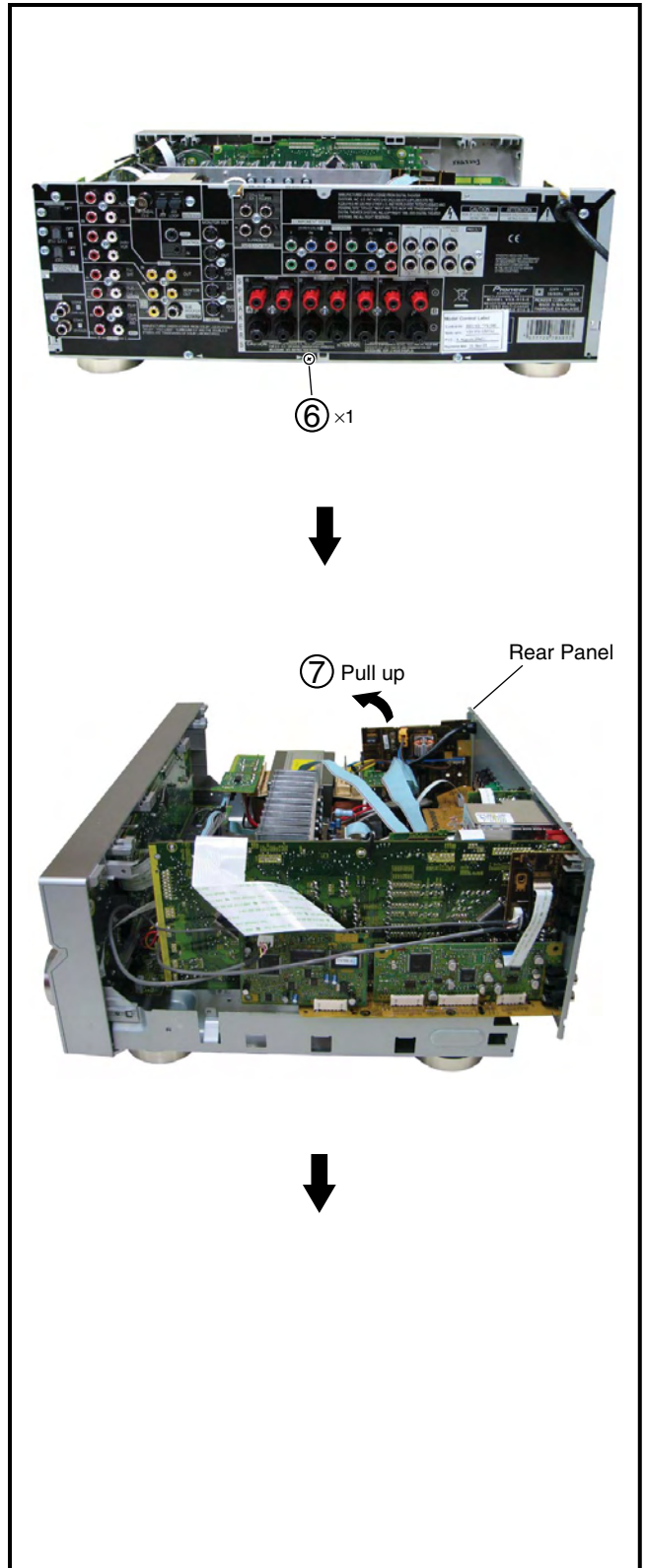
**Note:** Even if the unit shown in the photos and illustrations in this manual may differ from your product, the procedures described here are common.

① Remove the top cover (five screws).



④ Cut 3 cable ties.

⑤ Remove PCB holder(one screw).

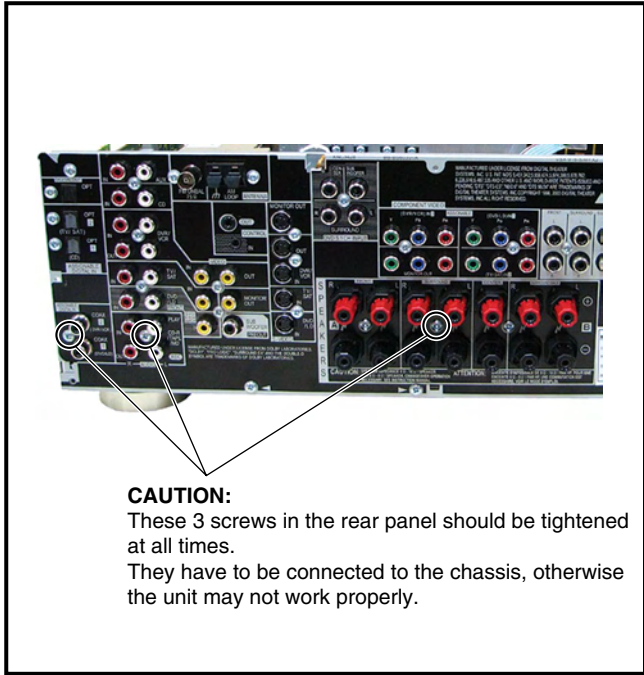
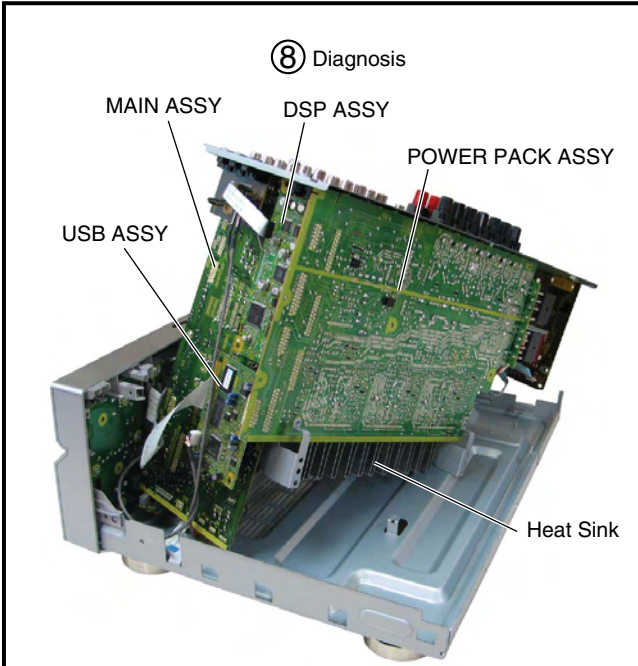


Note : The unit does not operate when the screws of Speaker Terminal are taken off from Rear Panel.

**Heat-sink caution when disassembling :** The Heat-sink becomes hot; please take care.

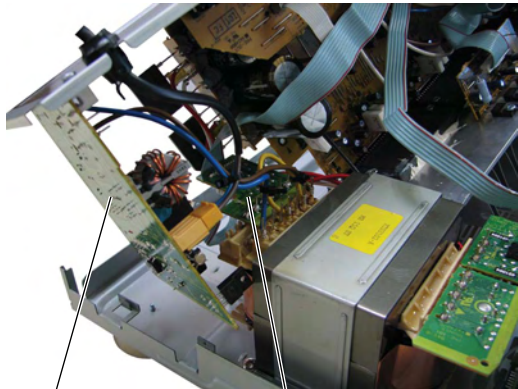
**Note:** Even if the unit shown in the photos and illustrations in this manual may differ from your product, the procedures described here are common.

A



C

D



E

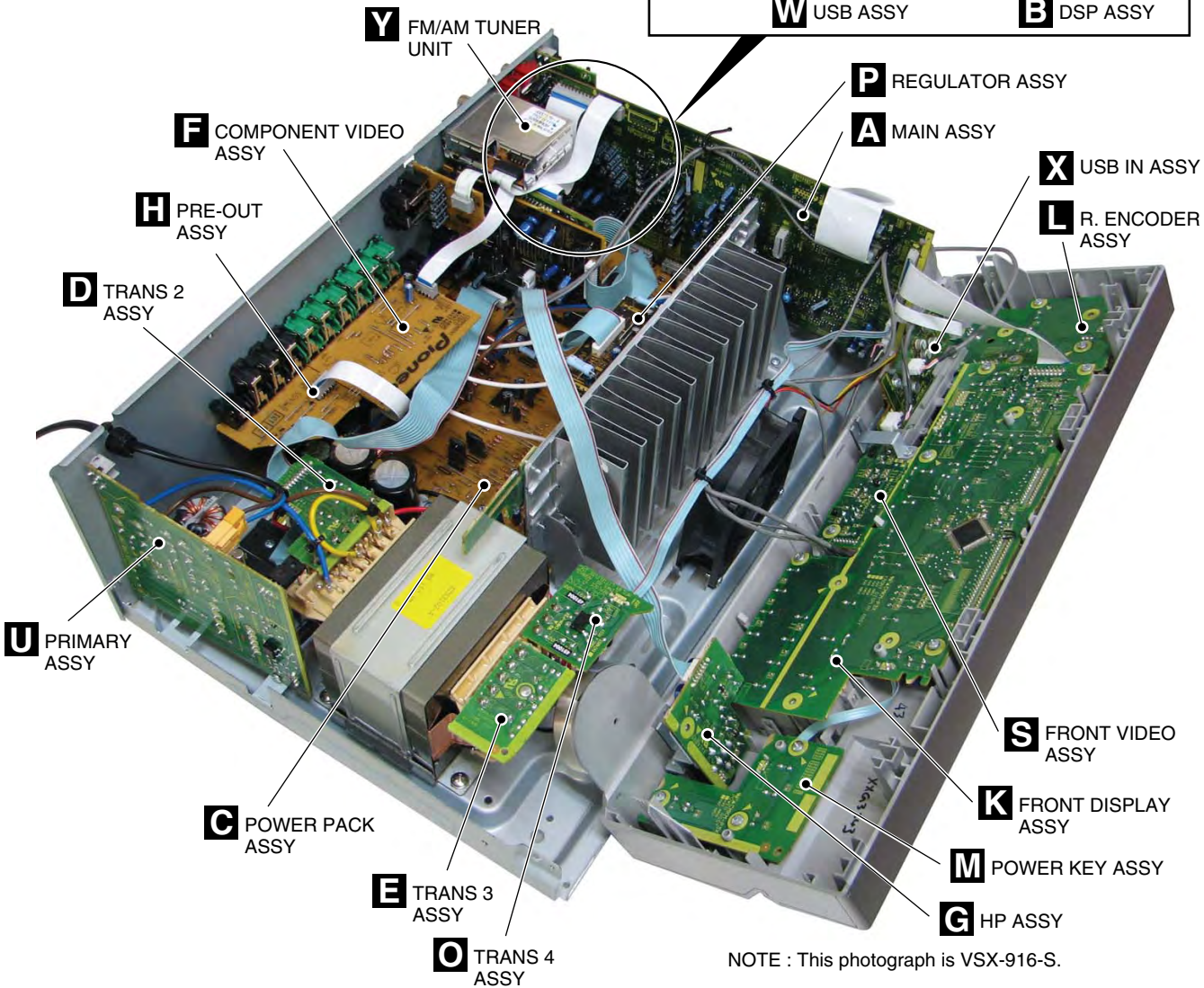
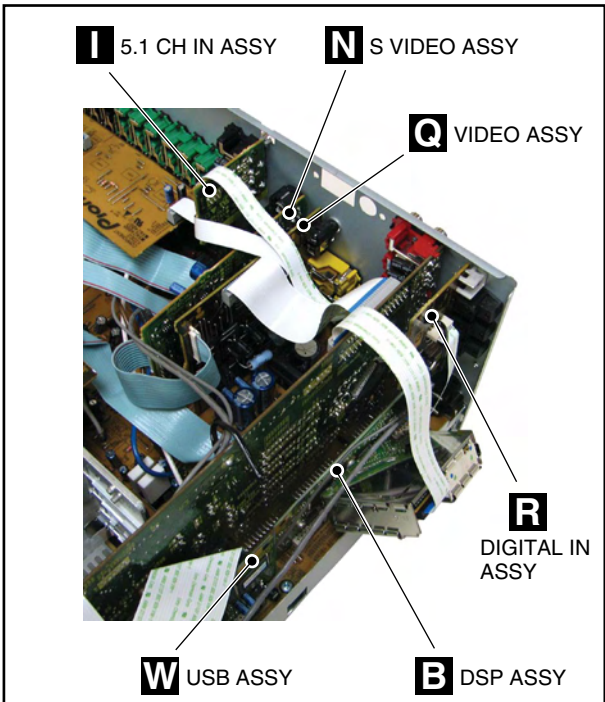
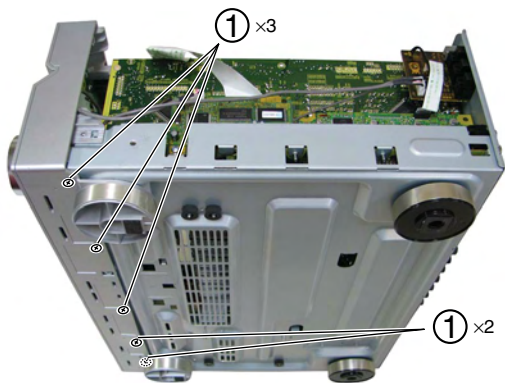
Be careful that no parts on the Primary Assy are touching the chassis.

When lifting up the Amplifier Assy, be careful not to damage this TRANS Assy.

Note : The unit does not operate when the screws of Speaker Terminal are taken off from Rear Panel.

**Heat-sink caution when disassembling :** The Heat-sink becomes hot; please take care.

F



NOTE : This photograph is VSX-916-S.

# 7.2 PARTS

## 7.2.1 IC

The information shown in the list is basic information and may not correspond exactly to that shown in the schematic diagrams.

### List of IC

PEG216A, PE5550A, NJM2243M, NJM2595M, R2S15205FP, STK413-230C, TCC760HC01-AG, AAT4618IGV-0.5-1

### PEG216A (MAIN ASSY : IC9001)

#### System Control MCU

#### Pin Arrangement (Top View)





## • Pin Function

No.	Port	Pin Name	I/O	Pin Function
1	P96/ANEX1/SOUT4	USB DAI	I/O	data out to USB
2	P95/ANEX0/CLK4	USCLK	I/O	clock signal from USB
3	P94/DA1/TB4IN	DISP EN	I/O	enable signal to display u-com
4	P93/DA0/TB3IN	DISP RDY	I/O	ready signal from display u-com
5	P92/TB2IN/SOUT3	DISP DI/OSD DT	I/O	data out to display u-com/OSD IC
6	P91/TB1IN/SIN3	DISP DO	I/O	data in from display u-com
7	P90/TB0IN/CLK3	DISP CLK/OSD CLK	I/O	clock signal to display u-com/OSD IC
8	BYTE	GND		
9	CNVss	CNVSS		
10	P87/XCIN	I2C CK	I/O	clock for I2C communication with EEPROM IC
11	P86/XCOUT	I2C DT	I/O	data for I2C communication with EEPROM IC
12	RESET	XRESET		
13	XOUT	XOUT		
14	VSS	GND		
15	XIN	XIN		
16	VCC	5V		
17	P85/NMI	NMI	I	no use
18	P84/INT2	ACIN(WAKEUP)	I/O	AC pulse in
19	P83/INT1 P85/NMI	USB TREQ	I/O	Request from TCC760 to main u-com
20	P82/INT0	1W WUP	I/O	wake up signal from display u-com
21	P81/TA4IN/U	UART SW2	I/O	L:SR + route and H:iPod or XM route are selected.
22	P80/TA4OUT/U	USB HREQ	I/O	Request from main u-com to TCC760
23	P77/TA3IN	USB CTL	I/O	From main u-com to USB power switch IC
24	P76/TA3OUT	USB XFLAG	I/O	From USB power switch IC to main u-com
25	P75/TA2IN/W	iPod Sense	I/O	iPod Sense
26	P74/TA2OUT/W	USB XRST	I/O	reset signal to USB
27	P73/CTS2/RTS2/TA1IN/V	USCS	I/O	From main u-com to TCC760
28	P72/CLK2/TA1OUT/V	DISP RST	I/O	reset signal to display u-com
29	P71/RxD2/SCL/TA0IN/TB5IN	XM RX	I/O	XM communication
30	P70/TXD2/SDA/TA0OUT	XM TX	I/O	XM communication
31	P67/TXD1	TXD(SR+/iPod)	I/O	SR+/iPod communication
32	P66/RxD1	RXD(SR+/iPod)	I/O	SR+/iPod communication
33	P65/CLK1	CLK	I/O	It is necessary when writing for JIG
34	P64/CTS1/RTS1/CLKS1	232C CTS	I/O	For rewriting 232C (Admit communication)
35	P63/TXD0	DSP DI	I/O	Data output signal for communication with DSP and DIR
36	P62/RxD0	DSP DO	I/O	Data input signal for communication with DSP
37	P61/CLK0	DSP CLK	I/O	Clock signal for communication with DSP and DIR
38	P60/CTS0/RTS0	DSP RST	I/O	Reset signal for DSP
39	P57/RDY/CLKOUT	DSP SS	I/O	Strobe select signal to DSP
40	P56/ALE	BUSY	I/O	Use it in MCACC
41	P55/HOLD	DSP HREQ	I/O	DSP error detect signal
42	P54/HLDA	DSP MODE	I/O	Mode select of DSP (ROM/RAM)
43	P53/BCLK	DSP MUTE	I/O	DSP ASSY mute
44	P52/RD	ADMODE	I/O	DSP ASSY
45	P51/WRH/BHE	DIR DO	I/O	Data input signal for communication with DIR/DAC
46	P50/WRL/WR	DIR CS	I/O	Chip select signal for communication with DIR/DAC
47	P47/CS3	LSSN	I/O	DSP ASSY
48	P46/CS2	DIR CDC RST	I/O	Reset signal for DIR CODEC
49	P45/CS1	DIR ERR	I/O	lock/unlock signal
50	P44/CS0	XTL0	I/O	DIR X'tal change

## • Pin Function

A

No.	Port	Pin Name	I/O	Pin Function
51	P43/A19	NECK_SEL	I/O	For 8ohm spk impedance: "H" at Adv Surr, Standard, 5.1 Multich, speaker A+B(7ch model). For 6 ohm spk impedance: L
52	P42/A18	XMDACRST	I/O	RESET of 2chDAC for XM
53	P41/A17	AMUTE	I/O	System mute
54	P40/A16	RY_B	I/O	Speaker B relay-on / OFF at 916, 816 and 516. This RY_B is used for SW relay at 316.
55	P37/A15	RY_C/R	I/O	Rear one / center relay-on / OFF
56	P36/A14	RY_A	I/O	Speaker A relay-on / OFF
57	P35/A13	XM ERR	I/O	
58	P34/A12	RY-AC	I/O	AC relay on/off
59	P33/A11	VIDEO4	I/O	NJM2296 control (VIDEO input select) (SX316 no connect)
60	P32/A10	LOW_CONSUMPTION	I/O	When 1 minutes passed after power off and then go into stop mode and port L, else H.
61	P31/A9	EVR CLK	I/O	Clock signal for Function and E-volume
62	Vcc	5V		
63	P30/A8(/_/D7)	EVR DT	I/O	Data signal for Function and E-volume
64	Vss	GND		
65	P27/A7(/D7/D6)	COMP VIDEO INH	I/O	Component terminal control
66	P26/A6(/D6/D5)	COMP VIDEOB	I/O	Component terminal control
67	P25/A5(/D5/D4)	COMP VIDEOA	I/O	Component terminal control
68	P24/A4(/D4/D3)	SWDET	I/O	"H": SW YES, "L": SW NO (SX316 no connect)
69	P23/A3(/D3/D2)	VIDEO3	I/O	NJM2296 control (VIDEO input select) (SX316 no connect)
70	P22/A2(/D2/D1)	VIDEO2	I/O	NJM2296 control (VIDEO input select) (SX316 no connect)
71	P21/A1(/D1/D0)	VIDEO1	I/O	NJM2296 control (VIDEO input select) (SX316 no connect)
72	P20/A0(/D0/_)	DC PROTECT	I/O	Amplifier DC detection. H:Normal, L:Abnormal
73	P17/D15/INT5	OL DET	I/O	Amplifier overload detection. H:Normal, L:Abnormal
74	P16/D14/INT4	DSP OVERLOAD	I/O	ANALOG OVER LOAD detect (H : detect)
75	P15/D13/INT3	RDS CLK/XM LOWSPEED	I/O	RDS clock in signal/XM Lowspeed
76	P14/D12	RDS DT/Link ACTIVE(XM)	I/O	RDSdata in signal/XM Link Active
77	P13/D11	RDS FM+/XM RST	I/O	RDS power supply/XM reset. FM : Low, AM:High
78	P12/D10	WAKE UPB(XM)	I/O	XMDT for communication
79	P11/D9	XM Signal Sw	I/O	CLK,DT, etc. XM/DIR selector (XM : High)
80	P10/D8	XM Common Select	I/O	XM
81	P07/D7	TUNER DO	I/O	Data input signal for tuner control
82	P06/D6	TUNER CLK	I/O	Clock signal for tuner control
83	P05/D5	TUNER DI	I/O	Data output signal for tuner control
84	P04/D4	TUNER CE	I/O	Chip select signal for tuner control
85	P03/D3	6 OHM	I/O	if stop mode, port L, else according to setting(J model No connect)
86	P02/D2	OSD RST	I/O	
87	P01/D1	OSD CS	I/O	
88	P00/D0	DECO MUTE	I/O	1st DSP detect port
89	P107/AN7/KI3	XPROTECT	I/O	Power supply abnormal condition detection. H: Normal, L: Abnormal.
90	P106/AN6/KI2	MVRATT	I/O	Master volume ATT control (-15dB or less : L)
91	P105/AN5/KI1	XM POW	I/O	XM antenna power supply. H always. When abnormally detecting it, it makes it to L.
92	P104/AN4/KI0	iPod POW	I/O	iPod power supply. H always. When abnormally detecting it, it makes it to L.
93	P103/AN3	XM Fs	I/O	XM
94	P102/AN2	SIMUKE1	I/O	Input 1 to switch region
95	P101/AN1	SIMUKE2	I/O	Input 2 to switch region
96	AVSS	AVSS		connects with VCC.
97	P100/AN0	HP DET	I/O	HP detection H:detected.
98	VREF	VREF		connects with VCC.
99	AVcc	AVCC		connects with VCC.
100	P97/ADTRG/SIN4	USDAO	I/O	data input from USB

F



## • Pin Function

A

No.	Port	Pin Name	I/O	Pin Function
1	VDD1	+5V	-	positive power supply
2	VSS1	GND	-	ground potential
3	X1	Resonator	I	crystal connection for system clock oscillation
4	X2	Resonator	-	crystal connection for system clock oscillation
5	IC(VPP)	GND	-	
6	RESET	DISP RESET	I	receive reset signal from main u-com
7	P27/SCK1	DISP CK	I/O	clock signal from main u-com
8	P26/SI1	DISP DTI	I/O	data in from main u-com
9	P25/SO1	DISP DTO	I/O	data out to main u-com
10	P24/BUSY	DISP RDY	I/O	ready signal from main u-com
11	P23	Test	I/O	test mode input for checker
12	P22	1w_wup	I/O	output wakeup signal to main u-com
13	P21/SO3	NC	I/O	
14	P20/SCK3	NC	I/O	
15	P00/INTP0	DISP EN	I/O	enable signal from main u-com
16	P01/INTP1	NC	I/O	
17	P02/T1	SR IN	I/O	remote control signal input from main room
18	AVSS	GND	-	ground potential for A/D converter
19	ANI3	KEY IN4	I	
20	ANI2	KEY IN3	I	
21	ANI1	KEY IN2	I	
22	ANI0	KEY IN1	I	
23	VSS0	GND	-	ground potential for ports
24	AVDD	+5V	-	analog power voltage input to A/D converter
25	VDD0	+5V	-	positive power supply to ports
26	P64/FIP52	NC	I/O	
27	P63/FIP51	FEN A	I/O	MULTI JOG(Right)
28	P62/FIP50	FEN B	I/O	MULTI JOG(Left)
29	P61/FIP49	EN B	I/O	VOLUME JOG1(-)
30	P60/FIP48	EN A	I/O	VOLUME JOG1(+)
31	P57/FIP47	NC	I/O	NC
32	P56/FIP46	MCACC LED	I/O	MCACC LED output
33	P55/FIP45	MIC DET	I/O	MIC detection. L:detected, H:No detect
34	P54/FIP44	Center LED	I/O	Digital Precision Processing LED. H:ON, L:OFF. Only for 816KU, 816SF, 916MY, 516J
35	P53/FIP43	NC	I/O	NC
36	P52/FIP42	NC	I/O	NC
37	P51/FIP41	NC	I/O	NC
38	P50/FIP40	NC	I/O	NC
39	P47/FIP39	NC	O	NC
40	P46/FIP38	NC	O	NC
41	FIP37/P45	POWER ON LED	I/O	POWER LED output
42	FIP36/P44	S24	O	Display
43	FIP35/P43	S23	O	Display
44	FIP34/P42	S22	O	Display
45	FIP33/P41	S21	O	Display
46	FIP32/P40	S20	O	Display
47	FIP31/P37	S19	O	Display
48	FIP30/P36	S18	O	Display
49	FIP29/P35	S17	O	Display
50	FIP28/P34	S16	O	Display

B

C

D

E

F

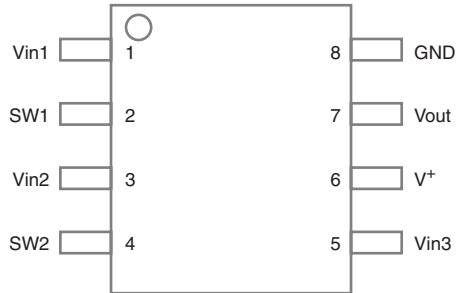
• Pin Function

No.	Port	Pin Name	I/O	Pin Function
51	FIP27/P33	S15	O	Display
52	FIP26/P32	S14	O	Display
53	FIP25/P31	S13	O	Display
54	FIP24/P30	S12	O	Display
55	FIP23	S11	O	Display
56	FIP22	S10	O	Display
57	FIP21	S9	O	Display
58	FIP20	S8	O	Display
59	VDD2	+5V	-	positive power supply to FIP controller.
60	VLOAD	VF	-	pull down resistor connection of FIP controller
61	FIP19	S7	O	Display
62	FIP18	S6	O	Display
63	FIP17	S5	O	Display
64	FIP16	S4	O	Display
65	FIP15	S3	O	Display
66	FIP14	S2	O	Display
67	FIP13	S1	O	Display
68	FIP12	G13	O	Display
69	FIP11	G12	O	Display
70	FIP10	G11	O	Display
71	FIP9	G10	O	Display
72	FIP8	G9	O	Display
73	FIP7	G8	O	Display
74	FIP6	G7	O	Display
75	FIP5	G6	O	Display
76	FIP4	G5	O	Display
77	FIP3	G4	O	Display
78	FIP2	G3	O	Display
79	FIP1	G2	O	Display
80	FIP0	G1	O	Display

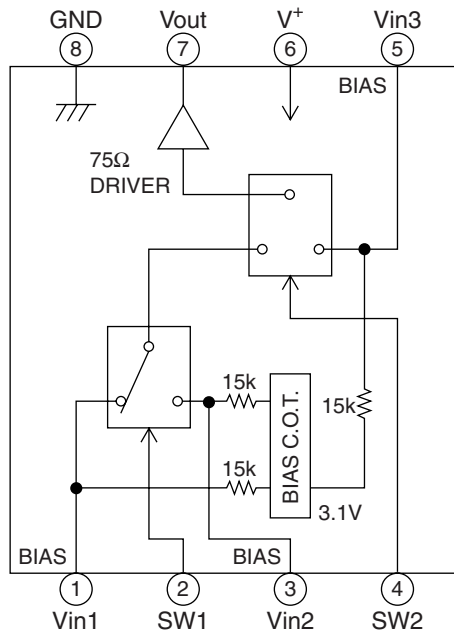
# ■ NJM2243M (VIDEO ASSY : IC303) (S. VIDEO ASSY : IC1102, IC1103)

● 3-INPUT VIDEO SWITCH WITH 75Ω DRIVER

## ● Pin Configuration (Top view)



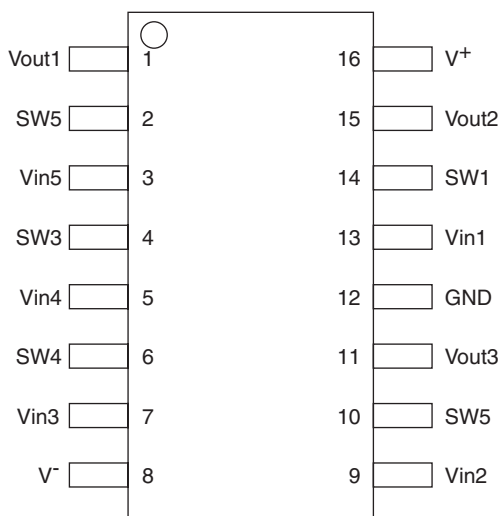
## ● Block Diagram



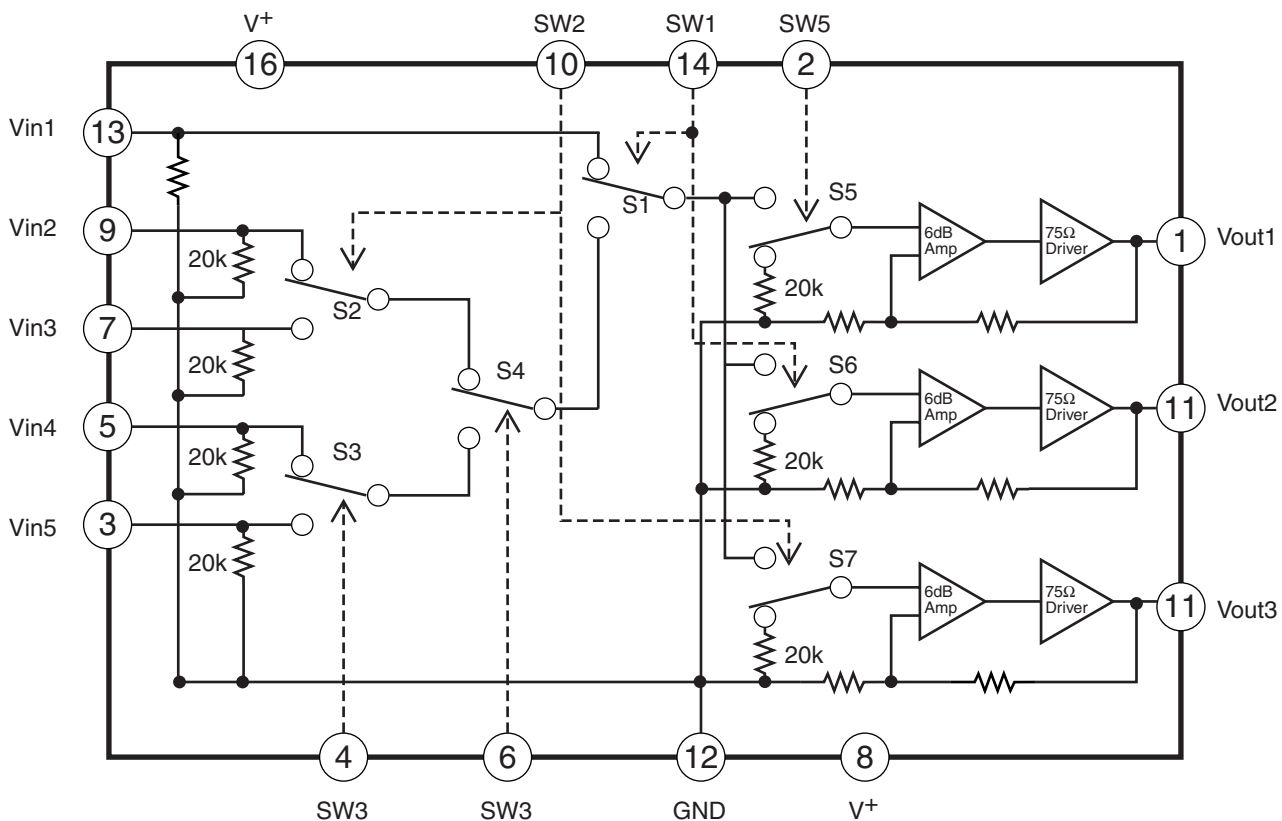
# ■ NJM2595M (VIDEO ASSY : IC301) (S. VIDEO ASSY : IC351, IC352)

• 5-INPUT 3-OUTPUT VIDEO SWITCH

## ● Pin Configuration (Top view)



## ● Block Diagram



# R2S15205FP (MAIN ASSY : IC108)

• 8ch electronic volume with 11 input selectors and tone control

## • Block Diagram

A

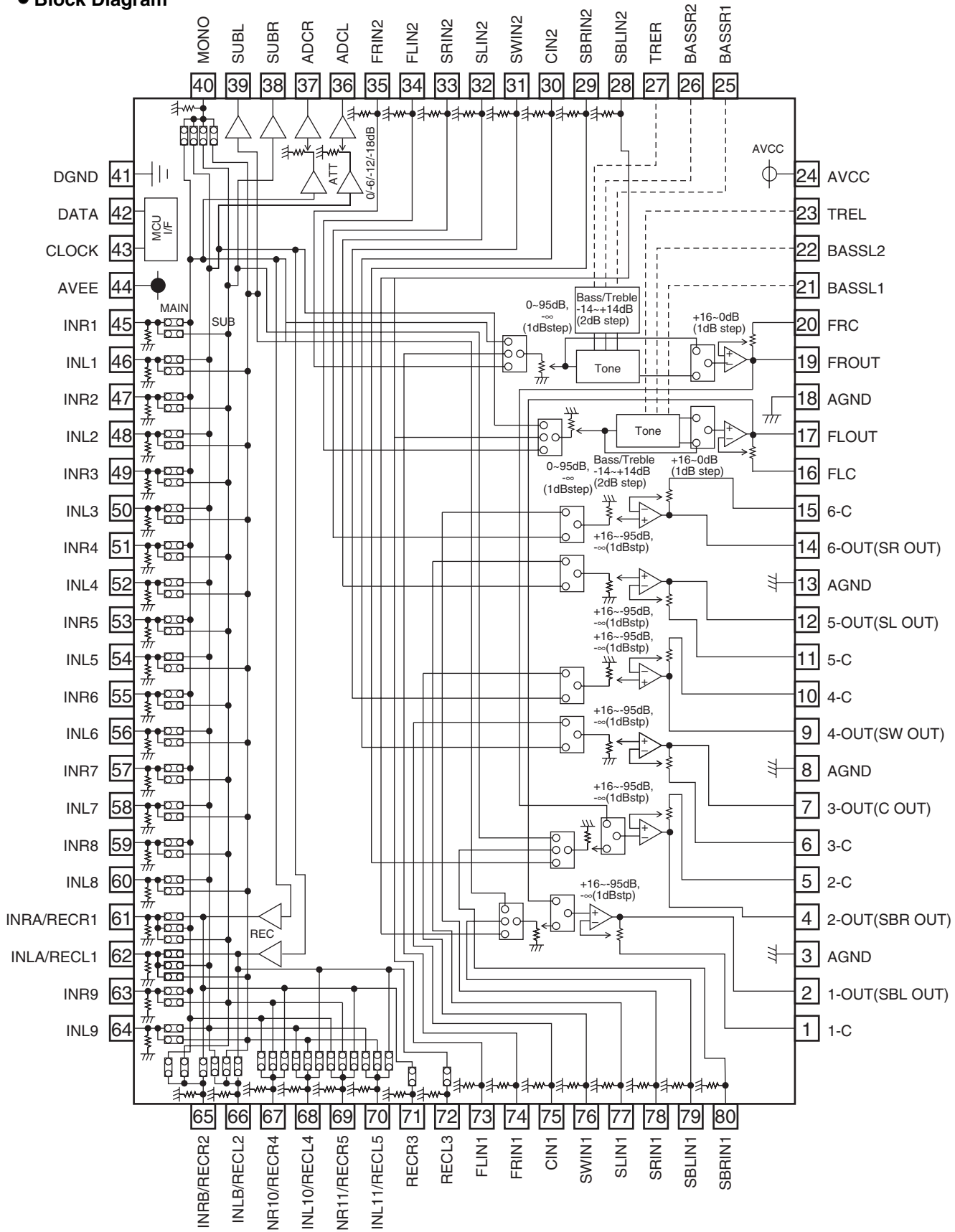
B

C

D

E

F





## ● Pin Function

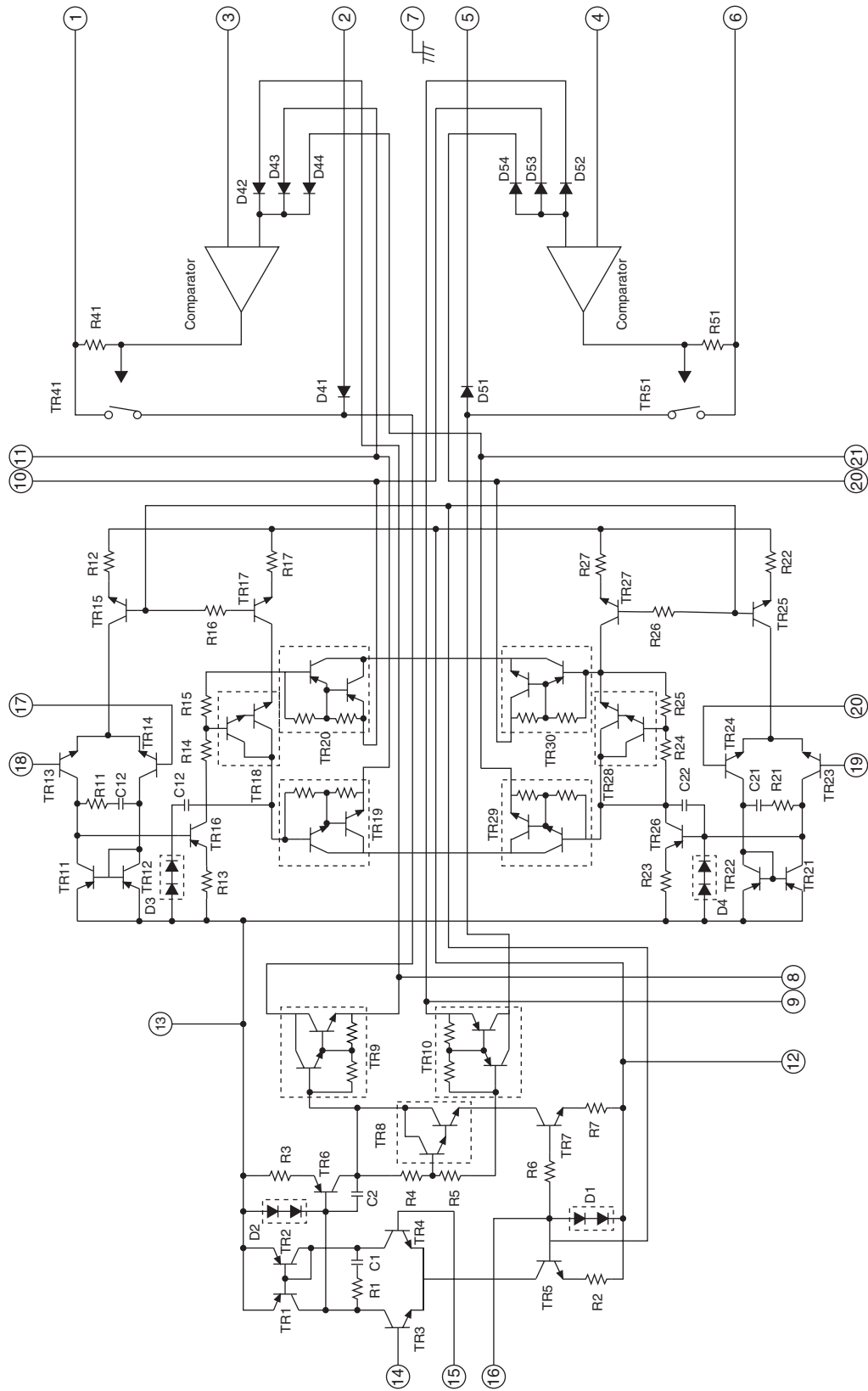
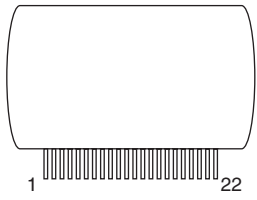
PIN No.	Name	Function
19,17, 14,12, 9,7, 4,2	FROUT,FLOUT, 6-OUT,5-OUT, 4-OUT,3-OUT, 2-OUT,1-OUT	Output pin of FL/FR/C/SW/SL/SR/SBL/SBR channel
20,16, 15,11, 10,6, 5,1	FRC,FLC, 6-C,5-C, 4-C,3-C, 2-C,1-C	Connects capacitor for reducing click noise of L/R/C/SW/SL/SR/SBL/SBR channel volume
3,8, 13,18	AGND	Analog ground of internal circuit
23,27	TREL,TRER	Frequency characteristic setting pin of L/R channel tone control(Treble)
21,22, 25,26	BASSL1,BASSL2, BASSR1,BASSR2,	Frequency characteristic setting pin of L/R channel tone control(Bass)
24	AVCC	Positive power supply to internal circuit
35,34, 33,32, 31,30, 29,28	FRIN2,FLIN2, SRN2,SLIN2, SWN2,CIN2, SBRIN2,SBLIN2,	Input pin of L/R/C/SW/SL/SR/SBL/SBR channel(Multi IN 1/2)
73,74, 75,76, 77,78, 79,80	FLIN1,FRIN1, CIN1,SWIN1, SLIN1SRIN1, SBLIN1,SBRIN1	
41	DGND	Digital ground of internal circuit
42	DATA	Input pin of control data
43	CLOCK	Input pin of control clock
44	AVEE	Negative power supply to internal circuit
46,48,50, 52,54,56, 58,60,64	INL1,INL2,INL3, INL4,INL5,INL6, INL7,INL8,INL9	Input pin of L/R channel(Input Selector)
45,47,49, 51,53,55, 57,59,63	INR1,INR2,INR3, INR4,INR5,INR6, INR7,INR8,INR9	
40	MONO	Input pin of monaural(Input Selector)
38,39	SUBL,SUBR	Output pin for L/R channel SUB Output
36,37	ADCL,ADCR	Output pin for L/R channel ADC
72	RECL3	Output pin for L/R channel REC Output
71	RECR3	
61,62, 65,66, 67,68, 69,70	INRA/RECR1,INLA/RECL1, INRB/RECR2,INLB/RECL2, INR10/RECR4,INL10/RECL4, INR11/RECR5,INL11/RECL5,	Input pin of L/R channel(Input Selector)/ Output pin for L/R channel REC Output

# ■ STK413-230C (POWER PACK ASSY : IC603)

• 3-channel high efficiency AF power amplifier

## ● Pin Configuration

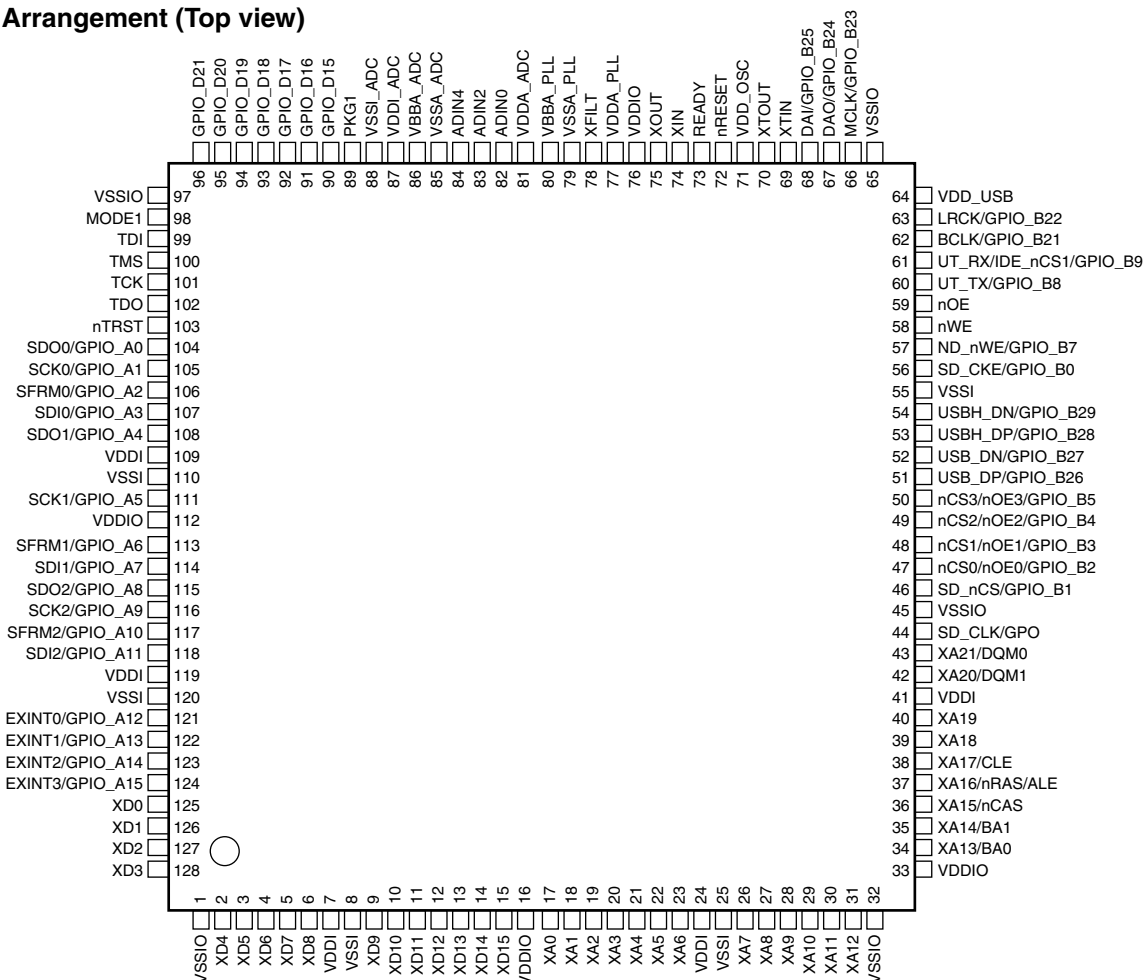
## ● Block Diagram



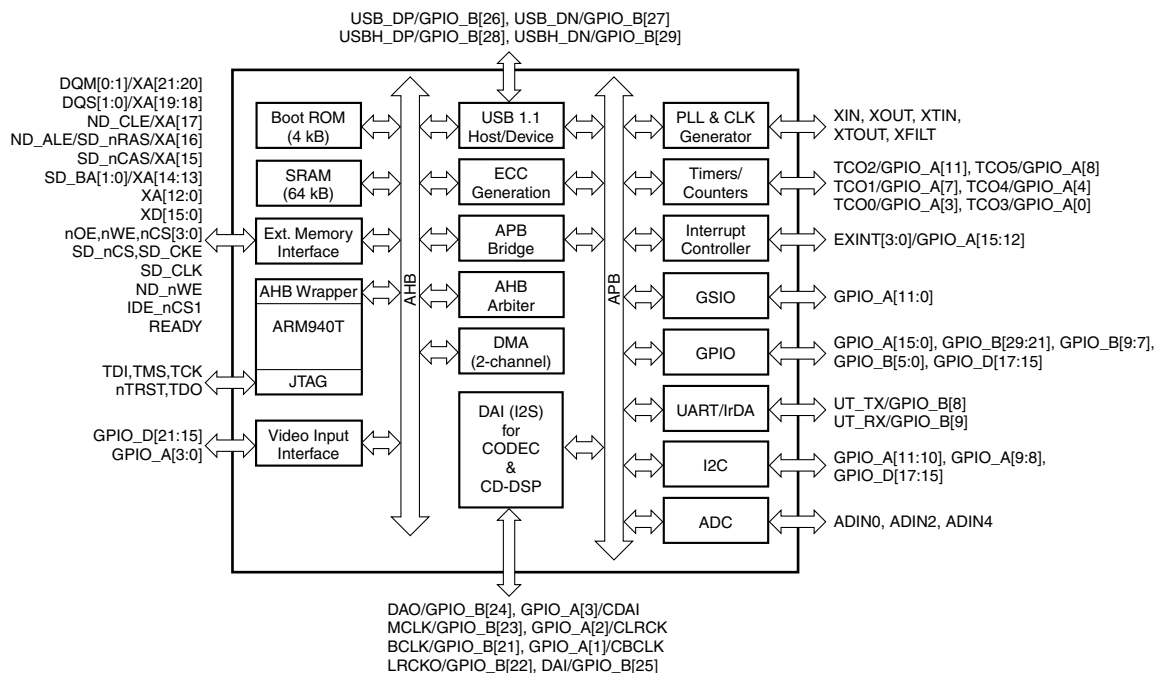
# TCC760HC01-AG (USB ASSY : IC701)

• USB Media Control IC

## • Pin Arrangement (Top view)



## • Block Diagram



## ● Pin Functions

No.	Pin Name	I/O	Pin Function
1	VSSIO	–	Digital ground for I/O
2	XD4	I/O	External bus data bit [4]
3	XD5	I/O	External bus data bit [5]
4	XD6	I/O	External bus data bit [6]
5	XD7	I/O	External bus data bit [7]
6	XD8	I/O	External bus data bit [8]
7	VDDI	–	Digital power supply for internal core (1.8 V)
8	VSSI	–	Digital ground for internal
9	XD9	I/O	External bus data bit [9]
10	XD10	I/O	External bus data bit [10]
11	XD11	I/O	External bus data bit [11]
12	XD12	I/O	External bus data bit [12]
13	XD13	I/O	External bus data bit [13]
14	XD14	I/O	External bus data bit [14]
15	XD15	I/O	External bus data bit [15]
16	VDDIO	–	Digital power supply for I/O (1.8 V to 3.3 V)
17	XA0	I/O	External bus address bit [0]
18	XA1	I/O	External bus address bit [1]
19	XA2	I/O	External bus address bit [2]
20	XA3	I/O	External bus address bit [3]
21	XA4	I/O	External bus address bit [4]
22	XA5	I/O	External bus address bit [5]
23	XA6	I/O	External bus address bit [6]
24	VDDI	–	Digital power supply for internal core (1.8 V)
25	VSSI	–	Digital ground for internal
26	XA7	I/O	External bus address bit [7]
27	XA8	I/O	External bus address bit [8]
28	XA9	I/O	External bus address bit [9]
29	XA10	I/O	External bus address bit [10]
30	XA11	I/O	External bus address bit [11]
31	XA12	I/O	External bus address bit [12]
32	VSSIO	–	Digital ground for I/O
33	VDDIO	–	Digital power supply for I/O (1.8 V to 3.3 V)
34	XA13/BA0	I/O	External bus address bit [13] / SDRAM bank address 0
35	XA14/BA1	I/O	External bus address bit [14] / SDRAM bank address 1
36	XA15/nCAS	I/O	External bus address bit [15] / SDRAM CAS signal
37	XA16/nRAS/ALE	I/O	External bus address bit [16] / SDRAM RAS signal / ALE for NAND flash
38	XA17/CLE	I/O	External bus address bit [17] / CLE for NAND flash
39	XA18	I/O	External bus address bit [18]
40	XA19	I/O	External bus address bit [19]
41	VDDI	–	Digital power supply for internal core (1.8 V)
42	XA20/DQM1	I/O	External bus address bit [20] / Data I/O mask 1
43	XA21/DQM0	I/O	External bus address bit [21] / Data I/O mask 0
44	SD_CLK/GPO	I/O	SDRAM clock / GPO, SD_CLK can be used as a general purpose output.
45	VSSIO	–	Digital ground for I/O
46	SD_nCS/GPIO_B1	I/O	Chip select signal for SDRAM, active low / GPIO_B[1]
47	nCS0/nOE0/GPIO_B2	I/O	External bus chip select [0] / NAND flash output enable [0] / GPIO_B[2]
48	nCS1/nOE1/GPIO_B3	I/O	External bus chip select [1] / NAND flash output enable [1] / GPIO_B[3]
49	nCS2/nOE2/GPIO_B4	I/O	External bus chip select [2] / NAND flash output enable [2] / GPIO_B[4]
50	nCS3/nOE3/GPIO_B5	I/O	External bus chip select [3] / NAND flash output enable [3] / GPIO_B[5]

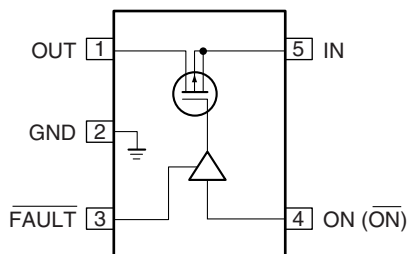
No.	Pin Name	I/O	Pin Function
51	USB_DP/GPIO_B26	I/O	USB function D+ signal / GPIO_B[26]
52	USB_DN/GPIO_B27	I/O	USB function D- signal / GPIO_B[27]
53	USBH_DP/GPIO_B28	I/O	USB host D+ signal / GPIO_B[28]
54	USBH_DN/GPIO_B29	I/O	USB host D- signal / GPIO_B[29]
55	VSSI	–	Digital ground for internal
56	SD_CKE/GPIO_B0	I/O	SDRAM clock enable signal, active high / GPIO_B[0]
57	ND_nWE/GPIO_B7	I/O	NAND flash WE, active low / GPIO_B[7]
58	nWE	I/O	Static memory write enable signal, active low
59	nOE	I/O	Static memory output enable signal, active low
60	UT_TX/GPIO_B8	I/O	UART or IrDA TX data / GPIO_B[8]
61	UT_RX/IDE_nCS1/GPIO_B9	I/O	UART or IrDA RX data / IDE chip select 1 / GPIO_B[9]
62	BCLK/GPIO_B21	I/O	I2S bit clock / GPIO_B[21]
63	LRCK/GPIO_B22	I/O	I2S word clock / GPIO_B[22]
64	VDD_USB	–	Power supply for USB I/O (3.3 V)
65	VSSIO	–	Digital ground for I/O
66	MCLK/GPIO_B23	I/O	I2S system clock / GPIO_B[23]
67	DAO/GPIO_B24	I/O	I2S digital audio data output / GPIO_B[24]
68	DAI/GPIO_B25	I/O	I2S digital audio data input / GPIO_B[25]
69	XTIN	I	Sub crystal oscillator input (32.768 kHz)
70	XTOUT	O	Sub crystal oscillator output (32.768 kHz)
71	VDD_OSC	–	Digital power supply for oscillators (1.8 V)
72	nRESET	I	System reset, active low
73	READY	I	Ready information from external device
74	XIN	I	Main crystal oscillator input for PLL (12 MHz)
75	XOUT	O	Main crystal oscillator output for PLL (12 MHz)
76	VDDIO	–	Digital power supply for I/O (1.8 V to 3.3 V)
77	VDDA_PLL	–	Analog and digital power supply for PLL (1.8 V)
78	XFILT	AO	PLL filter output
79	VSSA_PLL	–	Analog ground for PLL
80	VBBA_PLL	–	Analog ground for PLL
81	VDDA_ADC	–	Analog power supply for ADC (3.3 V)
82	ADIN0	AI	General purpose multi-channel ADC input 0
83	ADIN2	AI	General purpose multi-channel ADC input 2
84	ADIN4	AI	General purpose multi-channel ADC input 4
85	VSSA_ADC	–	Analog ground for ADC
86	VBBA_ADC	–	Analog ground for ADC
87	VDDI_ADC	–	Digital power supply for ADC (1.8 V)
88	VSSI_ADC	–	Digital ground for ADC
89	PKG1	I	Package ID 1, pull-up for normal operation
90	GPIO_D15	I/O	GPIO_D[15]
91	GPIO_D16	I/O	GPIO_D[16]
92	GPIO_D17	I/O	GPIO_D[17]
93	GPIO_D18	I/O	GPIO_D[18]
94	GPIO_D19	I/O	GPIO_D[19]
95	GPIO_D20	I/O	GPIO_D[20]
96	GPIO_D21	I/O	GPIO_D[21]
97	VSSIO	–	Digital ground for I/O
98	MODE1	I	Mode select input 1, Pull-down for normal operation.
99	TDI	I	JTAG serial data input for ARM940T
100	TMS	I	JTAG test mode select for ARM940T

No.	Pin Name	I/O	Pin Function
101	TCK	I	JTAG test clock for ARM940T
102	TDO	I/O	JTAG serial data output for ARM940T
103	nTRST	I	JTAG reset signal for ARM940T, active low
104	SDO0/GPIO_A0	I/O	Serial data output 0 / GPIO_A[0]
105	SCK0/GPIO_A1	I/O	Serial clock input 0 / GPIO_A[1]
106	SFRM0/GPIO_A2	I/O	Serial frame 0 / GPIO_A[2]
107	SDI0/GPIO_A3	I/O	Serial data input 0 / GPIO_A[3]
108	SDO1/GPIO_A4	I/O	Serial data output 1 / GPIO_A[4]
109	VDDI	-	Digital power supply for internal core (1.8 V)
110	VSSI	-	Digital ground for internal
111	SCK1/GPIO_A5	I/O	Serial clock input 1 / GPIO_A[5]
112	VDDIO	-	Digital power supply for I/O (1.8 V to 3.3 V)
113	SFRM1/GPIO_A6	I/O	Serial frame 1 / GPIO_A[6]
114	SDI1/GPIO_A7	I/O	Serial data input 1 / GPIO_A[7]
115	SDO2/GPIO_A8	I/O	Serial data output 2 / GPIO_A[8]
116	SCK2/GPIO_A9	I/O	Serial clock input 2 / GPIO_A[9]
117	SFRM2/GPIO_A10	I/O	Serial frame 2 / GPIO_A[10]
118	SDI2/GPIO_A11	I/O	Serial data input 2 / GPIO_A[11]
119	VDDI	-	Digital power supply for internal core (1.8 V)
120	VSSI	-	Digital ground for internal
121	EXINT0/GPIO_A12	I/O	External interrupt request [0] / GPIO_A[12]
122	EXINT1/GPIO_A13	I/O	External interrupt request [1] / GPIO_A[13]
123	EXINT2/GPIO_A14	I/O	External interrupt request [2] / GPIO_A[14]
124	EXINT3/GPIO_A15	I/O	External interrupt request [3] / GPIO_A[15]
125	XD0	I/O	External bus data bit [0]
126	XD1	I/O	External bus data bit [1]
127	XD2	I/O	External bus data bit [2]
128	XD3	I/O	External bus data bit [3]

## ■ AAT4618IGV-0.5-1 (USB ASSY : IC771)

- Load Switching IC

### ● Pin Arrangement (Top view)



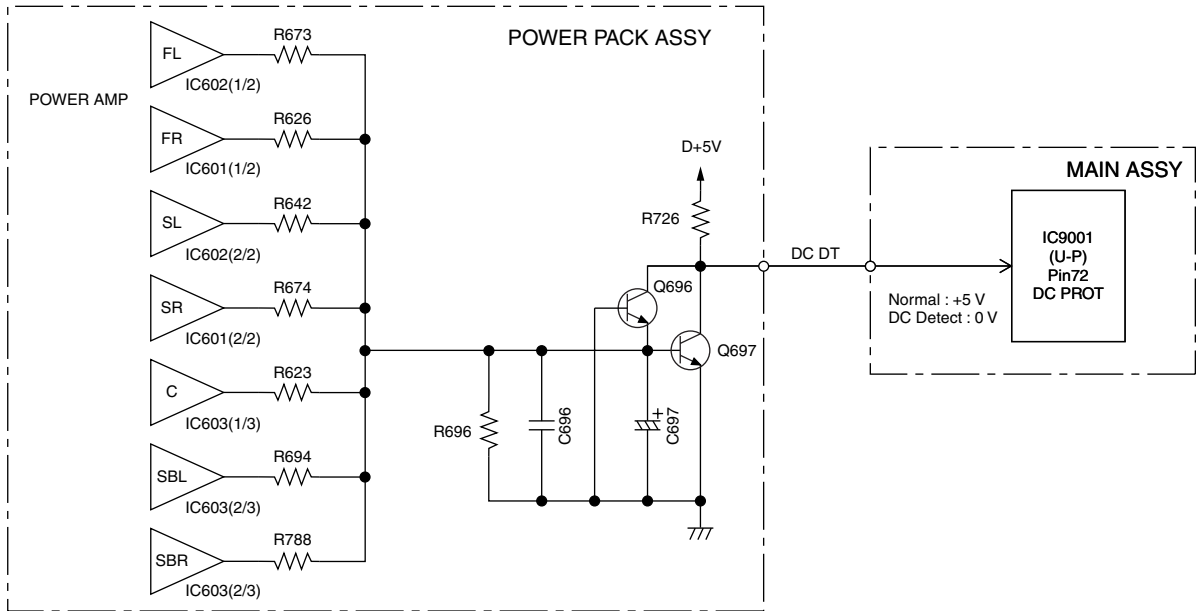
### ● Pin Function

No.	Pin Name	I/O	Pin Function
1	OUT	O	P-channel MOS FET drain
2	GND	-	Ground
3	FAULT	O	Open-drain FAULT output
4	ON (ON)	I	Enable input: 4618 active low, 4618- active high
5	IN	I	P-channel MOS FET source

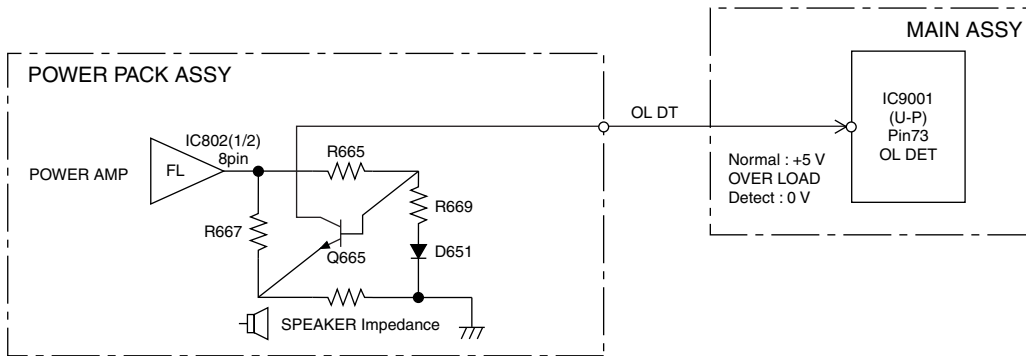
# 7.3 EXPLANATION

## 7.3.1 DETECTION CIRCUIT

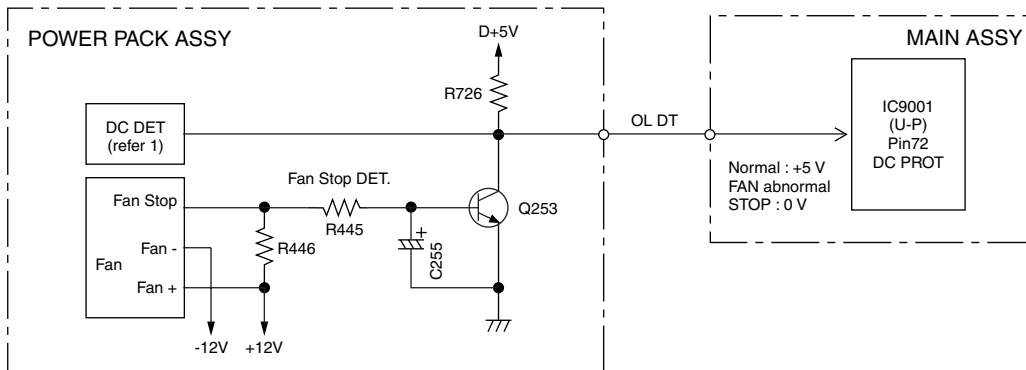
1. DC Derection Circuit Diagram : Example of VSX-816/KUXJ/CA



2. Overload Detection Circuit Diagram: Example of VSX-816/KUXJ/CA FRONT Channel



3. Fan Stop Protection Circuit Diagram



### 4. XPROTECT Detection Circuit Diagram

A When below 6 kind of voltage supply become to be short circuit to GND, XPROTECT circuit work and U-P input port voltage change from +5 V to 0 V. The U-P detect this condition as ERROR.

- Voltage supply to POWER AMP IC (V neck+)
- Voltage supply to POWER AMP IC (V neck-)
- Voltage supply to POWER AMP IC (VH+)
- Voltage supply to POWER AMP IC (VH-)
- Voltage supply to +12 V REGULATOR IC
- Voltage supply to -12 V REGULATOR IC

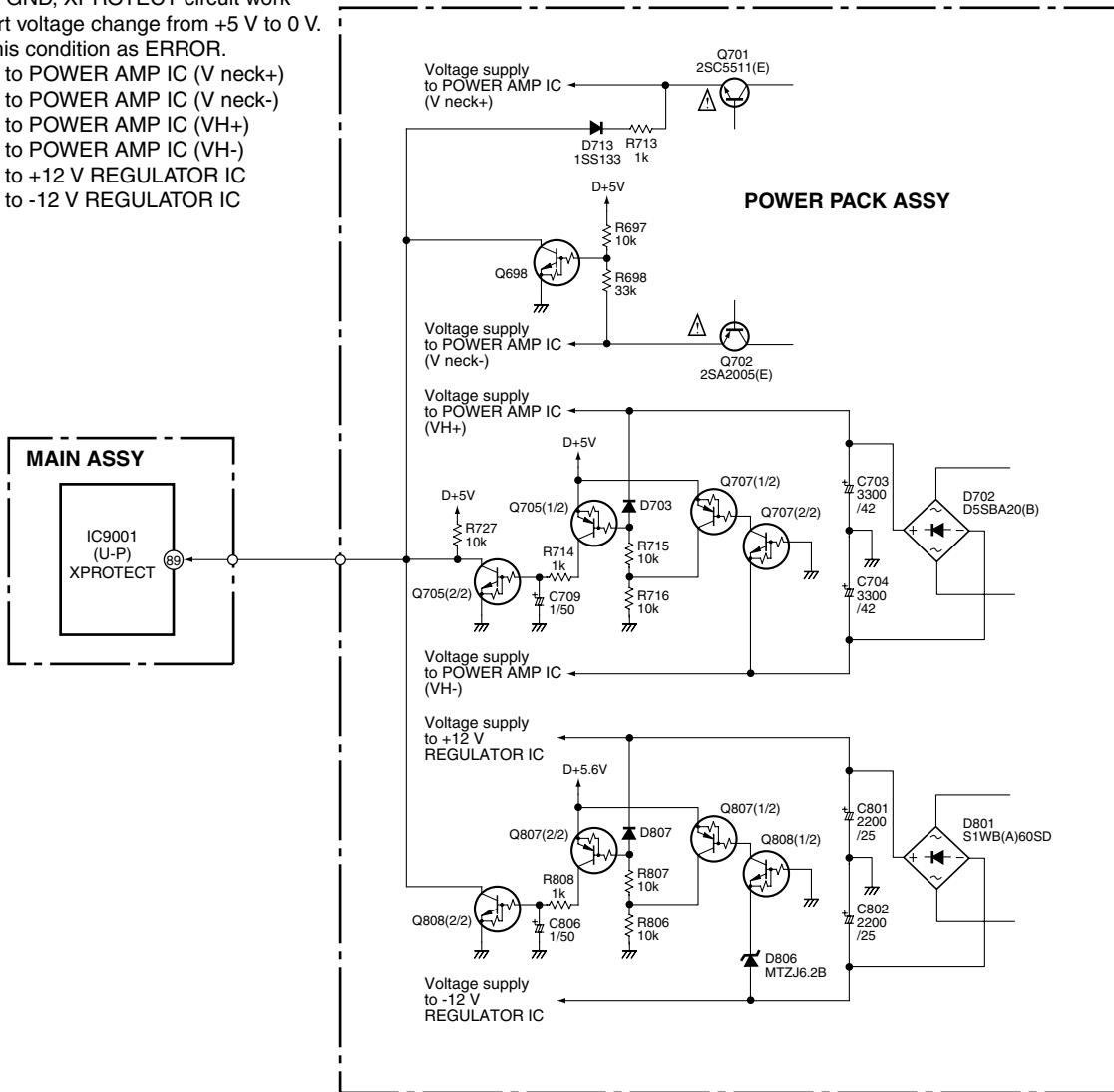
B

C

D

E

F

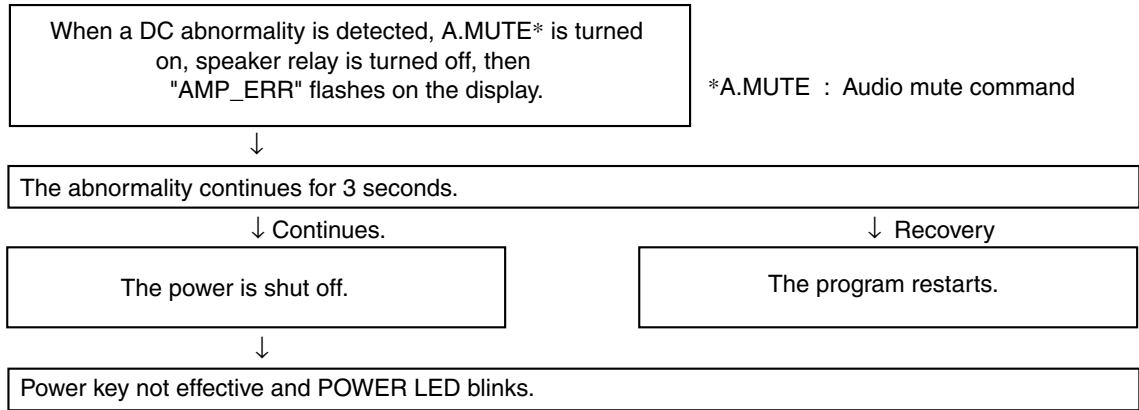




### 1. DC-abnormality detection

DC detection is only enabled 2 seconds after power-on.  
 If there is a fault in the power amplifier or a high-level signal lower than 5 Hz is input, the DC\_DET port becomes "L".  
 If the "L" is detected, the microprocessor will perform as following flow chart.

In the case of simultaneous detection with the overload protection circuit, DC-abnormality detection is performed preferentially to overload detection.



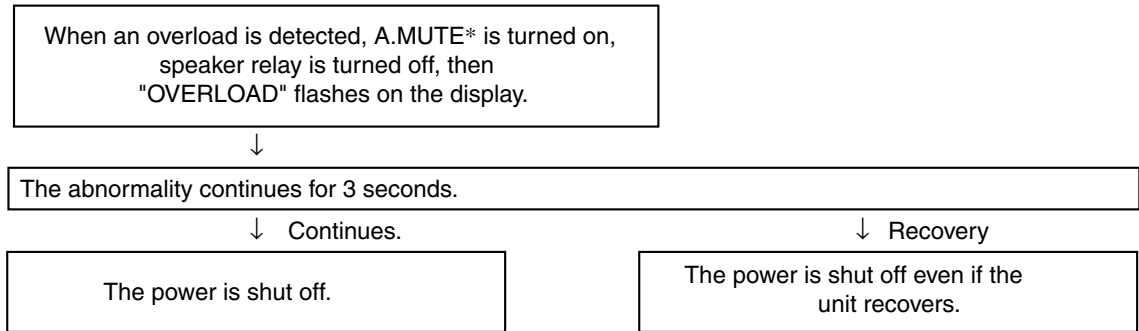
However, when the following keys are pushed so that the key input of a line and the service can be carried out, power can be on.

- ① TESTMODE ON (A55F+A55F)
- ② When power off, push FRONT ENTER key + ADVANCED SURROUND key continuously 2sec.  
 (②: When a DC abnormality is detected and the power is shut off.)

Any other key input from front panel or remote control will not be detected.

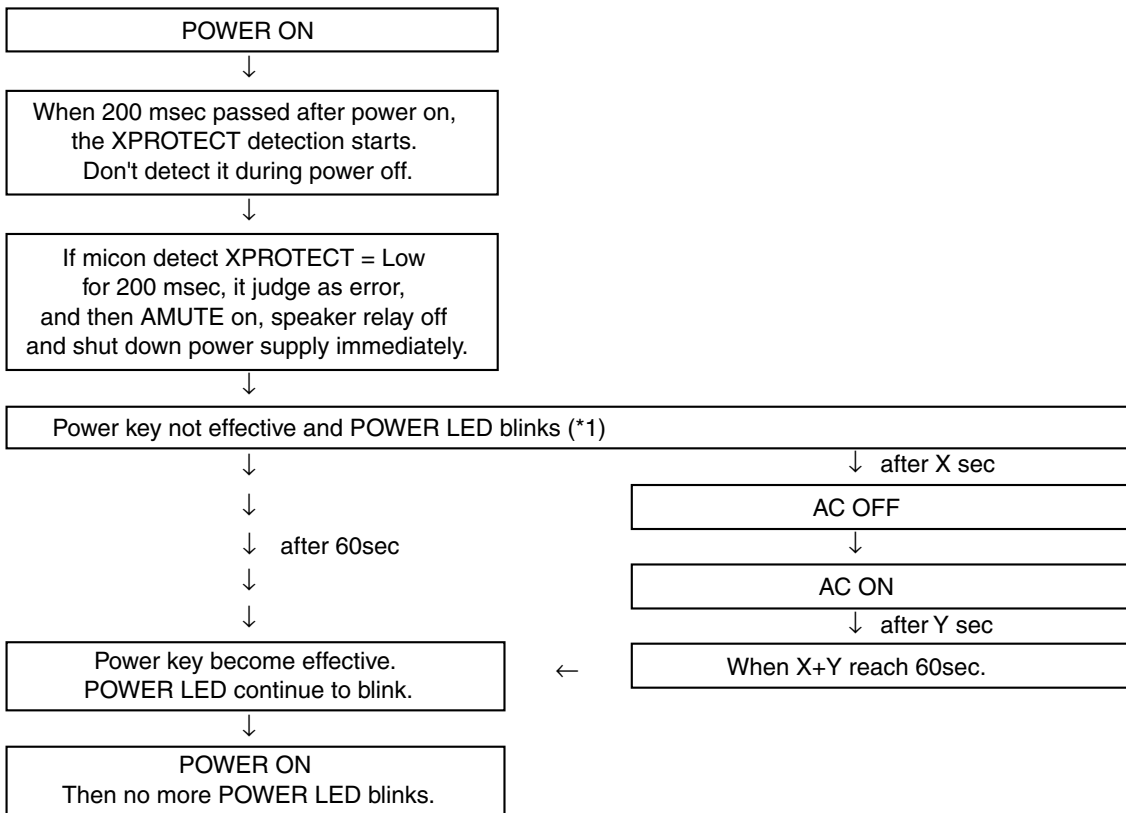
### 2. Overload detection

If the speaker terminals are short-circuited or low-load driving is detected, the OL\_DET port becomes "L".  
 If the "L" is detected, the microprocessor will perform as following flow chart.



### 3. XPROTECT detection

XPROTECT is started to be monitored 200msec after power on.  
 XPROTECT port is checked every 20msec.  
 If Low level (ERROR) is recognized during consecutive 9 times, micon judge it as XPROTECT ERROR.  
 It processes more preferentially than DC abnormal detection and overload detection.

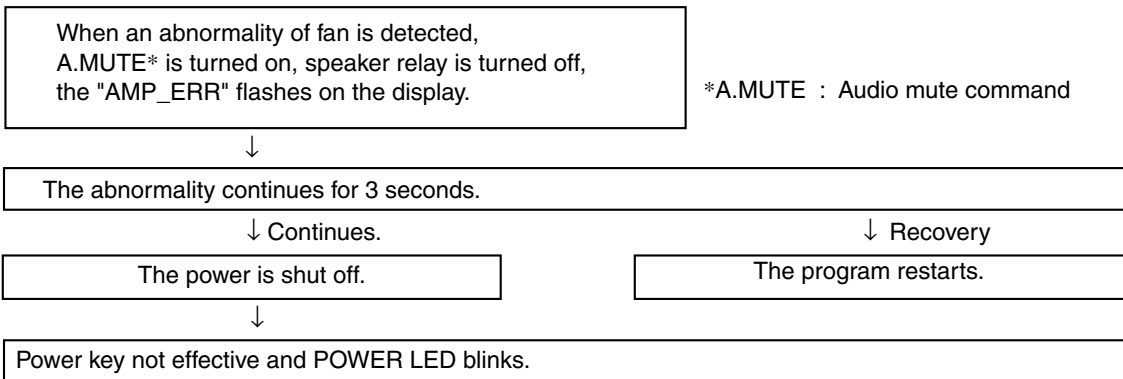


(\*1) However, when the following keys are pushed so that the key input of a line and the service can be carried out, power can be on.

- ① TESTMODE ON (A55F+A55F)
  - ② When power off, push FRONT ENTER key + ADVANCED SURROUND key continuously 2sec.  
 (Effective, only when power-off is carried out by DC detection / XPROTECT detection)
- Any other key input from front panel or remote control will not be detected.

### 4. Fan stop detection operation flow in the DC abnormality detection

If the fan is forcibly stopped, the 'DC PROT' port becomes "L". Then an abnormality of fan is detected.



However, when the following keys are pushed so that the key input of a line and the service can be carried out, power can be on.

- ① TESTMODE ON (A55F+A55F)
- ② When power off, push FRONT ENTER key + ADVANCED SURROUND key continuously 2sec.  
 (Effective, only when power-off is carried out by DC detection)

### 7.3.3 AMPLIFIER FAILURE DIAGNOSIS FLOW CHART

#### ■ Amplifier failure diagnosis flow chart

When DC detection is activated ("AMP\_ERR" flashes on the display), failure (damage) of the power amplifier section is considered.

As DC detection and fan stop protection circuits commonly use same abnormality detection port in microprocessor, please make sure that the operation of fan motor is in normal condition before proceeding to the troubleshooting of amplifier.

#### **Caution:**

**When releasing the lock state of power key before repair, please be careful because there is the possibility that more damages will occur when turning on the power once again!**

• According to a symptom, perform the following confirmation beforehand.

1) Is the operation of fan motor in normal condition?

↓

2) Are there any Fuses and IC protectors open?

↓

3) After turn on the power, confirm that the supply voltage of the point that can be measured is appropriate. (Particularly the supply voltage of the power Tr and drive step)

↓

4) Whether the voltage of pin3 of IC600, IC601, IC602 or IC603 is equal to (VL-0.7V). If not (eg, equal to VH), then change the corresponding power pack IC600, IC601, IC602 or IC603.

↓

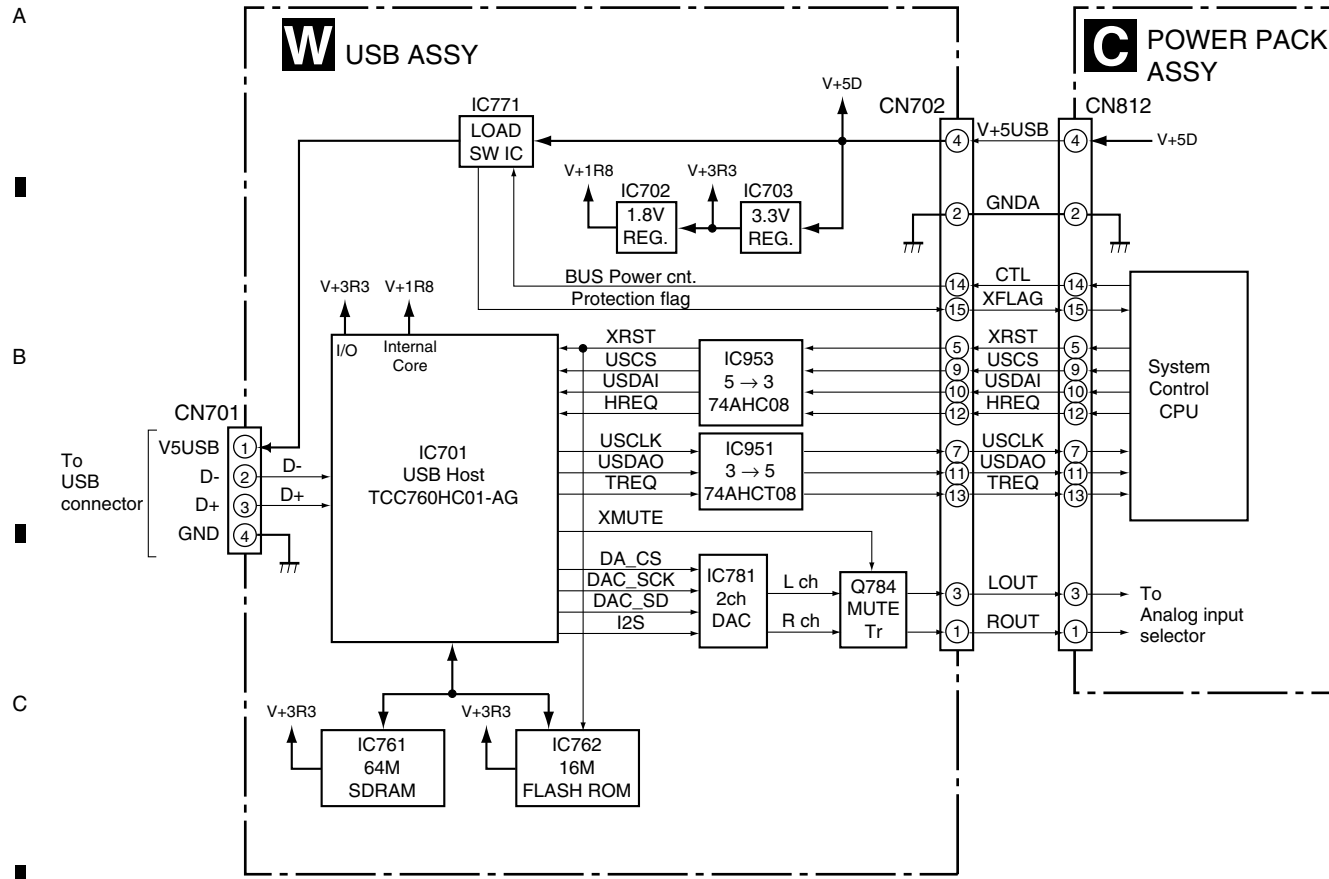
5) Furthermore, check the output DC voltage of each channel of power pack IC600, IC601, IC602 and IC603 to limit the failure channel and identify the defect power pack.

↓

• After identify the failure channel, check that each part is not damaged (resistor, diode... etc. value / open / short)

# 7.3.4 USB Module

## 7.3.4.1 Block Diagram



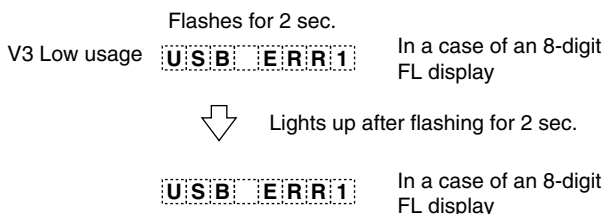
Main parts	Purpose
<b>TCC760HC01-AG</b>	: USB Host control decoder (MP3/WMA/MPEG-4AAC)
<b>16M FLASH ROM</b>	: Firmware is stored
<b>64M SDRAM</b>	: Temporary storage area of decoding music file
<b>LOAD SWITCH</b>	: Current limitation to USB device power
<b>2ch DAC</b>	: D/A converter for analog output

### Description of Error Indications

FL Display	Error Content	Possible causes and actions to be taken
USB ERROR1 USB ERR1	Detection of overcurrent to a USB device	Overcurrent (500 mA or more) is consumed at the connected USB device. • Some USB devices, such as a portable HDD, need more current than that this unit supplies. (Use the AC adaptor for the connected USB device.) • The USB power is short-circuited.
USB ERROR2 USB ERR2	Detection of a medium not supported	A USB device that this unit does not support (other than the MSC Class) is connected (such as a mouse, printer, or digital camera). • Connect a mass storage class USB device.
USB ERROR3 USB ERR3	Communication error with the system microcomputer	Communication between TCC760HC01-AG (IC701) and PDC**** (IC****) failed. • Defective connection (connectors) inside this unit • See STEP 3 of Troubleshooting.

#### Operations when overcurrent to a USB device is detected

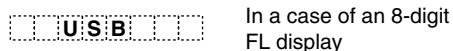
- Overcurrent to a USB device is detected at the port for the microcomputer.
- The power supply to the USB device is stopped.
- Control of 5 V power is disabled at the port for the microcomputer.
- Change of indications on the FL display



- To supply power to the USB module again:

- Turn the power to the unit off then back on.
- Set the function setting to anything other than USB then back to USB.
- Press the USB play key on the remote control unit.

- After overcurrent is detected, if the USB play key is pressed while the error indication is displayed, power supply to the USB module is restored. If overcurrent is no longer detected, the indications shown below are displayed (normal indication):

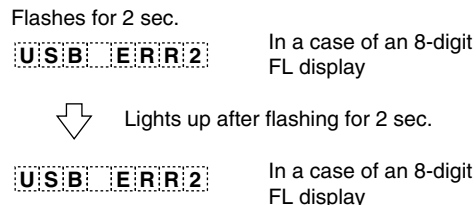


In this state, flashing of "USB ERROR1" stops, but playback will not start. To start playback, press the USB play key again.

In the above case, if overcurrent is detected again, the above procedures 1 through 4 are repeated.

#### In a case where a medium not supported is connected

- Change of indications on the FL displays

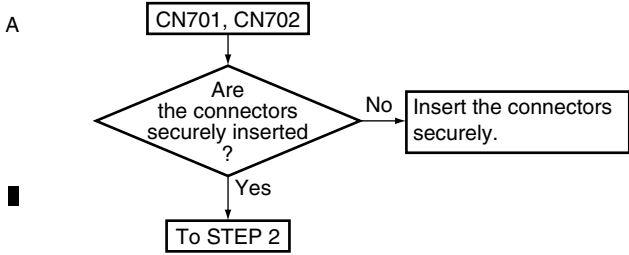


If overcurrent is detected before detection of a non-supported medium, the error indication "USB ERROR1" remains, as the power supply to the USB module is stopped.

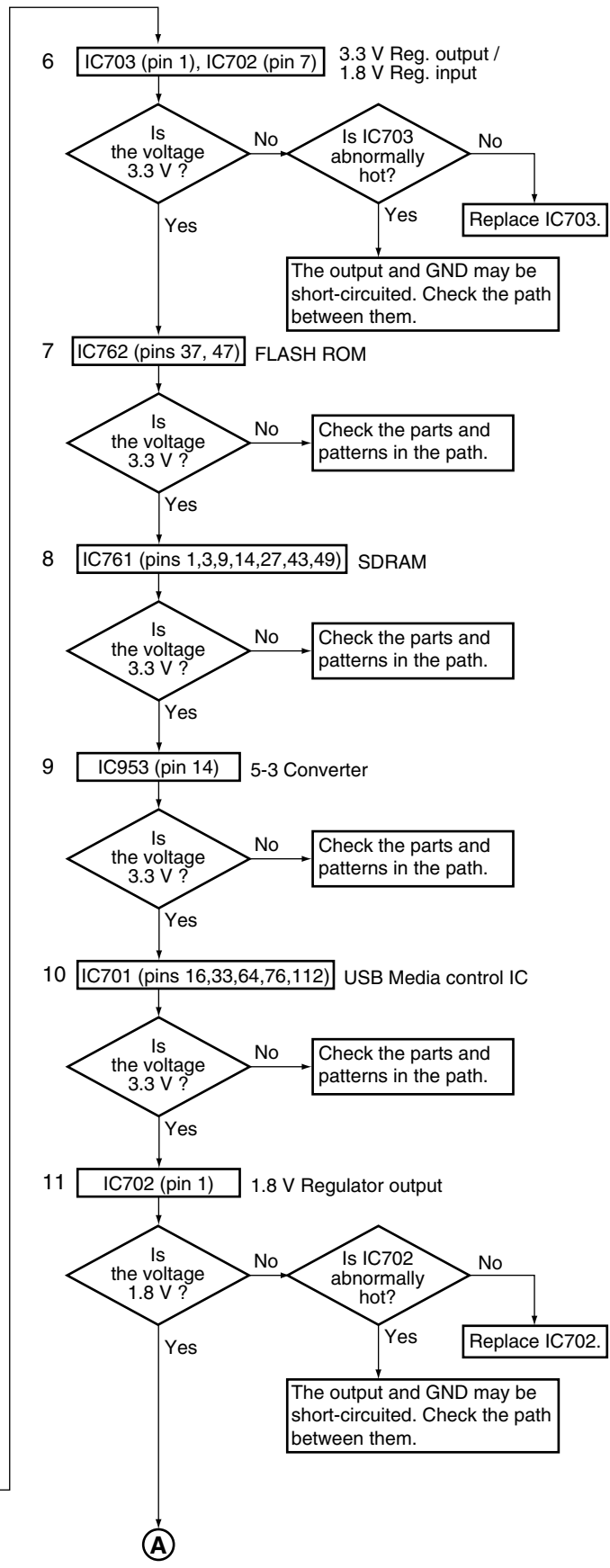
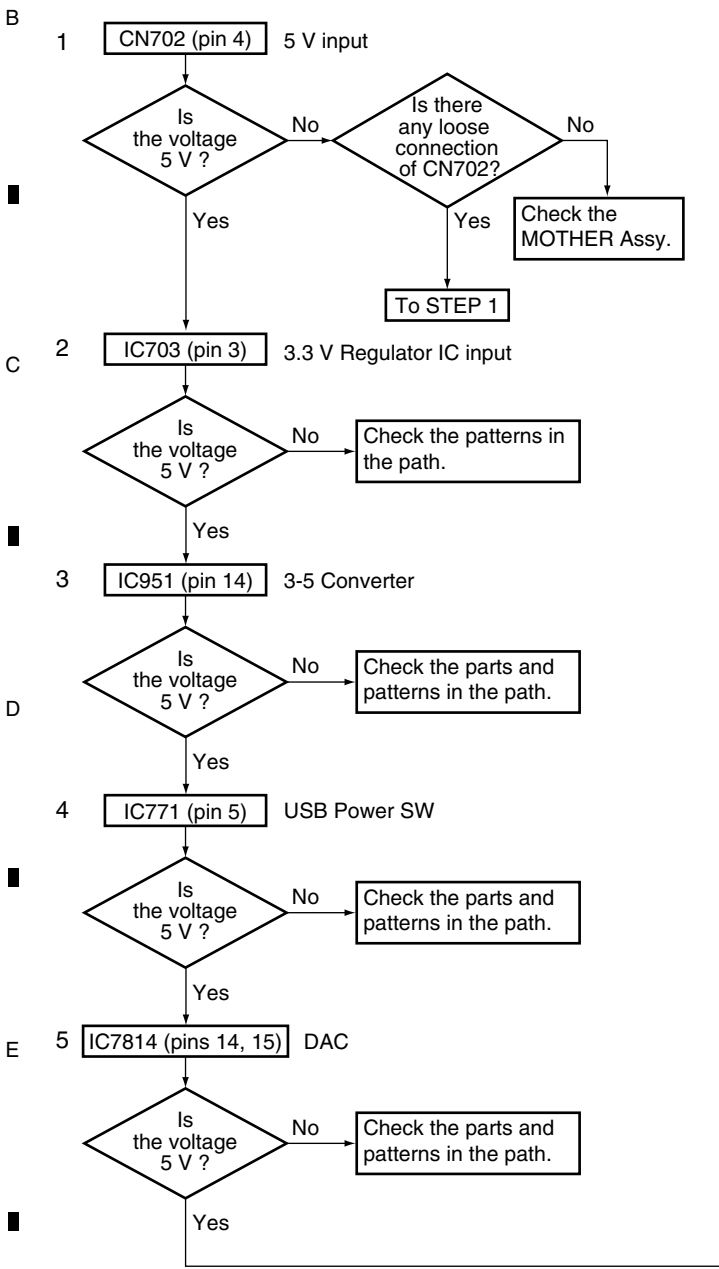
#### On supported media

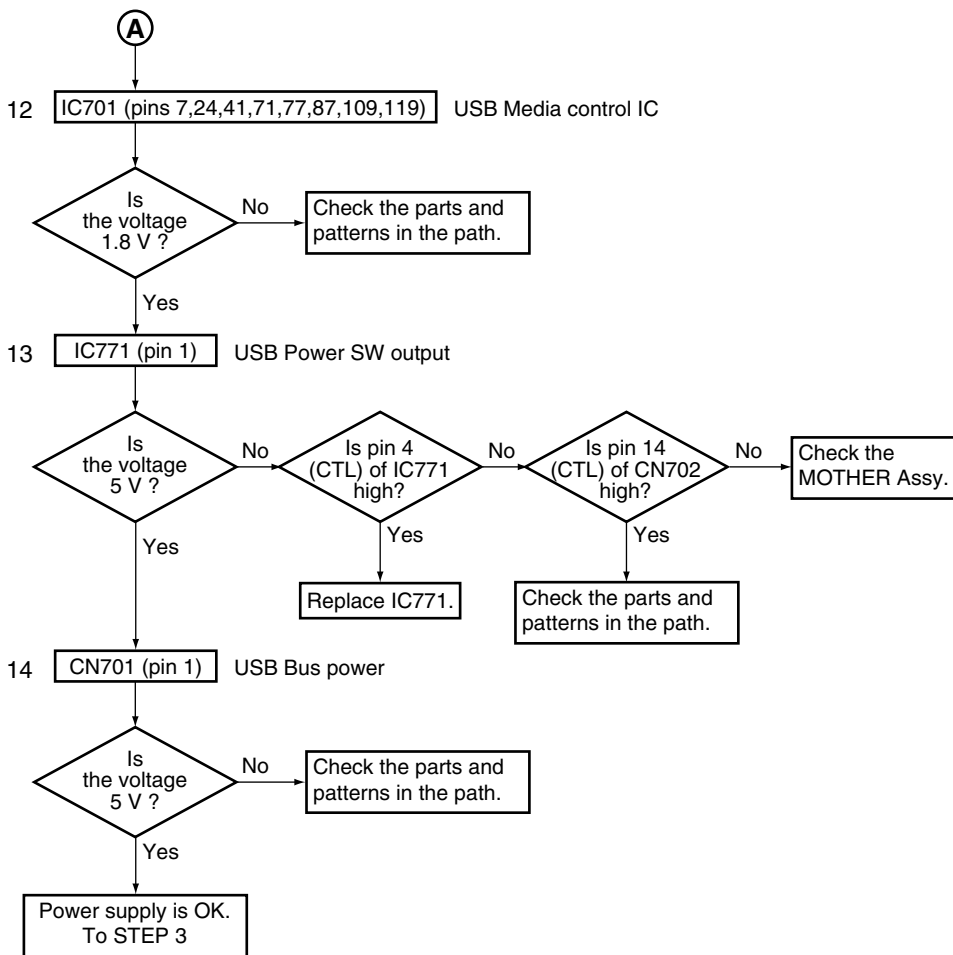
The formats of supported media that can be played back on this unit are MP3, WMA, and AAC. Some media in MPEG4 can also be played back. As AAC derives from MPEG4 codec, playback of media in AAC codec of MPEG4 is possible.

**Step 1: Connectors**



**Step 2: Power supply**





**Step 3: Operation of USB Media control IC**

**Note:** Please confirm it with the USB memory connected for the content.

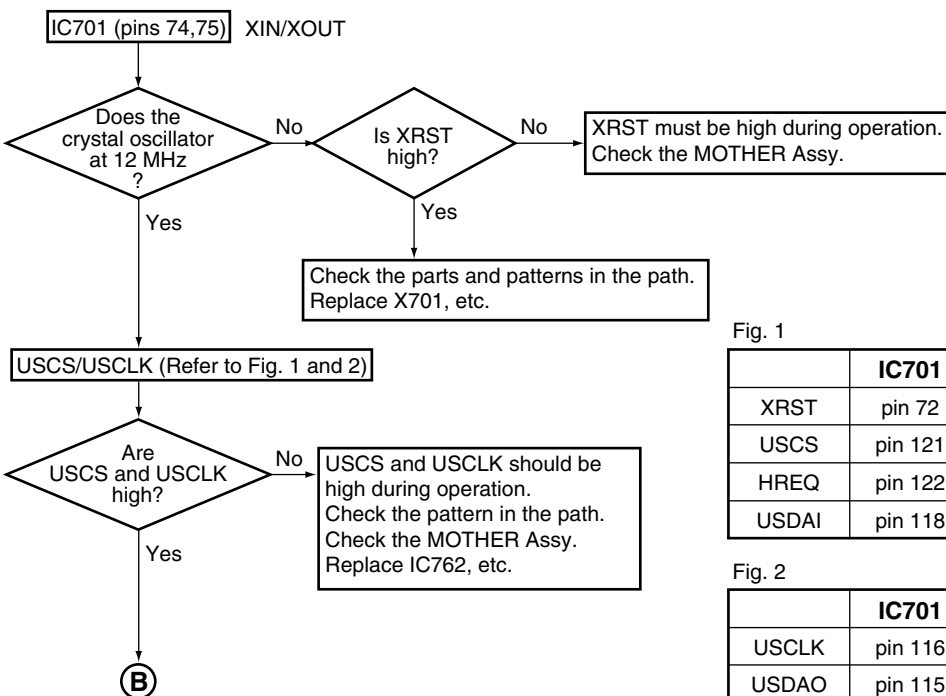


Fig. 1

	IC701	IC953 (5 V → 3 V)	CN702
XRST	pin 72	pin 3	pins 1,2 pin 5
USCS	pin 121	pin 11	pins 12,13 pin 9
HREQ	pin 122	pin 6	pins 4,5 pin 12
USDAI	pin 118	pin 8	pins 9,10 pin 10

Fig. 2

	IC701	IC951 (3 V → 5 V)	CN702
USCLK	pin 116	pins 4,5 pin 6	pin 7
USDAO	pin 115	pins 9,10 pin 8	pin 11
TREQ	pin 123	pins 12,13 pin 11	pin 13

(B)

HREQ/TREQ (Refer to Fig. 1 and 2)

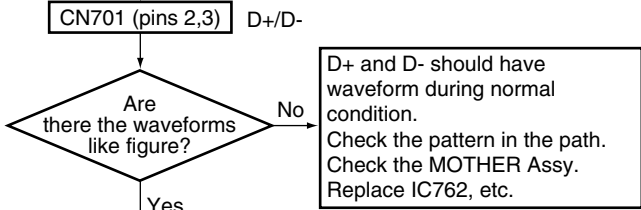
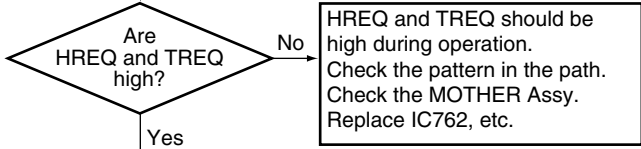
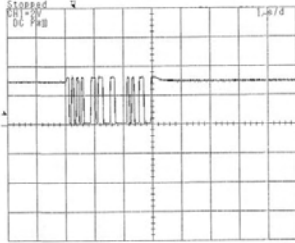
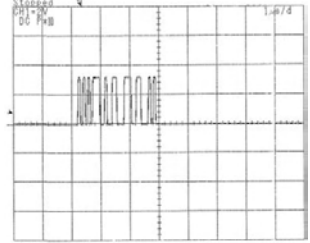


Fig. D+



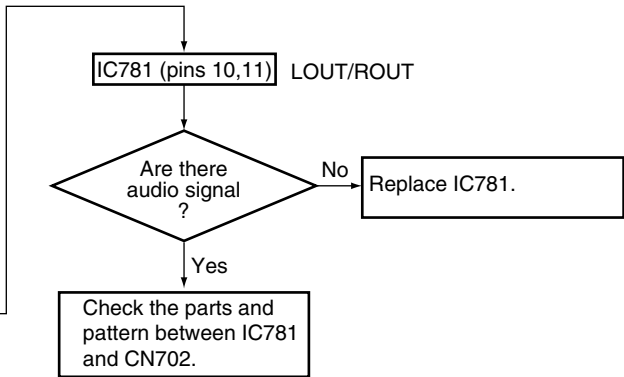
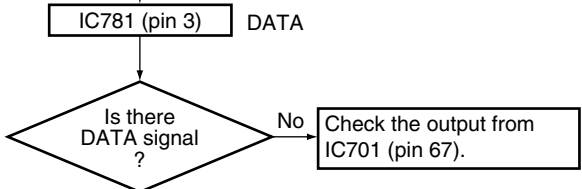
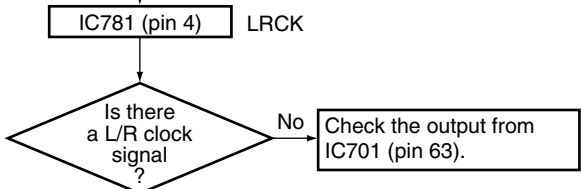
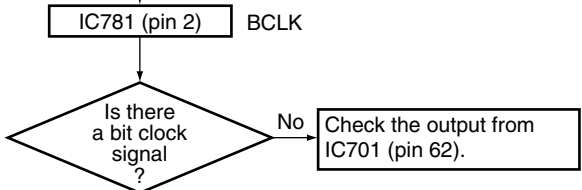
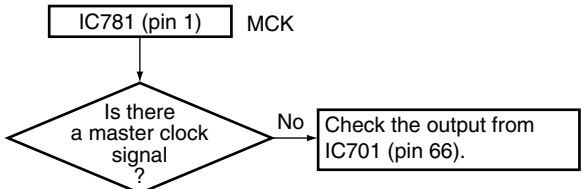
X: 1 μsec/div, Y: 2 V/div

Fig. D-



X: 1 μsec/div, Y: 2 V/div

Step 4: Audio Out check





### ■ Explanation

With this unit, updating of the firmware of the USB module can be performed, using a USB memory stick. However, if the hardware of the flash memory that stores the firmware or the firmware itself has a problem, updating cannot be performed in a manner described below. In such a case, replacement of the flash memory is required.

### ■ Procedures

1. Turn the unit on then set the function setting to USB function.
2. Insert the USB memory stick that contains the "player.rom" file.\*
3. "LOADING" is indicated on the FL display.
4. "UPDATE" is indicated on the FL display.
5. Wait until "FINISH" is indicated on the FL display.
6. Remove the USB memory stick then set the function setting to anything other than USB.
7. Return the function setting to USB function and wait for about 5 seconds in order to obtain the version data of the USB firmware.
8. Turn the unit off (Standby mode).
9. Check the version ("U\_xxxxx" is suffixed to the version indication).  
If the version is not updated, the data for the new version may not have been obtained in Step 7. Repeat Step 7 and the subsequent steps.

#### Notes \* :

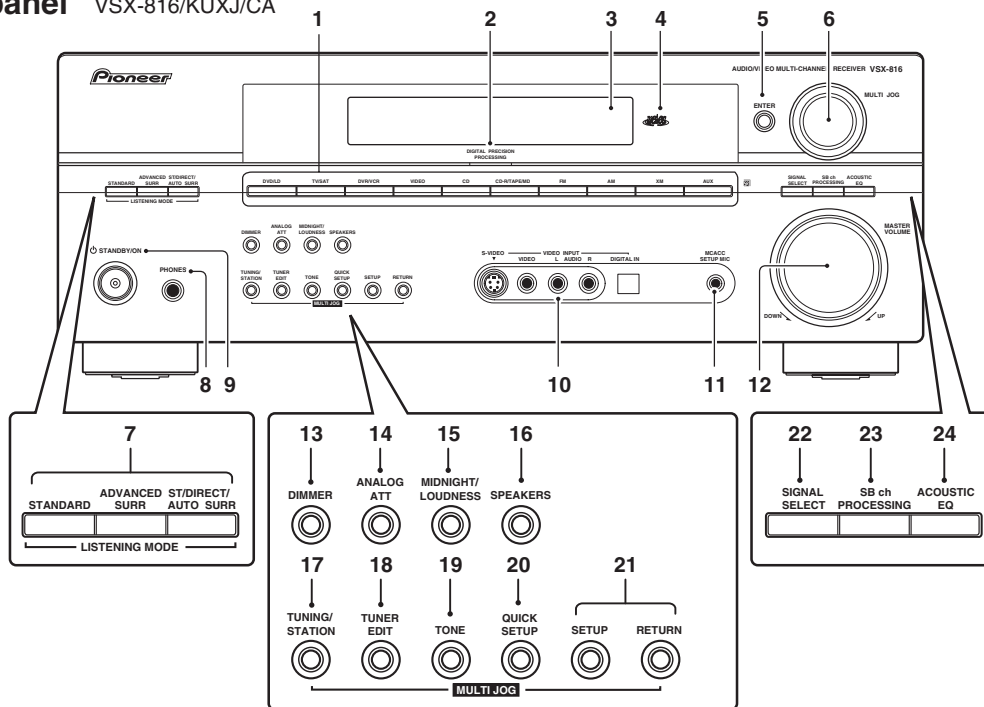
- Never reinsert the USB memory stick that contains the "player.rom" file.
- In a rare case, depending on the type of USB memory stick, the above-mentioned updating procedures are not possible. In such a case, try with other type of USB memory stick.

#### Importance:

- Never change the function setting or turn the power off during the process of Steps 3 through 5. If you do, loading of the firmware will fail, and updating procedures cannot be continued. In such a case, replacement of the flash memory is required.

# 8. PANEL FACILITIES

## Front panel VSX-816/KUXJ/CA



### 1 Input select buttons

Press to select an input source.

### 2 Digital Precision Processing indicator

Lights to indicate digital processing.

### 3 Character display

See Display.

### 4 MCACC indicator

Lights when Acoustic Calibration EQ is on (Acoustic Calibration EQ is automatically set to **ALL CH ADJUST** after the Auto MCACC Setup or EQ Auto Setup.

### 5 ENTER

### 6 MULTI JOG dial

Use the **MULTI JOG** dial to select various settings and menu options.

### 7 LISTENING MODE buttons

**STANDARD** - Press for Standard decoding and to switch between the various Pro Logic IIx and Neo:6 options.

**ADVANCED SURR** - Use to switch between the surround modes.

### ST/DIRECT/AUTO SURR

Selects stereo/direct playback. Also selects Auto Surround (Auto playback) and XM Surround.

### 8 PHONES jack

Use to connect headphones (when connected, there is no sound output from the speakers).

### 9 STANDBY/ON

Switches the receiver between on and standby.

### 10 VIDEO INPUT

See Connecting to the front panel video terminal.

### 11 MCACC SETUP MIC jack

Use to connect the supplied microphone.

### 12 MASTER VOLUME dial

### 13 DIMMER

Dims or brightens the display.

### 14 ANALOG ATT

Attenuates (lowers) the level of an analog input signal to prevent distortion.

### 15 MIDNIGHT/LOUDNESS

Switches between Midnight and Loudness listening.

### 16 SPEAKERS

Use to change the speaker system and the impedance setting.

### 17 TUNING / STATION

Selects the frequency and station presets when using the tuner.

### 18 TUNER EDIT

Press to memorize and name a station for recall.

### 19 TONE

Press this button to access the bass and treble controls, which you can then adjust with the **MULTI JOG** dial.

### 20 QUICK SETUP

See Using the Quick Setup.

### 21 System Setup menu controls

**SETUP** - Use with the **MULTI JOG** dial to access the System Setup menu.

**RETURN** - Press to confirm and exit the current menu.

### 22 SIGNAL SELECT

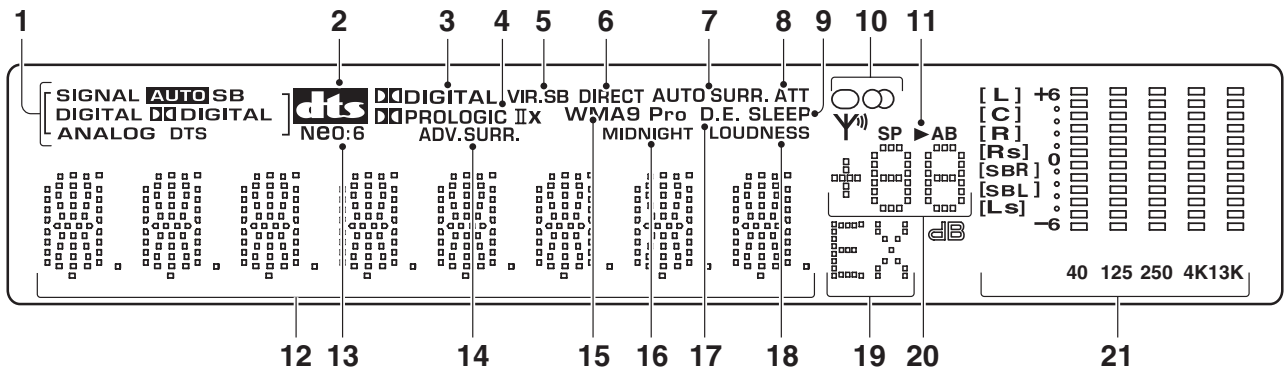
Use to select an input signal.

### 23 SBch PROCESSING

Selects surround back channel processing or the virtual surround back mode.

### 24 ACOUSTIC EQ

Press to select an Acoustic Calibration EQ setting.



**1 SIGNAL indicators**

Lights to indicate the type of input signal:

- AUTO** - Lights when **AUTO** signal select is on.
- SB** - Depending on the source, this lights when a signal with surround back channel encoding is detected.
- DIGITAL** – Lights when a digital audio signal is detected.
- DIGITAL** – Lights when a Dolby Digital encoded signal is detected.
- ANALOG** – Lights when an analog signal is detected.
- DTS** – Lights when a source with DTS encoded audio signals is detected.

**2**

When the **STANDARD** mode is on, this lights to indicate decoding of a DTS multichannel signal.

**3**

When the **STANDARD** mode of the receiver is on, this lights to indicate decoding of a Dolby Digital multichannel signal.

**4**

When the **STANDARD** Pro Logic II mode of the receiver is on, lights to indicate Pro Logic II decoding. lights to indicate Pro Logic IIx decoding (see Listening in surround sound ).

**5 VIR.SB**

Lights during Virtual surround back processing.

**6 DIRECT**

Lights when source direct playback is in use. Direct playback bypasses the tone controls for the most accurate reproduction of a source.

**7 AUTO SURR.**

Lights when Auto Surround (see Auto playback) or XM Surround is on.

**8 ATT**

Lights when **ANALOG ATT** is used to attenuate (reduce) the level of the analog input signal.

**9 SLEEP**

Lights when the sleep mode is active (see Remote control below).

**10 Tuner indicators**

- Lights when the mono mode is set using the **MPX** button.
- Lights when a stereo FM broadcast is being received in auto stereo mode.
- Lights when a broadcast is being received.

**11 Speaker indicators**

Lights to indicate the current speaker system, **A** and/or **B** .

**12 Character display**

**13 Neo:6**

When the **(STANDARD)** Neo:6 mode of the receiver is on, this lights to indicate Neo:6 processing.

**14 ADV.SURR. (Advanced Surround)**

Lights when one of the Advanced Surround modes has been selected.

**15 WMA9 Pro**

Lights to indicate decoding of a WMA9 Pro signal.

**16 MIDNIGHT**

Lights during Midnight listening.

**17 D.E.**

Lights when Dialog Enhancement (**DIALOG E**) is switched on.

**18 LOUDNESS**

Lights during Loudness listening .

**19 EX**

Lights when a Dolby Digital Surround EX encoded signal is detected.

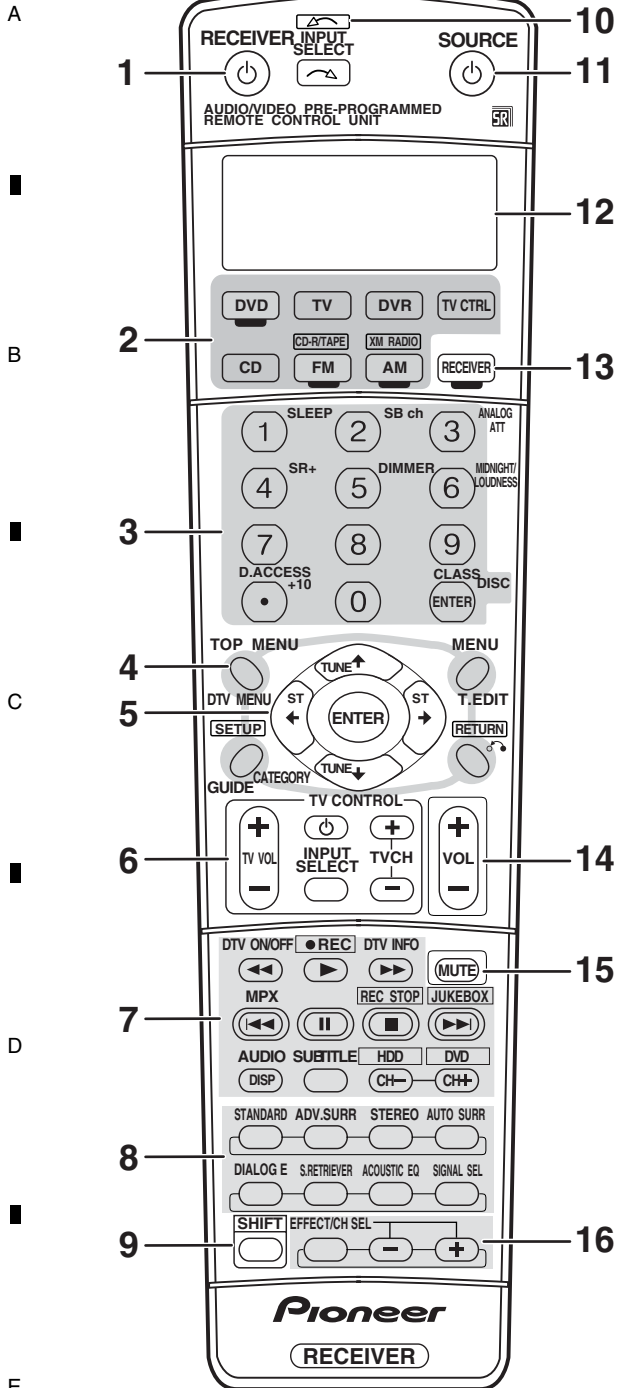
**20 Master volume level**

Shows the overall volume level.

**21 MCACC channel EQ / Sound Retriever indicators**

These indicators show the EQ balance for each channel in Checking your Acoustic Calibration EQ settings. Also, **L** and **R** light when the Sound Retriever is active.

## Remote control VSX-816/KUXJ/CA



### 1 RECEIVER

This switches between standby and on for this receiver.

### 2 MULTI CONTROL buttons

Press to select control of other components (see Controlling the rest of your system).

### 3 Number buttons and other receiver/component controls

Use the number buttons to directly select a radio frequency or the tracks on a CD, DVD, etc.

**DISC (ENTER)** can be used to enter commands for TV or DTV, and can also be used to select a disc in a multi-CD player.

The following are accessed by pressing the **RECEPTOR** button first:

**SLEEP** - Press to change the amount of time before the receiver switches into standby (90 min - 60 min - 30 min - Off).

You can check the remaining sleep time at any time by pressing **SLEEP** once.

**SB ch** - Selects the surround back channel mode or virtual surround back mode.

**ANALOG ATT** - Attenuates (lowers) the level of an analog input signal to prevent distortion.

**SR +** - Switches the SR+ mode on/off.

**DIMMER** - Dims or brightens the display.

**MIDNIGHT/LOUDNESS** - Use Midnight when listening to movie soundtracks at low volume. Use Loudness to boost the bass and treble at low volume.

**D.ACCESS** - After pressing, you can access a radio station directly using the number buttons.

**CLASS** - Switches between the three banks (classes) of radio station presets.

### 4 Tuner/component control buttons/SETUP

The following button controls (except **SETUP**) can be accessed after you have selected the corresponding **MULTI CONTROL** button (**DVD**, **FM**, **AM**, **TV**, etc.)

**TOP MENU** - Displays the disc 'top' menu of a DVD.

**DTV MENU** - Displays menus on a digital TV.

**MENU** - Displays the disc menu of DVD-Video discs. It also displays TV and DTV menus.

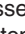
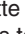


**T.EDIT** - Press to memorize and name a station for recall.

**SETUP** (Press **RECEPTOR** first to access) Use to access the System Setup menu.

**GUIDE** - Displays the guides on a digital TV.

**RETURN** - Press to confirm and exit the current menu (also use to return to the previous menu with DVDs or to select closed captioning with DTV).

### 5 (TUNE/ST +/-) /ENTER

Use the arrow buttons when setting up your surround sound system. Also used to control DVD menus/options and for deck 1 of a double cassette deck player. Use the **TUNE**  /  buttons to find radio frequencies and use **ST**  /  to find preset stations.

## 6 TV CONTROL buttons

These buttons are dedicated to control the TV assigned to the **TV CTRL** button. Thus if you only have one TV to hook up to this system assign it to the **TV CTRL MULTI CONTROL** button. If you have two TVs, assign the main TV to the **TV CTRL** button.

- TV** - Use to turn on/off the TV power.
- TV VOL +/-** - Use to adjust the TV volume.
- INPUT SELECT** - Use to select the TV input signal.
- TV CH +/-** - Use to select channels.

## 7 Component control buttons

The main buttons ( , , etc.) are used to control a component after you have selected it using the **MULTI CONTROL** buttons. The controls above these buttons can be accessed after you have selected the corresponding **MULTI CONTROL** button (for example **DVD**, **DVR** or **TV** (when connected to a DTV)).

- DTV ON/OFF** - Switches a digital TV on/off.
- DTV INFO** - Use to bring up information screens on a digital TV.
- MPX** - Switches between stereo and mono reception of FM broadcasts. If the signal is weak then switching to mono will improve the sound quality.
- AUDIO** - Changes the audio language or channel on DVD discs.
- DISP** - Switches between named station presets and radio frequencies.
- SUBTITLE** - Displays/changes the subtitles included in multilingual DVD-Video discs.
- CH +/-** - Use to select channels when using a TV, VCR, DVR, etc.

The following DVR controls can be accessed by pressing **SHIFT**:

- REC** - Starts recording.
- REC STOP** - Stops recording.
- JUKEBOX** - Switches to the Jukebox feature.
- HDD/DVD** - These buttons switch between the hard disk and DVD controls for DVD/HDD recorders.

## 8 RECEIVER CONTROL buttons

- STANDARD** - Press for Standard decoding and to switch between the various Pro Logic IIx and Neo:6 options.
- ADV.SURR.** - Use to switch between the various surround modes.
- STEREO** - Switches between direct and stereo playback. Direct playback bypasses the tone controls and any other signal processing for the most accurate reproduction of a source.
- AUTO SURR** - Selects Auto Surround (Auto playback) and XM Surround.
- DIALOG E** - Use to make dialog stand out when watching TV or a movie.
- S. RETRIEVER** - Press to restore CD quality sound to compressed audio sources.
- ACOUSTIC EQ** - Press to select an Acoustic Calibration EQ setting.
- SIGNAL SEL** - Use to select an input signal.

## 9 SHIFT

Press to access the DVR controls (above the component control buttons) as well as some receiver controls.

## 10 INPUT SELECT

Use to select the input source (use **SHIFT** for **INPUT SELECT** ).

## 11 SOURCE

Press to turn on/off other components connected to the receiver.

## 12 Character display (LCD)

This display shows information when transmitting control signals.

The following commands are shown when you're setting the remote to control other components (see Controlling the rest of your system):

- SETUP** - Indicates the setup mode, from which you choose the options below.
- PRESET** - See Selecting preset codes directly.
- DIRECT F** - See Direct function.
- ERASE** - See Erasing one of the remote control button settings.
- RESET** - See Erasing all of the remote control presets.
- READ ID** - See Confirming preset codes.

## 13 RECEIVER

Switches the remote to control the receiver (used to select the green commands above the number buttons (**DIMMER**, etc)). Also use this button to set up surround sound.

## 14 VOL +/-

Use to set the listening volume.

## 15 MUTE

Mutes the sound or restores the sound if it has been muted (adjusting the volume also restores the sound).

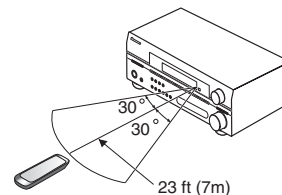
## 16 EFFECT/CH SEL

Press repeatedly to select a channel, then use +/- to adjust the level. Also adjusts the level of the Advanced Surround effects, Dolby Pro Logic IIx Music, and Neo:6 Music parameters. You can then use the +/- buttons to make these adjustments.

## Operating range of remote control

The remote control may not work properly if:

- There are obstacles between the remote control and the receiver's remote sensor.
- Direct sunlight or fluorescent light is shining onto the remote sensor.
- The receiver is located near a device that is emitting infrared rays.
- The receiver is operated simultaneously with another infrared remote control unit.

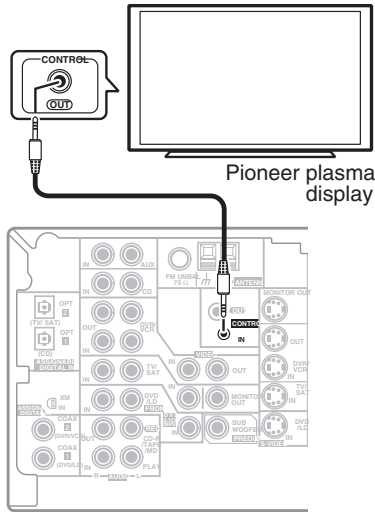
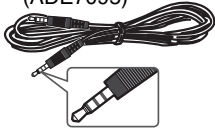


## Using this receiver with a Pioneer plasma display

If you have a Pioneer plasma display<sup>2</sup>, you can use an SR+ cable to connect it to this unit and take advantage of various convenient features, such as automatic video input switching of the plasma display when the input is changed.

### SERVICE PARTS

- SR+ mini-plug cable (ADE7095)



This receiver

- Use a 3-ringed miniplug SR+ cable<sup>1</sup> to connect the CONTROL IN jack of this receiver with the CONTROL OUT of your plasma display.

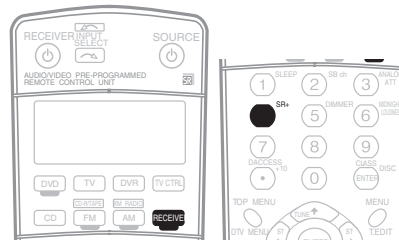
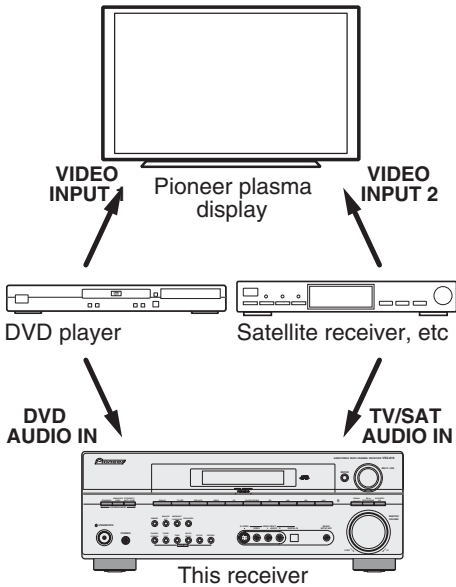
Before you can use the extra SR+ features, you need to make a few settings in the receiver. See SR+ Setup for Pioneer plasma displays for detailed instructions.

## Using the SR+ mode with a Pioneer plasma display

When connected using an SR+ cable, a number of features become available to make using this receiver with your Pioneer plasma display even easier. These features include:

- On-screen volume display.
- On-screen display of listening mode.
- Automatic video input switching on the plasma display.
- Automatic volume muting on the plasma display.<sup>2</sup>

See also SR+ Setup for Pioneer plasma displays for more on setting up the receiver.



- 1 Make sure that the plasma display and this receiver are switched on and that they are connected with the SR+ cable.

See Using this receiver with a Pioneer plasma display above for more on this.

- 2 To switch SR+ mode on/off, press RECEIVER, then the SR+ button.

The front panel display shows SR+ ON or OFF.

To make the most of the SR+ features, you should connect your source components (DVD player, etc.) in a slightly different way to that described in this chapter. For each component, connect the video output directly to the plasma display, and just connect the audio (analog and/or digital) to this receiver.

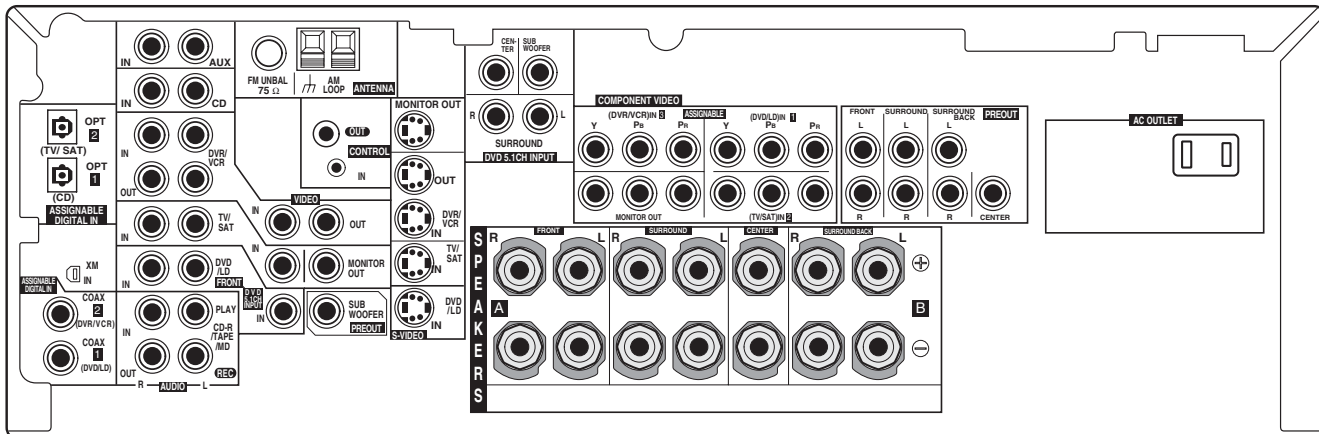
### Note

<sup>1</sup> The 3-ringed SR+ cable from Pioneer is commercially available under the part number ADE7095. Contact the Pioneer Customer Support division for more information on obtaining an SR+ cable (you can also use a commercially available 3-ringed mini phone plug for the connection).

If you connect to a Pioneer plasma display using an SR+ cable, you will need to point the remote control at the plasma display remote sensor to control the receiver. In this case, you won't be able to control the receiver using the remote control if you switch the plasma display off.

<sup>2</sup> The automatic volume muting feature is enabled separately; see SR+ Setup for Pioneer plasma displays.

VSX-816/KUXJ/CA



A  
B  
C  
D  
E  
F

# CLEANING



A

Before shipping out the product, be sure to clean the following positions by using the prescribed cleaning tools:

Position to be cleaned	Cleaning tools
Fans	Cleaning paper : GED-008

B

C

D

E

F