

# fp-9001d

## PowerPlant

### SERVICE MANUAL

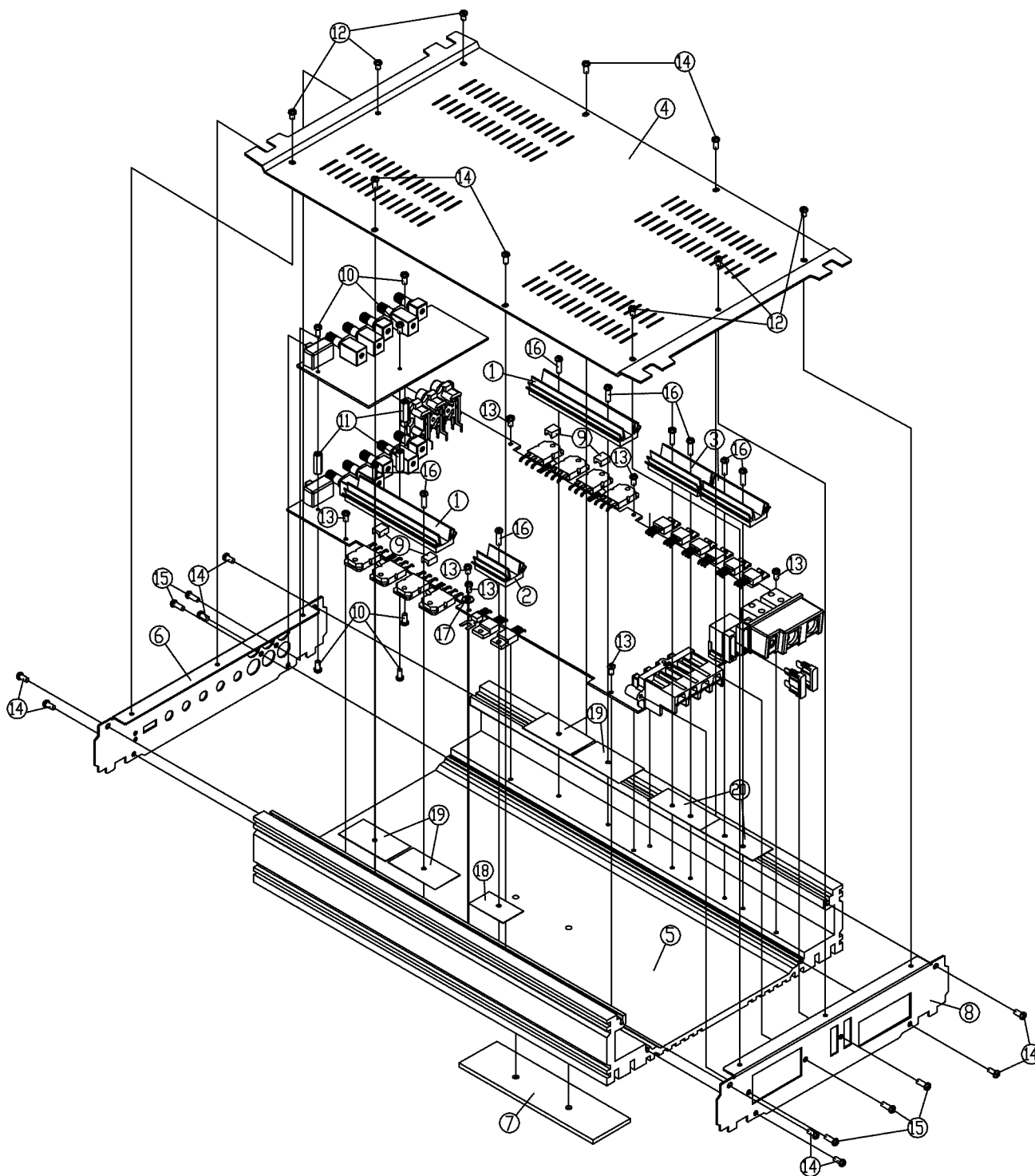


# FUSION®

# fp-series

## *PowerPlant*

### EXPLODED VIEW



Exploded View Parts List				
NO.	NAME	STAN	QUTY	CODE
1	BKTS 2184	AL 85X16	2	G-BKTS-2184-1
2	BKTS 2202	AL 29X16	1	G-BKTS-2202-1
3	BKTS 2203	AL 46X16	2	G-BKTS-2203-1
4	BOCA CBCP330-01	EGH1.2t 330X212	1	G-CBA-CBCP330
5	HSM HSPP004-01	PP-330mm	1	G-HSM-HSPP004
6	PFA PFPP002-01	EGH1.0t 216X45.5	1	G-PFA-PFPP002
7	BADGE	FUSION-LOGO	1	G-PLA-FUSION1
8	PRA PRPP004-01	EGH1.0t 216X45.5	1	G-PRA-PRPP004
9	SILICON RUBBER	6.4X4.3X8.0 BK	4	G-RUBS-4075-1
10	SCREW MACHINE	PH/M3X6 BK	6	G-SMPH003061
11	MAIN SPACER	HEX 5X15mm	3	G-SPC-515-1
12	SCREW TAPPING	PH3/T3X4 C BK	6	G-STPH303041C
13	SCREW TAPPING	PH3/T3X5 BK	8	G-STPH303051
14	SCREW TAPPING	PH3/T3X6 BK	12	G-STPH303061
15	SCREW TAPPING	PH3/T3X8 BK	5	G-STPH303081
16	SCREW TAPPING	PH3/T3X12 BK	9	G-STPH303121
17	WASHER PLATE	Ø3.2X8.0X1.0 ZN	1	G-SWWP3280101
18	SILICON RUBBER 19X32P	INS-2202	1	H-RUBS-32P-1
19	SILICON RUBBER 23.5X44P	INS-2182	4	H-RUBS-44P-2
20	SILICON RUBBER 19X49P	INS-2203	2	H-RUBS-49P-1



## PART LIST

NO	CODE	NAME	STAN	Q'TY	REMARK
1	B-BOND-SLCN-1	BOND SILICON RTV	CLS588 @βϕ	1.000	
2	B-FLUX-----1	FLUX NT2016	@50000	1.000	
3	B-IPA-----1	IPA 2070	15kg:@28,000 g	1.000	
4	B-SLDR-BAR--1	SOLDER BAR 60%	kg:\$4.7 g:\$0.0047	1.000	
5	B-SLDR-WIRE-1	SOLDER BAR 60%	kg:\$4.7 g:\$0.0047	1.000	
6	B-TUB-EMP1--1	TUBE EMPIRE	1mm/0.05 @20	1.000	TH1
7	H-BSBM-100151	COPER/T 2P/100MM	2T/15 BSBM	1.000	J7
8	H-BSBM-25-6-1	COPER TRACK 2P/25MM	2T/6 25MM	1.000	J1
9	H-BSBM-50-6-1	COPER TRACK	2P/50mm 2T/6 BSBM	1.000	J5
10	H-BSBM-75-151	COPER TRACK 2P/75MM	2T/15 75MM	1.000	J2
11	H-CER-100CHT1	CER CAP 100PF CH	TP TYPE	4.000	C104, C131, C204, C231
12	H-CER-150CHT1	CER CAP 150PF CH	TP TYPE	1.000	C153
13	H-CER-22CHT-1	CER CAP 22PF CH	TP TYPE	2.000	C103, C203
14	H-CS2012-1032	CER CHIP 103 X7R	2012 TYPE	3.000	CB1, CP7, CP12
15	H-CS2012-1042	CER CHIP 104 X7R	2012 TYPE	2.000	CP8, CP9
16	H-CS2012-1042	CER CHIP 104 X7R	2012 TYPE	1.000	CS3
17	H-CS2012-2202	CER CHIP 220P X7R	2012 TYPE	1.000	CS1
18	H-CS2012-3322	CER CHIP 332 X7R	2012 TYPE	1.000	CS11
19	H-CS2012-3342	CER CHIP 334 X7R	2012 TYPE	2.000	CS4, CS5
20	H-CS2012-47-2	CER CHIP 47P X7R	2012 TYPE	1.000	CS10
21	H-DIO-104---1	DIODE F/RECOVR FR104	FR104	10.000	D8, D9, D10, D11, D12,
22	H-DIO-104---1	DIODE F/RECOVR FR104	FR104	0.000	D13, D404, D405, D406, D407
23	H-DIO-4002--1	DIODE IN4002		1.000	D401
24	H-DIO-4148--1	DIODE IN4148M		8.000	D2, D3, D4, D402, D403,
25	H-DIO-4148--1	DIODE IN4148M		0.000	D5, D6, D7

## PART LIST

NO	CODE	NAME	STAN	Q'TY	REMARK
26	H-DIO-5402--1	DIODE IN5402		2.000	D410, D411
27	H-DIOC-4148-1	DIODE LL4148	CHIP 3513	6.000	DP1, DP2, DP3, DP4, DP5,
28	H-DIOC-4148-1	DIODE LL4148	CHIP 3513	0.000	DP6
29	H-DIOC-4148-1	DIODE LL4148	CHIP 3513	1.000	DS1
30	H-DIO-U30D20C	DIODE F/RECOVER	U30D20C	2.000	D408, D409
31	H-E01-50SRT-1	E C 0.1/50 4x7 SRA	TP TYPE	1.000	CP5
32	H-E100-16SHT1	E C 100/16 5x11 SHL	TP TYPE	1.000	C425
33	H-E100-16SRT2	E C 100/16 6.3x7 SRA	TP TYPE	3.000	CP1, CP2, CP13
34	H-E10-16SHT-1	E C 10/16 5x11 SHL	TP TYPE	7.000	C125, C132, C151, C232, C402,
35	H-E10-16SHT-1	E C 10/16 5x11 SHL	TP TYPE	0.000	C403, C418
36	H-E13-35SH--1	EC 1000/35 12.5x20 SHL		2.000	C406, C407
37	H-E1-50SHT--1	E C 1/50 5x11 SHL	TP TYPE	3.000	C122, C128, C129
38	H-E2.2-50SHT1	E C 2.2/50 5x11 SHL	TP TYPE	2.000	C169, C170
39	H-E2.2-50SRT1	E C 2.2/50 4x7 SRA	TP TYPE	1.000	CP4
40	H-E220-16SHT1	E C 220/16 6.3x11 SHL	TP TYPE	3.000	C165, C414, C415
41	H-E22-16SHT-1	E C 22/16 5x11 SHL	TP TYPE	4.000	C101, C102, C201, C202
42	H-E22-16SRT-1	E C 22/16 5x7 SRA	TP TYPE	1.000	CP3
43	H-E223-25SX-1	EC 2200/25 16x25 SXE		4.000	C409, C410, C411, C412
44	H-E33-200BP-1	EC 33/200 118x25 SSP-BP		1.000	C179
45	H-E333-63SM-1	EC 3300/63 25.4x30 SMH		2.000	C175, C176
46	H-E4.7-50SHT1	E C 4.7/50 5x11 SHL	TP TYPE	3.000	C121, C172, C173
47	H-E470-16SHT1	E C 470/16 8x11.5 SHL	TP TYPE	1.000	C157
48	H-E47-16SHT-1	E C 47/16 5x11 SHL	TP TYPE	3.000	C126, C152, C168
49	H-E47-25SHT-1	E C 47/25 5x11 SHL	TP TYPE	2.000	CX3, CX4
50	H-E473-80DL-1	EC 4700/80 35x30 DL		1.000	C185



## PART LIST

NO	CODE	NAME	STAN	Q'TY	REMARK
51	H-EC100-16MV1	EC 100/16 6.3x6 MV		1.000	CS8
52	H-EC33-16MV-1	EC 33/16 6.3x5 MV		2.000	CS7, CS9
53	H-FUS-40A---1	FUSE ATC-40A		2.000	FUSE1x2EA
54	H-FUS-HOPL231	HOLDER FUS DKF-08021	DOUBLE, PCB	1.000	FUSE1
55	H-IC-13700D-1	IC NJM13700D		1.000	U8
56	H-IC-2904L--1	IC NJM2904L SIP		1.000	U11
57	H-IC-3290E--1	IC CA3290E		1.000	U14
58	H-IC-4080IP-1	IC HIP4080IP		1.000	U10
59	H-IC-5470E--1	IC CA5470E		1.000	U9
60	H-IC-5532---1	IC NE5532AP		7.000	U1, U2, U3, U4, U5,
61	H-IC-5532---1	IC NE5532AP		0.000	U6, U7
62	H-IC-7812---1	IC KA7812		1.000	U18
63	H-IC-78L06--1	IC KIA78L06	6V	1.000	U17
64	H-IC-7912---1	IC KA7912		1.000	U16
65	H-ICC-2904M-1	IC NJM2904M	CHIP	1.000	ICP2
66	H-ICC-4013--1	IC CD4013BCM	CHIP	1.000	U13
67	H-ICC-4069--1	IC CD4069UBCM	CHIP	1.000	U12
68	H-ICC-494AF-1	IC KIA494AF	CHIP	1.000	ICP1
69	H-JAK-MODUL-1	JACK MODULAR 4P	616PCB4D	1.000	CON1
70	H-JAK-R4PG--5	JACK RCA JE0400600BG	4P GOLD B/B	1.000	RCA1
71	H-LED-34GR-1	LED GREEN 3PIE	LT0321-41(GREEN)	1.000	PWR
72	H-LED-HOLDER8	HOLDER LED ASS'Y	LT632HR-H202-C17(R/R)	2.000	OC, THER
73	H-MCR10J-1021	RESISTOR CHIP 1K	2012 TYPE	2.000	RP22, RP23
74	H-MCR10J-1021	RESISTOR CHIP 1K	2012 TYPE	1.000	RS17
75	H-MCR10J-1031	RESISTOR CHIP 10K	2012 TYPE	2.000	RB2, RP15



## PART LIST

NO	CODE	NAME	STAN	Q'TY	REMARK
76	H-MCR10J-1031	RESISTOR CHIP 10K	2012 TYPE	3.000	RS8, RS9, RS18
77	H-MCR10J-1041	RESISTOR CHIP 100K	2012 TYPE	2.000	RP11, RP5
78	H-MCR10J-1051	RESISTOR CHIP 1M	2012 TYPE	1.000	RP8
79	H-MCR10J-1231	RESISTOR CHIP 12K	2012 TYPE	1.000	RS6
80	H-MCR10J-1531	RESISTOR CHIP 15K	2012 TYPE	1.000	RP7
81	H-MCR10J-1541	RESISTOR CHIP 150K	2012 TYPE	1.000	RP19
82	H-MCR10J-1831	RESISTOR CHIP 18K	2012 TYPE	1.000	RB5
83	H-MCR10J-2201	RESISTOR CHIP 220	2012 TYPE	1.000	RS1
84	H-MCR10J-2221	RESISTOR CHIP 2.2K	2012 TYPE	2.000	RS7, RS11,
85	H-MCR10J-2231	RESISTOR CHIP 22K	2012 TYPE	3.000	RP16, RP17, RP6
86	H-MCR10J-2231	RESISTOR CHIP 22K	2012 TYPE	2.000	RS3, RS14
87	H-MCR10J-2721	RESISTOR CHIP 2.7K	2012 TYPE	2.000	RP9, RP10
88	H-MCR10J-3321	RESISTOR CHIP 3.3K	2012 TYPE	1.000	RB1
89	H-MCR10J-3331	RESISTOR CHIP 33K	2012 TYPE	2.000	RP12, RP13
90	H-MCR10J-3331	RESISTOR CHIP 33K	2012 TYPE	1.000	RS4
91	H-MCR10J-3931	RESISTOR CHIP 39K	2012 TYPE	1.000	RS5
92	H-MCR10J-47-1	RESISTOR CHIP 47	2012 TYPE	1.000	RS19
93	H-MCR10J-4721	RESISTOR CHIP 4.7K	2012 TYPE	2.000	RP18, RP20
94	H-MCR10J-4721	RESISTOR CHIP 4.7K	2012 TYPE	2.000	RS10, RS15
95	H-MCR10J-4731	RESISTOR CHIP 47K	2012 TYPE	1.000	RB3
96	H-MCR10J-4731	RESISTOR CHIP 47K	2012 TYPE	1.000	RS16
97	H-MCR10J-5621	RESISTOR CHIP 5.6K	2012 TYPE	3.000	RP1, RP2, RP4
98	H-MCR10J-6801	RESISTOR CHIP 680	2012 TYPE	1.000	RP14
99	H-MCR10J-6801	RESISTOR CHIP 680	2012 TYPE	1.000	RS12
100	H-MCR10J-6821	RESISTOR CHIP 6.8K	2012 TYPE	1.000	RS2



## PART LIST

NO	CODE	NAME	STAN	Q'TY	REMARK
101	H-MCR10J-82-1	RESISTOR CHIP 82	2012 TYPE	1.000	RS13
102	H-MCR10J-9121	RESISTOR CHIP 9.1K	2012 TYPE	1.000	RP16A
103	H-MFB-104P5T1	CAP/M-FILM 104/63V	BOX FILM 104 TP TYPE	7.000	C123, C416, C417, C419, C155,
104	H-MFB-104P5T1	CAP/M-FILM 104/63V	BOX FILM 104 TP TYPE	0.000	C171, C426
105	H-MFB-124P5T1	CAP/M-FILM 124/63V	BOX FILM 124 TP TYPE	3.000	C110, C113, C115
106	H-MFB-153P5T1	CAP/M-FILM 153/63V	BOX FILM 153 TP TYPE	2.000	C162, C163
107	H-MFB-184P5T1	CAP/M-FILM 184/63V	BOX FILM 184 TP TYPE	2.000	C117, C118
108	H-MFB-223P5T1	CAP/M-FILM 223/63V	BOX FILM 223 TP TYPE	2.000	C112, C120
109	H-MFB-224P5T1	CAP/M-FILM 224/63V	BOX FILM 224 TP TYPE	6.000	C159, C161, C186, C187, C413,
110	H-MFB-224P5T1	CAP/M-FILM 224/63V	BOX FILM 224 TP TYPE	0.000	CX1
111	H-MFB-273P5T1	CAP/M-FILM 273/63V	BOX FILM 273 TP TYPE	2.000	C158, C160
112	H-MFB-334P5T1	CAP/M-FILM 334/63V	BOX FILM 334 TP TYPE	3.000	C164, C182, C183
113	H-MFB-473P5T1	CAP/M-FILM 473/63V	BOX FILM 473 TP TYPE	1.000	C119
114	H-MFB-563P5T1	CAP/M-FILM 563/63V	BOX FILM 563 TP TYPE	3.000	C111, C114, C116
115	H-MFB-683P5T1	CAP/M-FILM 683/63V	BOX FILM 683 TP TYPE	1.000	C124
116	H-MOS-064N--1	MOSFET IRFP064N	N-CH TO247AC	6.000	Q413, Q414, Q415, Q416, Q417,
117	H-MOS-064N--1	MOSFET IRFP064N	N-CH TO247AC	0.000	Q418
118	H-MOS-70N06-1	MOSFET RFP70N06	N-CH TO220	8.000	Q6, Q7, Q8, Q9, Q15,
119	H-MOS-70N06-1	MOSFET RFP70N06	N-CH TO220	0.000	Q16, Q17, Q18
120	H-MOS-J112--1	FET J112	N-CH SWITCH	1.000	Q5
121	H-MYR-102MT-2	MYLAR 102 "j" MINI	TP TYPE	3.000	C127, C156, C408
122	H-MYR-102T--2	MYLAR 102 (0.001/50)	TP TYPE "J"	1.000	CP6
123	H-MYR-392T--2	MYLAR 392 "J"	TP TYPE	2.000	C166, C167
124	H-MYR-472T--2	MYLAR 472 "J"	TP TYPE	2.000	C404, C405
125	H-MYR-474---1	MYLAR 2A474K	"K" TYPE	2.000	C177, C178



## PART LIST

NO	CODE	NAME	STAN	Q'TY	REMARK
126	H-MYR-565---1	MYLAR HMF565K-100V	"K" TYPE	2.000	C180, C181
127	H-PBA-9001PP1	MAIN PCB PP900.1MA		1.000	
128	H-PBS-4502BX1	PWM PCB QX900.1PWM	139x180x1.6t (1/10) FR4	1.000	
129	H-PBS-4502BX2	SUB PCB QX900.1SUB	140x180x1.6t (1/10) FR4	1.000	
130	H-PIN-05PS--4	PIN HEADER 2.54 5PIN	SMRH-254S05T L=3.5mm	1.000	CN3
131	H-PIN-06PS--2	PIN HEADER 2.54 6PIN	SMRH-254S06T L=3.5mm	2.000	CN1, CN2
132	H-PIN-09PS--2	PIN HEADER 2.54 9PIN	SMRH-254S09T L=3.5mm	1.000	CN4
133	H-PTFC-9001-1	TOROIDE/CHOKE $\phi$ 61	ZP4611TC	1.000	T1
134	H-PTFC-9001-2	TOROIDE/CHOKE $\phi$ 32	T130-3	4.000	L1X2, L2X2
135	H-PTRC-QX9011	COIL CHOKE	1.5pie 32T (T130-3)	2.000	L1, L2 (T130-3x4EA )
136	H-PTRC-QX9012	COIL CHOKE	1.5pie 18T (T131-1703)	1.000	L3
137	H-PTTO-61---1	P.T TOROIDE 61mm	QX900.1 4T/23T/7T	1.000	T1 (ZF46113TC)
138	H-R14-10----1	RESISTOR 1/4W 10		1.000	R401
139	H-R14-103---1	RESISTOR 1/4W 10K		2.000	R333, R430
140	H-R14-1-----1	RESISTOR 1/4W 1		2.000	R180, R181
141	H-R14-13----1	RESISTOR 1/4W 1K		2.000	R417, R418
142	H-R14-220---1	RESISTOR 1/4W 220		4.000	R302, R303, R305, R306
143	H-R14-223---1	RESISTOR 1/4W 22K		2.000	R309, R310
144	H-R14-4.7---1	RESISTOR 1/4W 4.7		3.000	R161, R332, R435
145	H-R14-4703--1	RESISTOR 1/4W 470K		2.000	R169, R175
146	H-R14-47----1	RESISTOR 1/4W 47		6.000	R419, R420, R421, R422, R423,
147	H-R14-47----1	RESISTOR 1/4W 47		0.000	R424
148	H-R14-474---1	RESISTOR 1/4W 4.7K		1.000	R168
149	H-R14F-3202-1	RESISTOR F1/4W 32K		1.000	R1
150	H-R18-0-----1	RESISTOR 1/8W 0		1.000	R91





## PART LIST

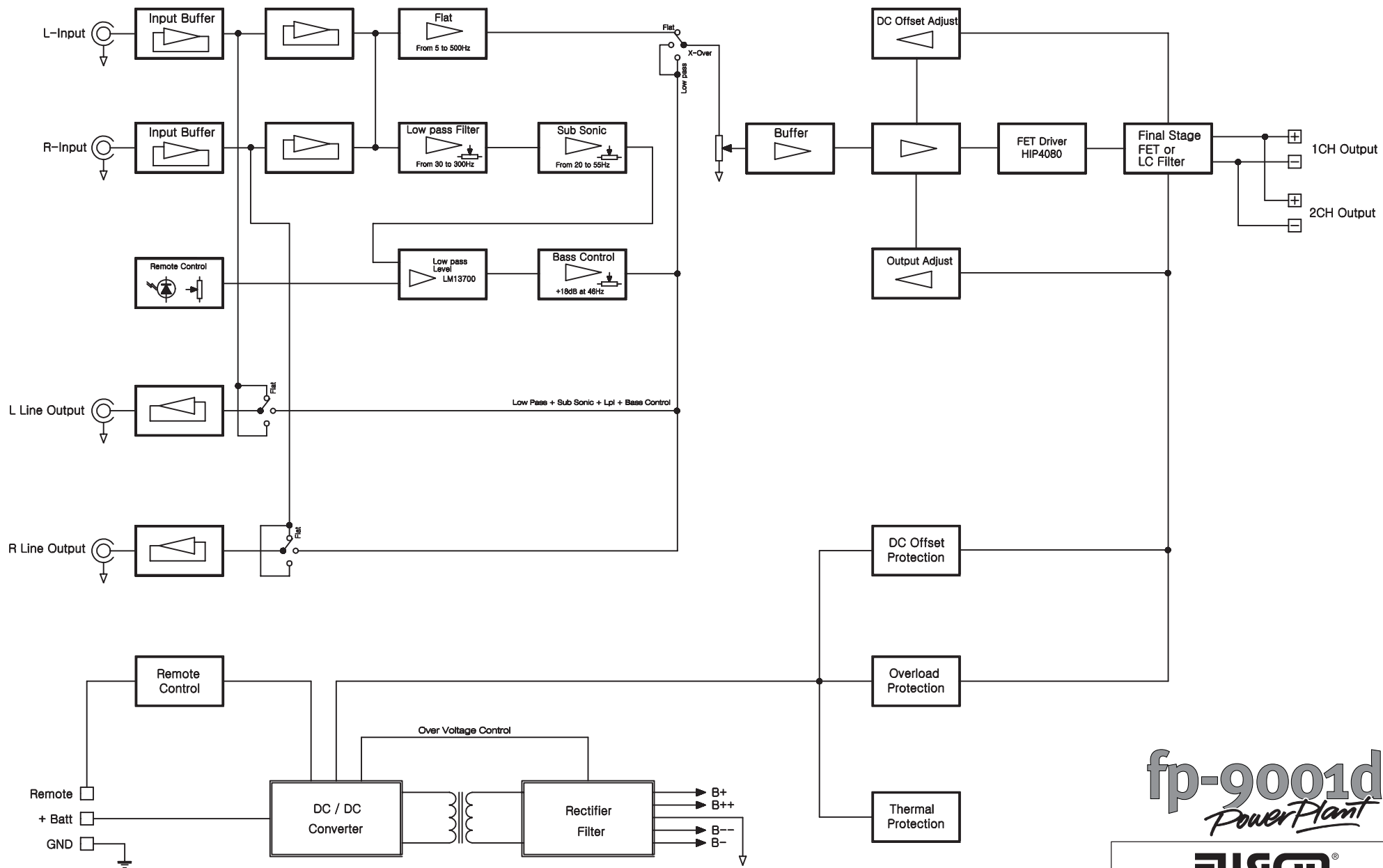
NO	CODE	NAME	STAN	Q'TY	REMARK
151	H-R18-1003--1	RESISTOR 1/8W 100K		3.000	R152, R160, R92
152	H-R18-103---1	RESISTOR 1/8W 10K		17.000	R129, R130, R136, R146, R148,
153	H-R18-103---1	RESISTOR 1/8W 10K		0.000	R150, R162, R166, R206, R207,
154	H-R18-103---1	RESISTOR 1/8W 10K		0.000	R247, R248, R250, R404, R407,
155	H-R18-103---1	RESISTOR 1/8W 10K		0.000	RX1, R163
156	H-R18-113---1	RESISTOR 1/8W 11K		1.000	R121
157	H-R18-124---1	RESISTOR 1/8W 1.2K		1.000	R321
158	H-R18-13----1	RESISTOR 1/8W 1K		10.000	R108, R149, R165, R170, R197,
159	H-R18-13----1	RESISTOR 1/8W 1K		0.000	R208, R249, R402, RL1, RX2
160	H-R18-133---1	RESISTOR 1/8W 13K		1.000	R93
161	H-R18-153---1	RESISTOR 1/8W 15K		2.000	R164, R198
162	H-R18-1-----6	RESISTOR 1/8W 1M		2.000	R167, R403
163	H-R18-163---1	RESISTOR 1/8W 16K		2.000	R147, R246
164	H-R18-183---1	RESISTOR 1/8W 18K		2.000	R123, R153
165	H-R18-184---1	RESISTOR 1/8W 1.8K		1.000	R182
166	H-R18-204---1	RESISTOR 1/8W 2K		1.000	R184
167	H-R18-220---1	RESISTOR 1/8W 220		2.000	R106, R107
168	H-R18-223---1	RESISTOR 1/8W 22K		12.000	R102, R103, R104, R105, R122,
169	H-R18-223---1	RESISTOR 1/8W 22K		0.000	R142, R196, R202, R203, R204,
170	H-R18-223---1	RESISTOR 1/8W 22K		0.000	R205, R416
171	H-R18-2703--1	RESISTOR 1/8W 270K		3.000	R133, R176, R177
172	H-R18-330---1	RESISTOR 1/8W 330		1.000	RL2
173	H-R18-334---1	RESISTOR 1/8W 3.3K		6.000	R189, R191, R192, R193, R194,
174	H-R18-334---1	RESISTOR 1/8W 3.3K		0.000	R413
175	H-R18-394---1	RESISTOR 1/8W 3.9K		3.000	R131, R134, R139



## PART LIST

NO	CODE	NAME	STAN	Q'TY	REMARK
176	H-R18-430---1	RESISTOR 1/8W 430		1.000	R132
177	H-R18-470---1	RESISTOR 1/8W 470		2.000	R101, R201
178	H-R18-473---1	RESISTOR 1/8W 47K		2.000	R143, R405
179	H-R18-474---1	RESISTOR 1/8W 4.7K		14.000	R109, R115, R116, R117, R118,
180	H-R18-474---1	RESISTOR 1/8W 4.7K		0.000	R119, R126, R145, R188, R190,
181	H-R18-474---1	RESISTOR 1/8W 4.7K		0.000	R245, R406, R414, R415
182	H-R18-514---1	RESISTOR 1/8W 5.1K		1.000	R141
183	H-R18-564---1	RESISTOR 1/8W 5.6K		1.000	R199
184	H-R18-683---1	RESISTOR 1/8W 68K		2.000	R183, R185
185	H-R18-750---1	RESISTOR 1/8W 750		1.000	R137
186	H-R18F-1545-1	RESISTOR F1/8W 15.4K		1.000	R125
187	H-R18F-3094-1	RESISTOR F1/8W 30.9K		1.000	R140
188	H-R18F-511--1	RESISTOR F1/8W 511		3.000	R120, R124, R127
189	H-R18F-5112-1	RESISTOR F1/8W 5.11K		1.000	R128
190	H-R1WM-10---2	RESISTOR 1W10	M-TYPE	2.000	R425, R426
191	H-R1WM-22---2	RESISTOR 1W22	M-TYPE	3.000	R427, R428, R429
192	H-R1WM-472--2	RESISTOR MET 1W4.7	M-TYPE	2.000	R178, R179
193	H-R2WM-472--4	RESISTOR MET 2W4.7K	M-TYPE	2.000	R301, R304
194	H-R5WM-472--1	RESISTOR MET 5W4.7	M-TYPE	2.000	R307, R308
195	H-RCNW-1525-1	RESISTOR CN 1.5x25		2.000	CR1, CR2
196	H-RELY-CT11-1	RELAY CT11D12S		1.000	RELAY1
197	H-STKT-DIP201	IC SOCKET DIP20P		1.000	U10
198	H-STRG-3PG-13	TERMINAL SCREW	DKPT03300 3P GOLD	1.000	TER3
199	H-STRG-4PG-10	TERMINAL SCREW	DKPT04400 4P GOLD	1.000	TER1
200	H-SWS-4301--1	SW SL SK43D01G6	4C3P 6MM	1.000	SW1

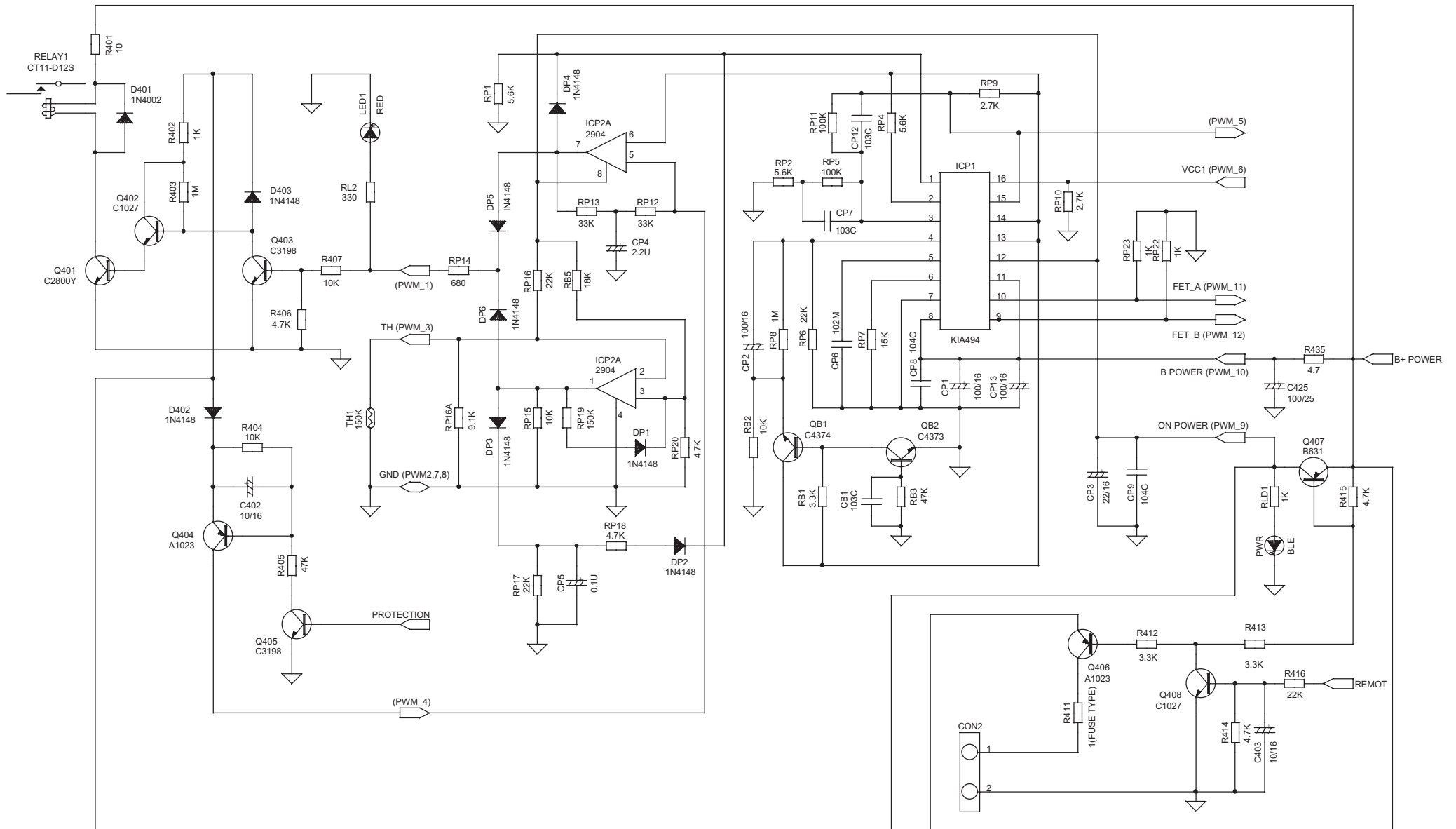




fp-9001d  
PowerPlant

FUSION®

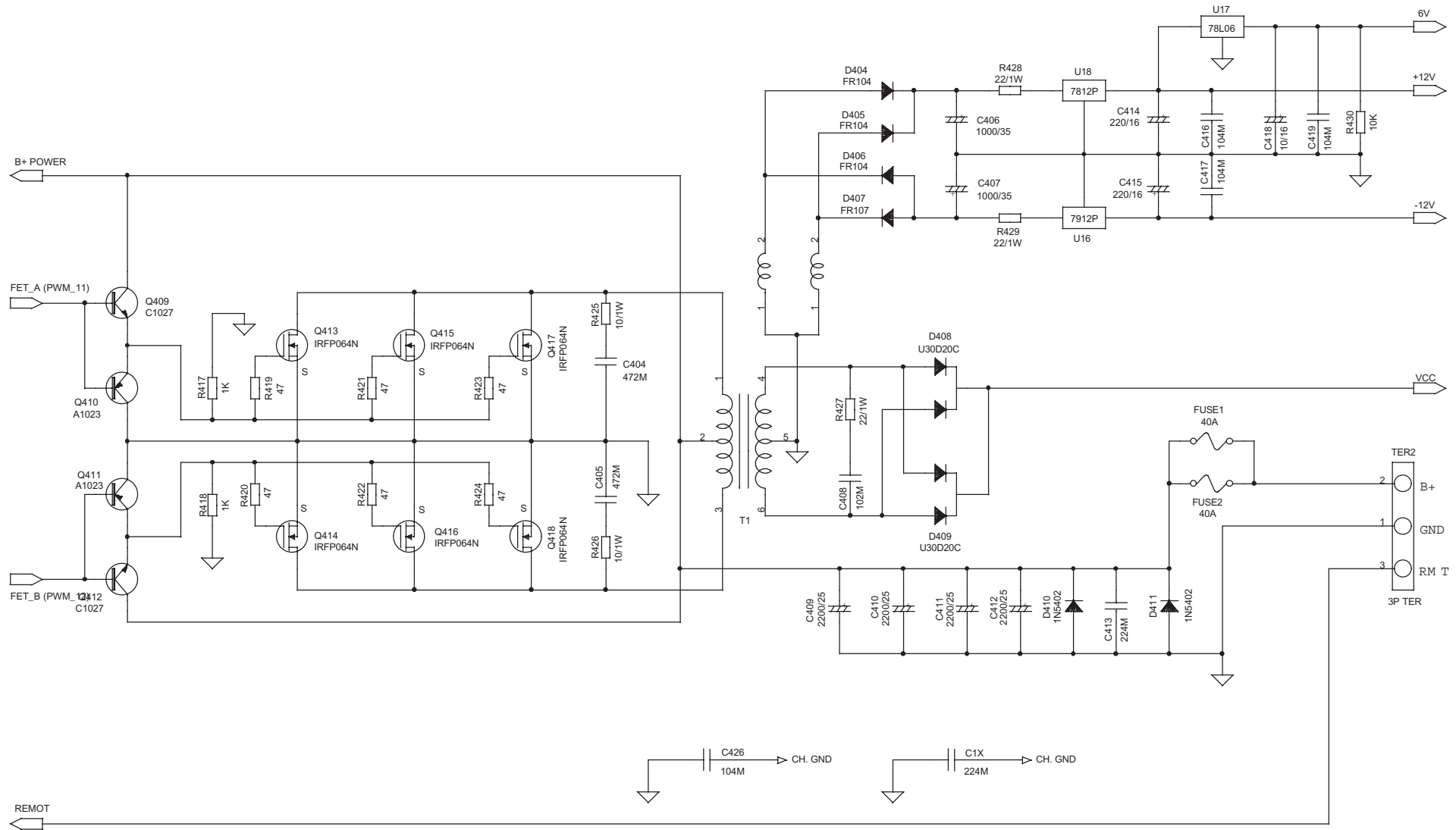
TITLE  
fp-9001d BLOCK DIAGRAM



NOTE  
 1. C401 47/16 DELETE (2001-12-22)

**fp-9001d**  
*PowerPlant*

<b>FUSION®</b>	
TITLE	fp-9001d PWM1
SIZE	CUSTOM

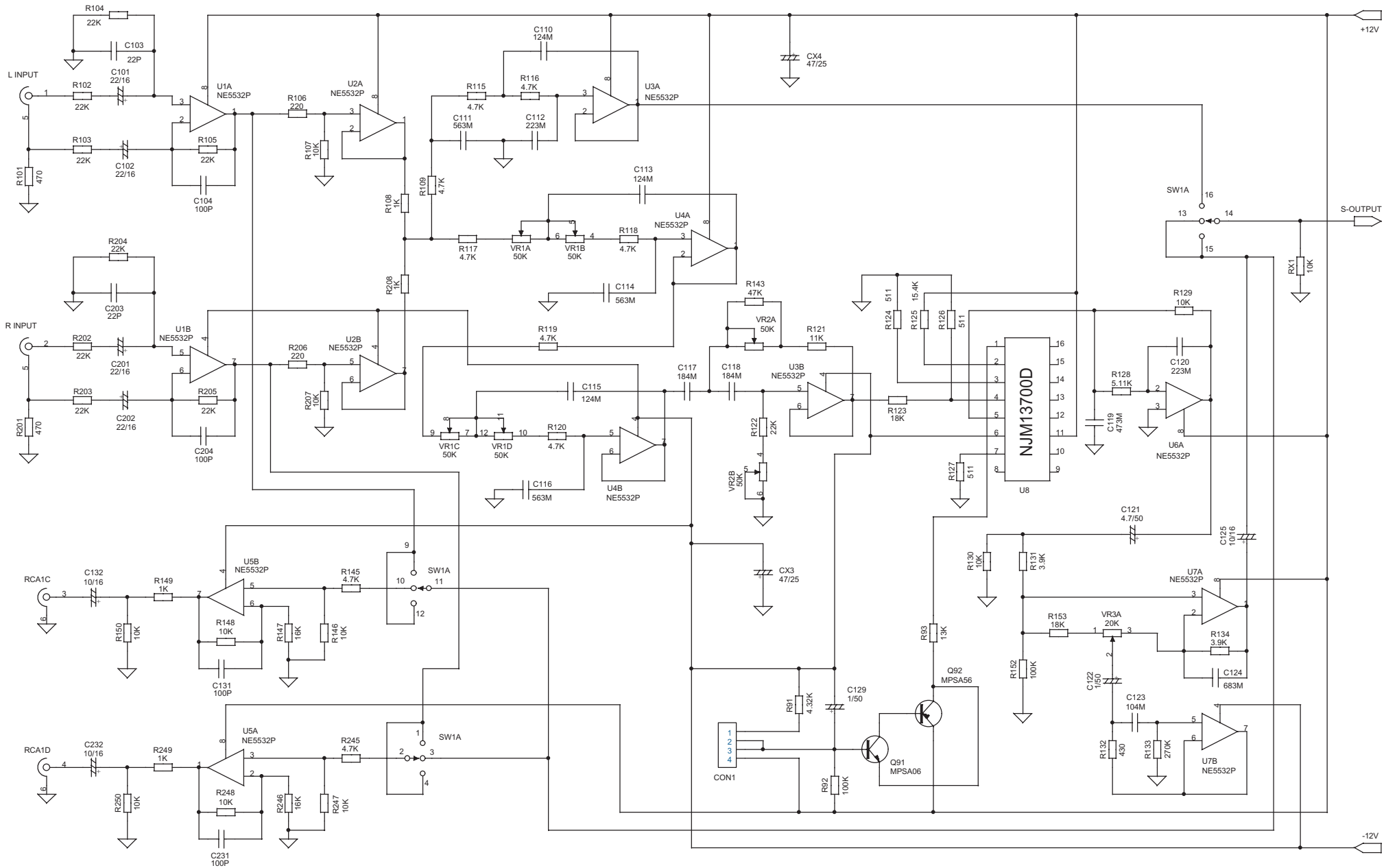


NOTE

1. C426 104M ADD (2001-12-22)

**fp-9001d**  
*PowerPlant*

<b>FUSON®</b>	
TITLE	SIZE
<b>fp-9001d PWM2</b>	<b>CUSTOM</b>



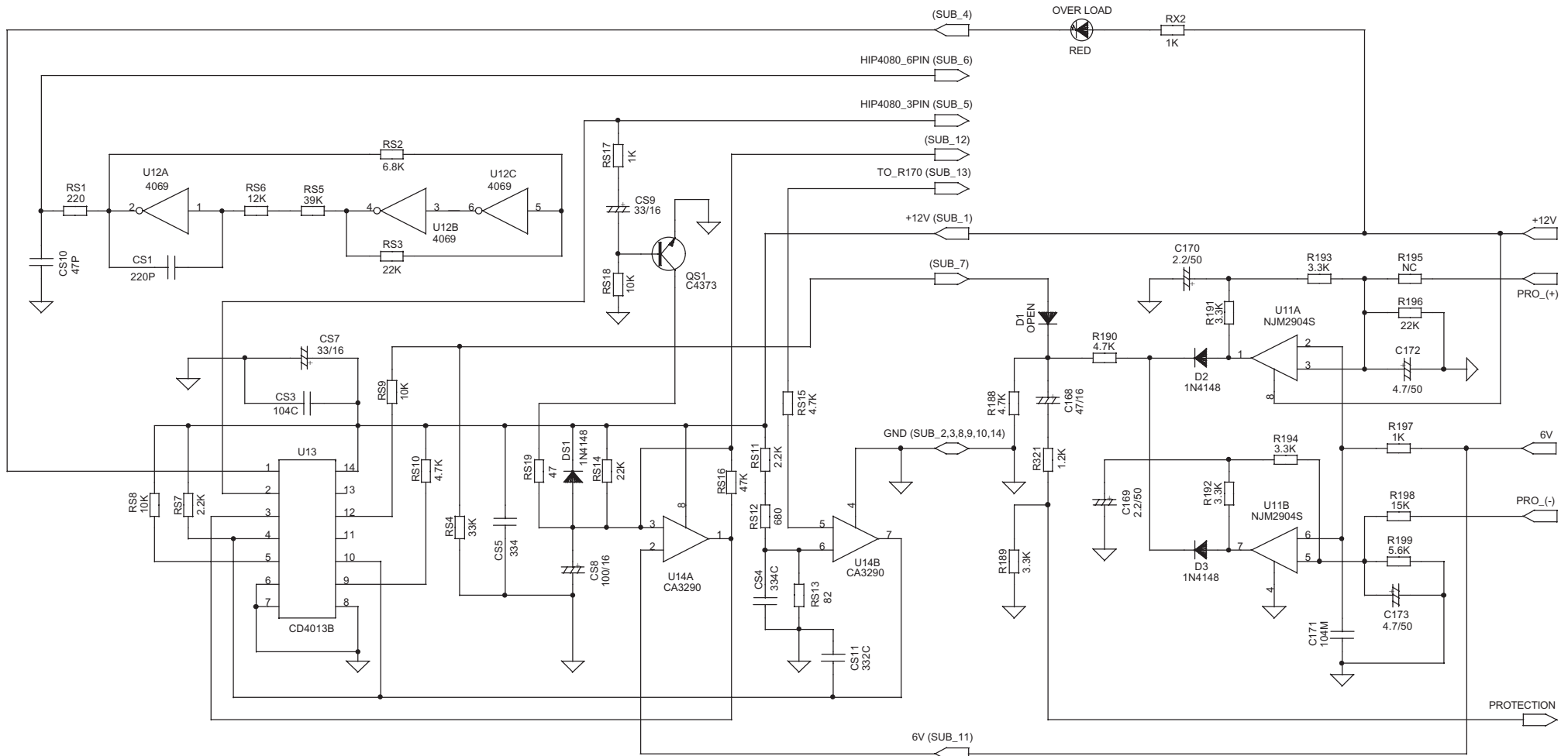
NOTE  
 1. C121 47/16 -> 4.7/50 CHANGE (2002-04-04)

**fp-9001d**  
*PowerPlant*

<b>FUSON®</b>	
TITLE	SIZE
<b>fp-9001d INPUT</b>	CUSTOM

# fp-9001d

PowerPlant

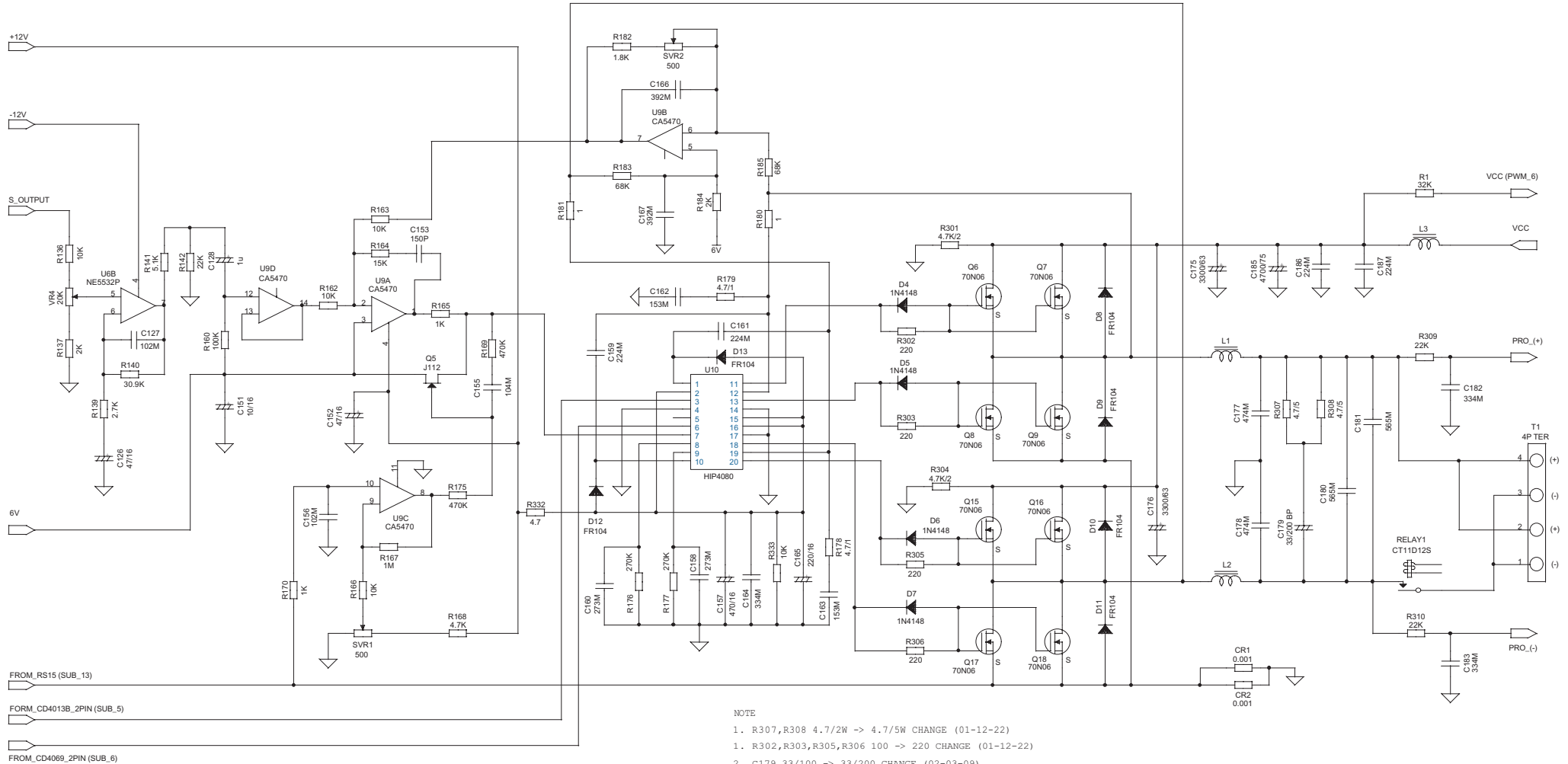


	<p>TITLE</p> <h2>fp-9001 SUB</h2>	<p>SIZE</p> <p>CUSTOM</p>
---	-----------------------------------	---------------------------



# fp-9001d

PowerPlant



NOTE

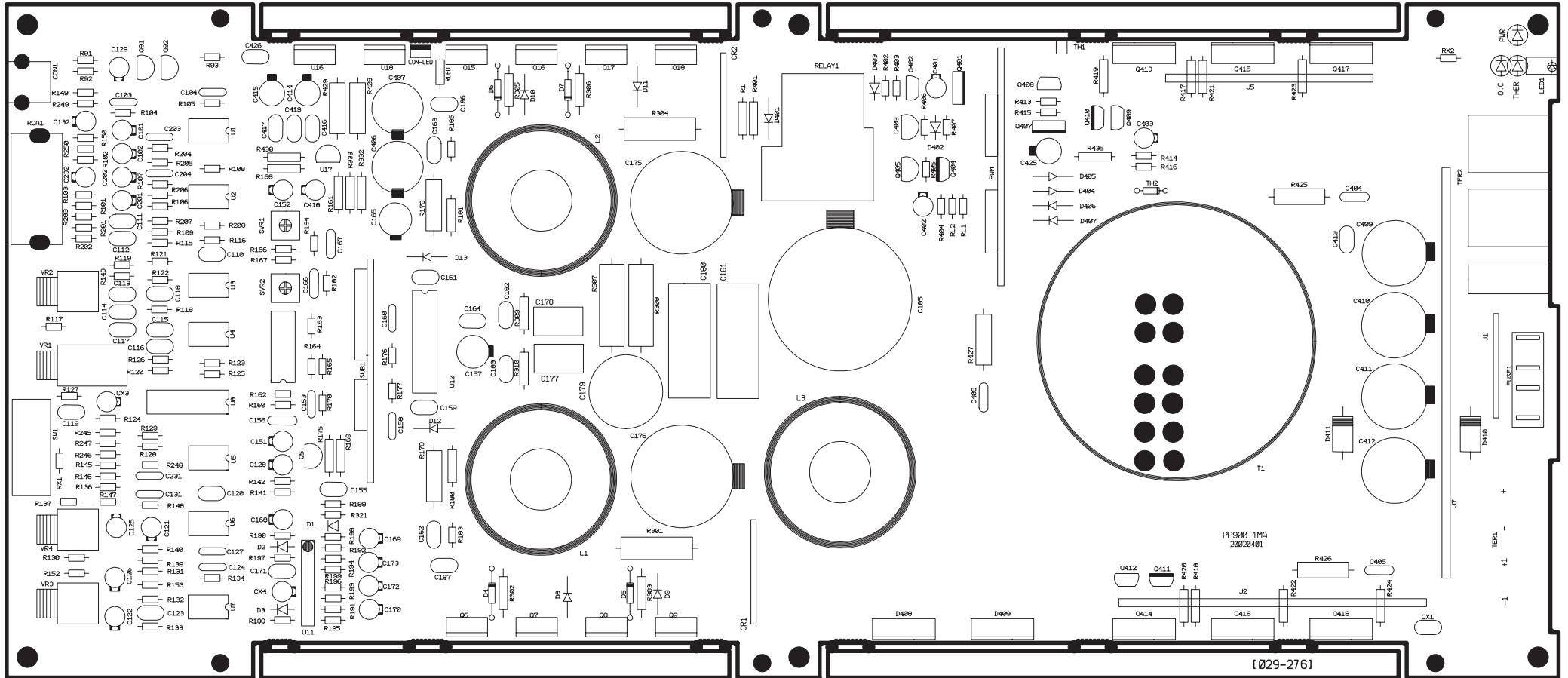
1. R307,R308 4.7/2W -> 4.7/5W CHANGE (01-12-22)
1. R302,R303,R305,R306 100 -> 220 CHANGE (01-12-22)
2. C179 33/100 -> 33/200 CHANGE (02-03-09)
2. C158,C160 273(C) -> 273M CHANGE (02-03-09)
3. R163 6.8K -> 10K CHANGE (02-04-04)
3. R140 47K -> 30.9K CHANGE (2002-04-04)

**FUSION**

TITLE  
**fp-9001 AUDIO**

SIZE  
**CUSTOM**

# fp-9001d PowerPlant



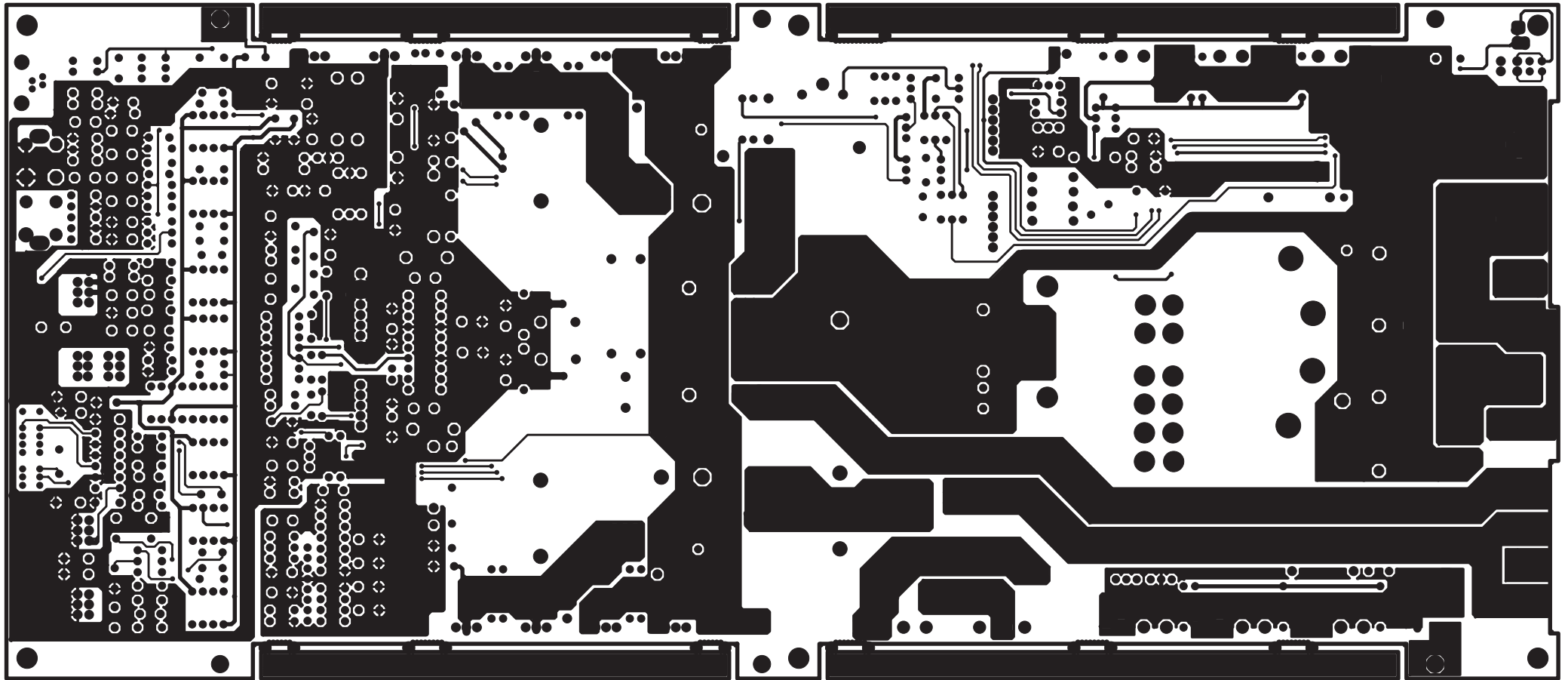
**FUSION**<sup>®</sup>

TITLE  
**fp-9001d PCB BOARD**

SIZE  
**A3**

# fp-9001d

*PowerPlant*



**FUSION**<sup>®</sup>

TITLE

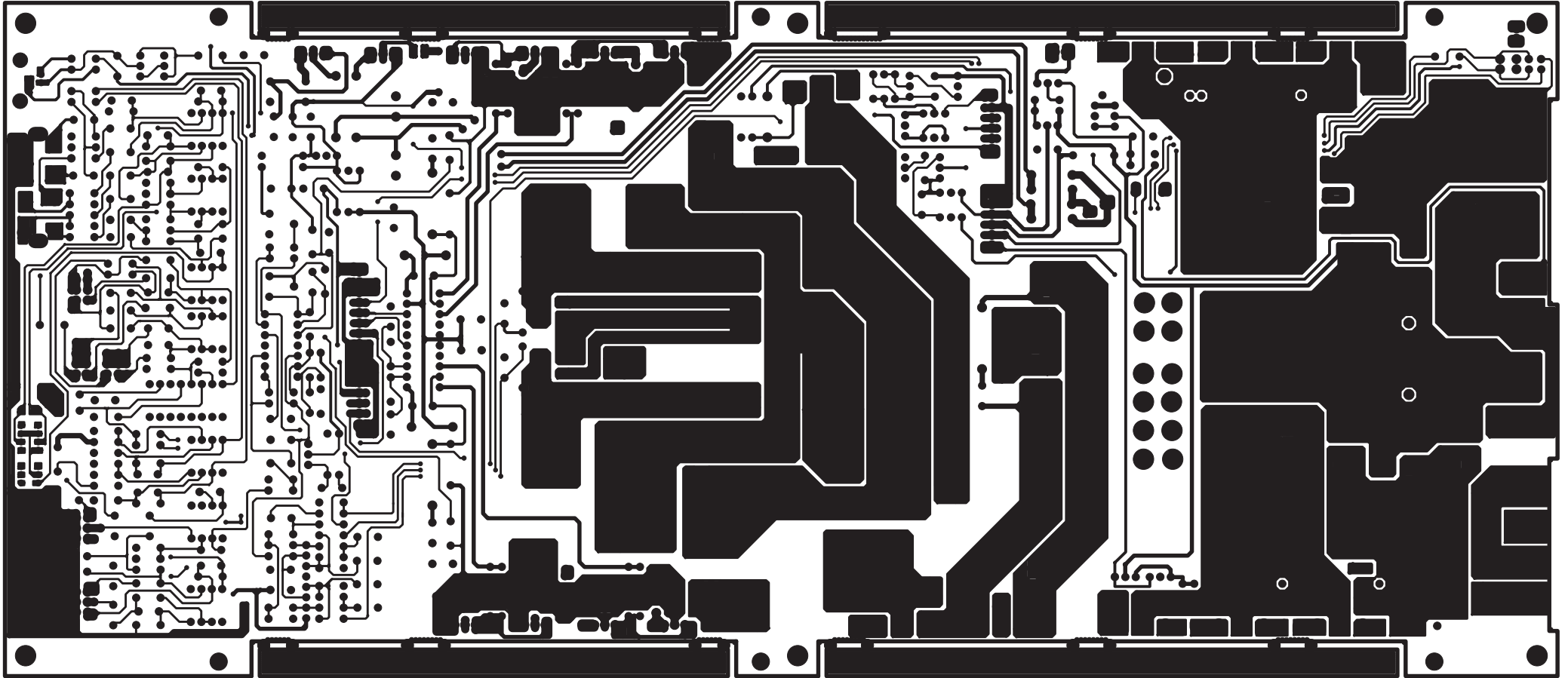
**fp-9001d PCB BOARD**

SIZE

**A3**

# fp-9001d

*PowerPlant*



**FUSION**<sup>®</sup>

TITLE

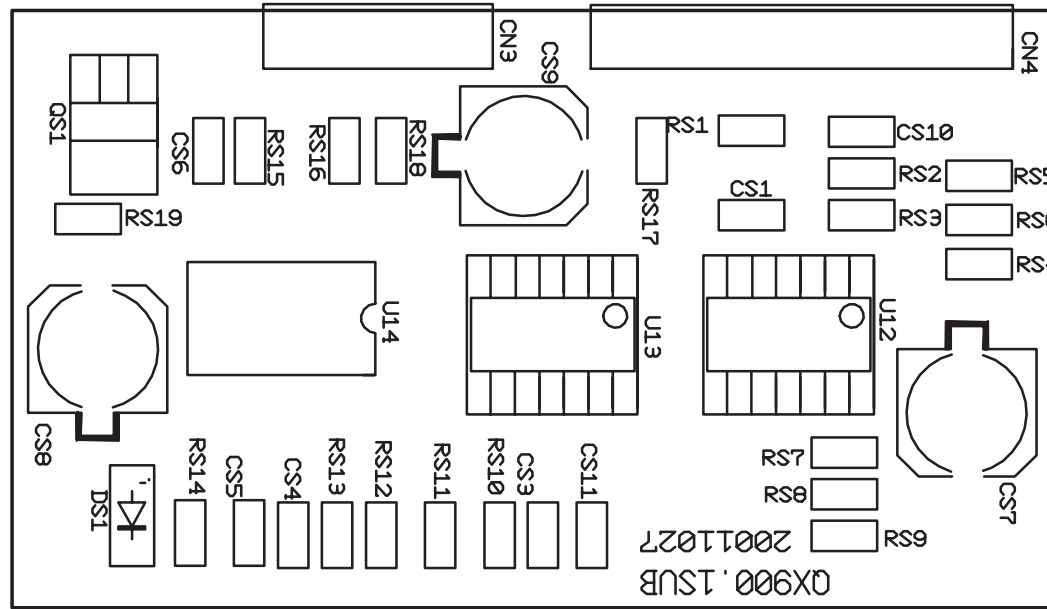
**fp-9001d PCB BOARD**

SIZE

**A3**

# fp-9001d

*PowerPlant*



**FUSION**<sup>®</sup>

TITLE

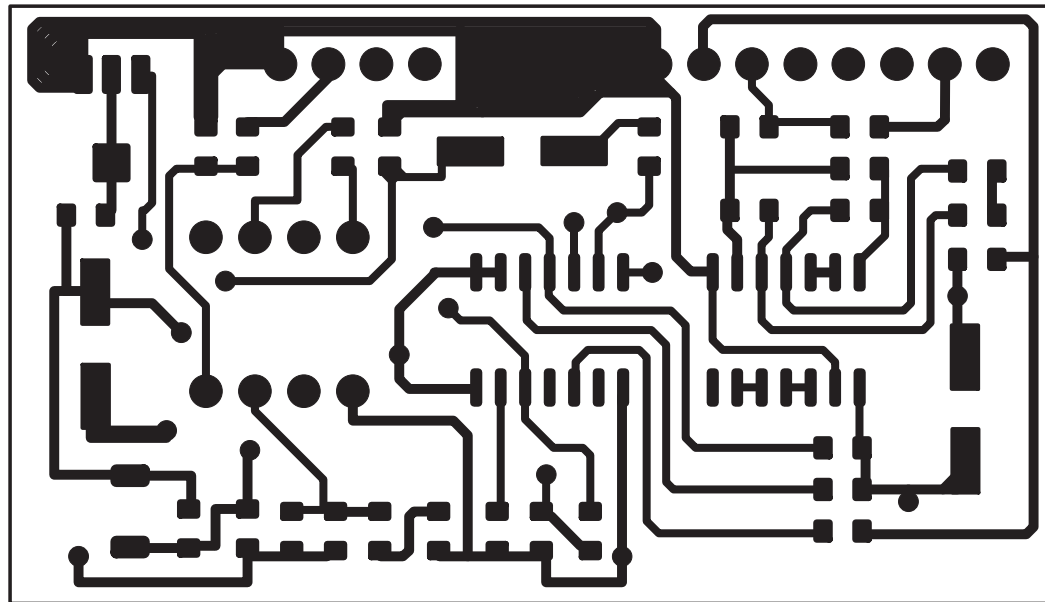
**fp-9001d PCB BOARD-SUB**

SIZE

**A4**

# fp-9001d

*PowerPlant*



**FUSION**<sup>®</sup>

TITLE

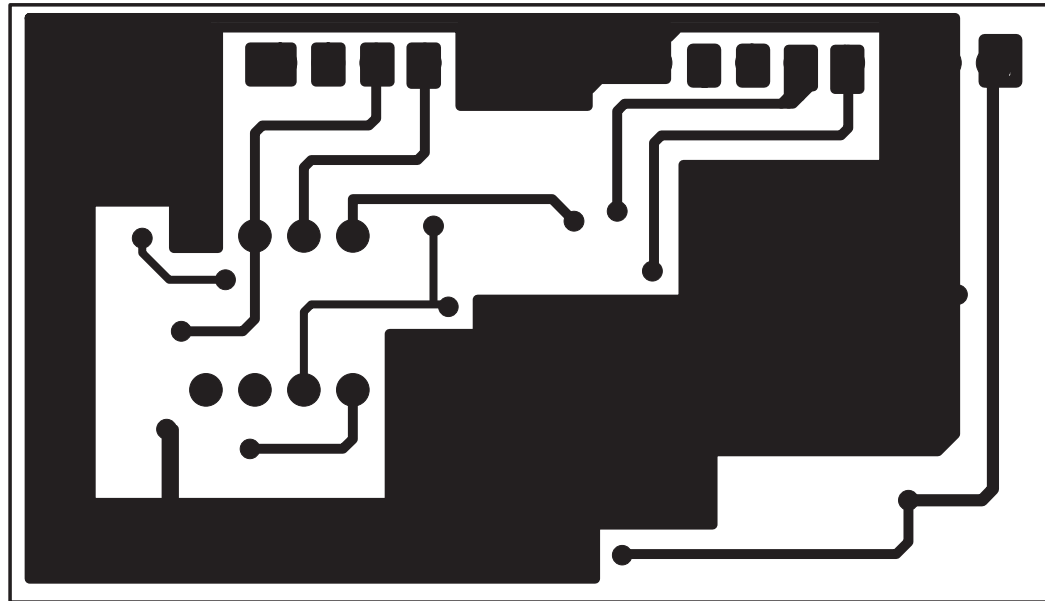
**fp-9001d PCB BOARD-SUB**

SIZE

**A4**

# fp-9001d

*PowerPlant*



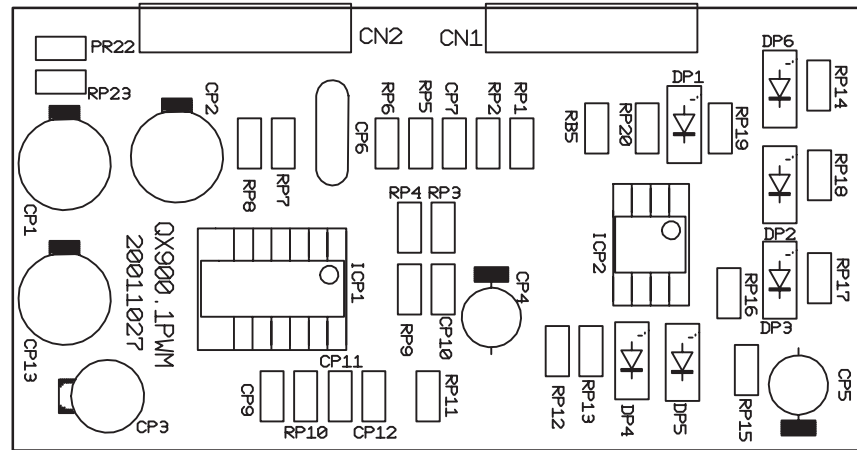
**FUSION**<sup>®</sup>

TITLE  
**fp-9001d PCB BOARD-SUB**

SIZE  
**A4**

# fp-9001d

*PowerPlant*



**FUSION**<sup>®</sup>

TITLE

**fp-9001d PCB BOARD-PWM**

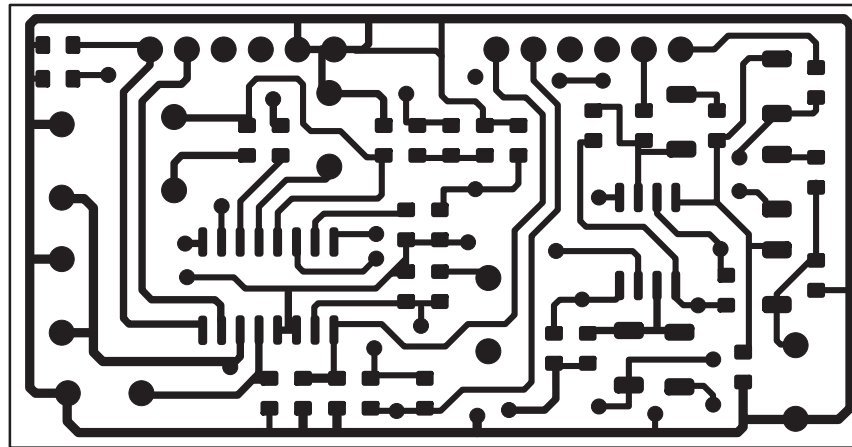
SIZE

**A4**



# fp-9001d

*PowerPlant*



**FUSION**<sup>®</sup>

TITLE

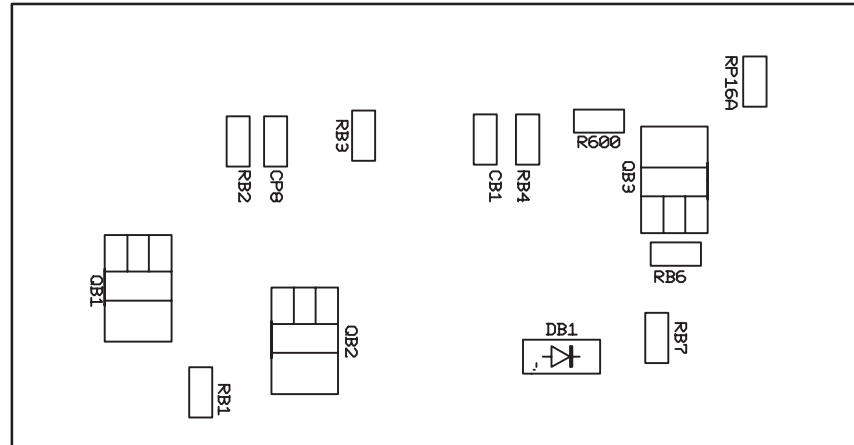
**fp-9001d PCB BOARD-PWM**

SIZE

**A4**

# fp-9001d

*PowerPlant*



**FUSION**<sup>®</sup>

TITLE

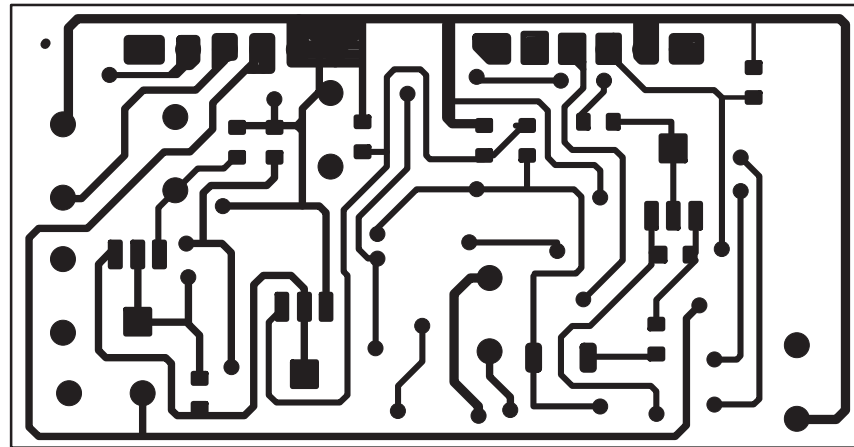
**fp-9001d PCB BOARD-PWM**

SIZE

**A4**

# fp-9001d

*PowerPlant*



**FUSION**<sup>®</sup>

TITLE

**fp-9001d PCB BOARD-PWM**

SIZE

**A4**