

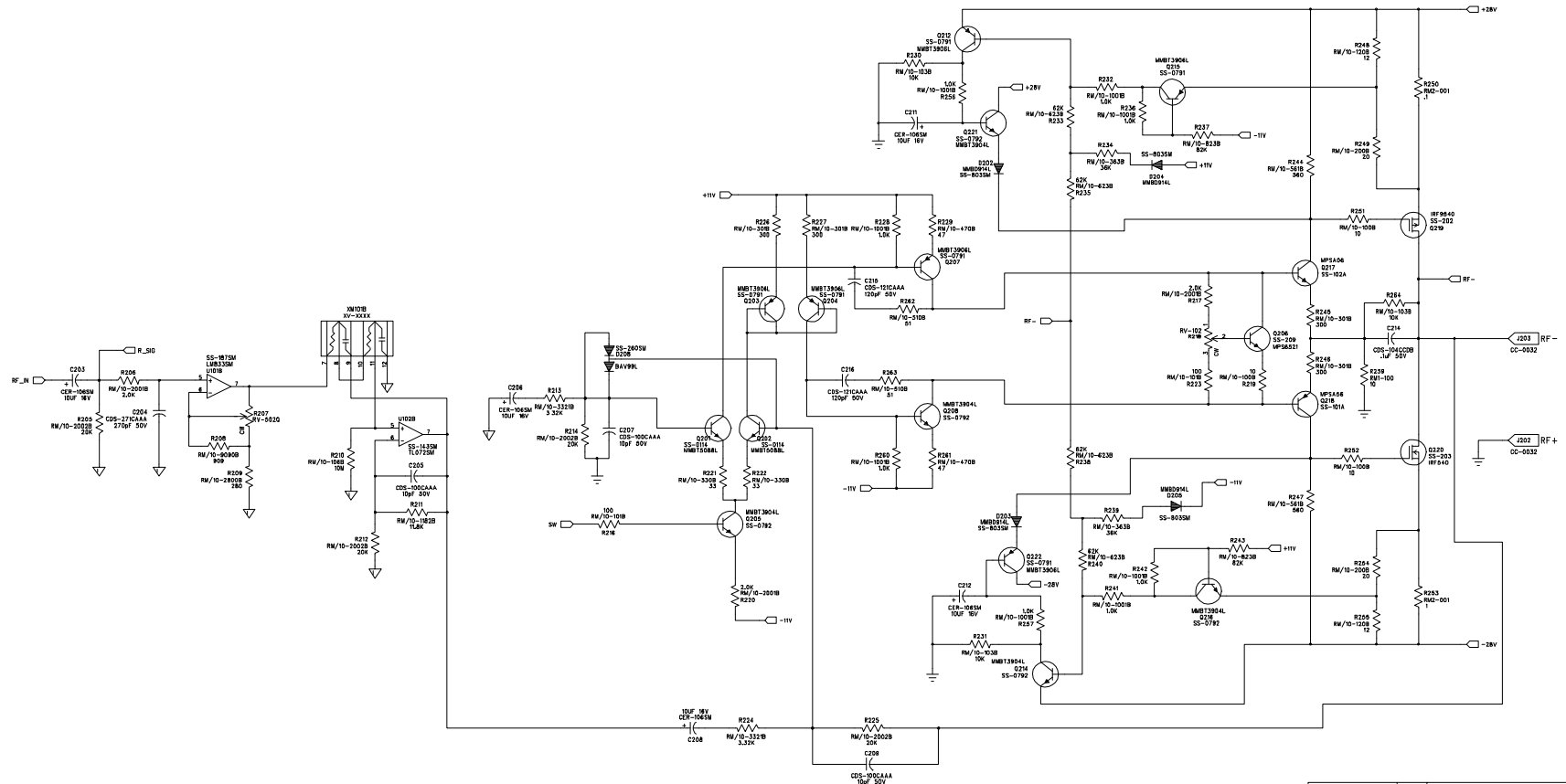
DRAWING REVISION RECORD					
ZONE	REV	PAGE	DESCRIPTION	DATE	APPROVED
	A		ECO 3837	8-99	H. MILLER
	B		SCHEMATIC RELEASE FOR REV D PC BOARD	7-95	H. MILLER
	C		CHANGE R45, R46 (200K) REF DES R18 HAS BEEN REPLACED WITH SS-735M (100K) REF DES R19	7-95	H. MILLER
	D		CHANGE RM/10-200B (100K) REF DES R18 CHANGE RM/10-200B (100K) REF DES R19 REPLACE WITH RM/10-200B (100K) REF DES R18	8-95	H. MILLER
	E		REPLACE SS-735M (100K) REF DES R18 WITH SS-735M (100K) REF DES R19	8-95	H. MILLER
	F		ECO 4005	10-95	H. MILLER
	G		ECO 4107	12-95	H. MILLER
	H		REPLACE TT-0291-B WITH TT-0291-B REV H REF DES 02 04 07 08 09 WITH SS-0426 (HFZ40)	12-95	H. MILLER
	I		REPLACE SS-0426 (HFZ40) WITH SS-0426 (HFZ44) REF DES 01 02 03 04 05 06 07 08 09 WITH SS-0426 (HFZ44)	03-96	H. MILLER
	J		ECO 4166	1-96	H. MILLER
	K		ECO 4284	3-96	H. MILLER

SIGNATURES		DATE
DESIGNED	J.W.	8-95
CHECKED	J.W.	8-95
APP'D		
DATE		
BY		
DATE		
BY		
DATE		
BY		

ROCKFORD FOSGATE CORPORATION
 TEMPE AZ

DRAWING TITLE:
 240.4 SCHEMATIC

SIZE	FILE NAME:	DWG/PART NO:	REV
B	SDH0952D	SDH-0952-B	K
SCALE:	DO NOT SCALE DRAWING		
SHEET 1 OF 5			

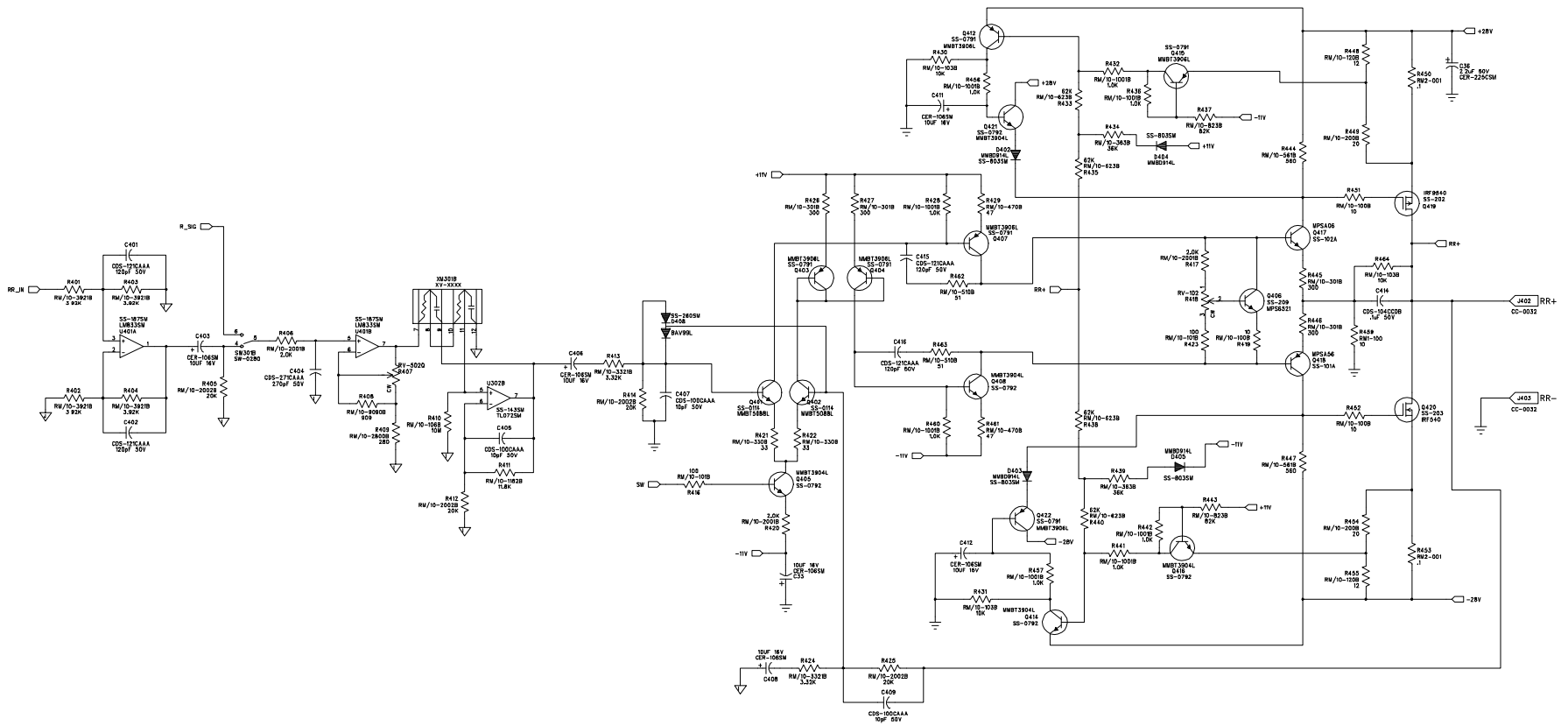


SIGNATURES		DATE	 ROCKFORD FOSGATE CORPORATION FOSGATE DIVISION TEMPE AZ
DESIGNED	Δ.W.	5-95	
DRAWN	Δ.W.	5-95	
CHECKED			
DATE			
BY			
REV			
DATE			
BY			
DATE			
BY			

DRAWING TITLE: 240.4 SCHEMATIC

SIZE	FILE NAME	DWG/PART NO.	REV
B	SCH9920	SCH-0992-9	K

SCALE: DO NOT SCALE DRAWING SHEET 3 OF 8



SIGNATURES		DATE
DESIGN	J.W.	5-85
CHECKED	J.W.	5-85
DRAWN		
DATE		
BY		
SCALE		

CORPORATION FOSGATE DIVISION TEMPE AZ		
DRAWING TITLE: 240.4 SCHEMATIC		
SIZE	FILE NAME: SCH9929	DWG/PART NO: SCH-0992-9
SCALE:	DO NOT SCALE DRAWING	SHEET # OF 5

REVISIONS
 1. REVISED FOR...
 2. REVISED FOR...
 3. REVISED FOR...