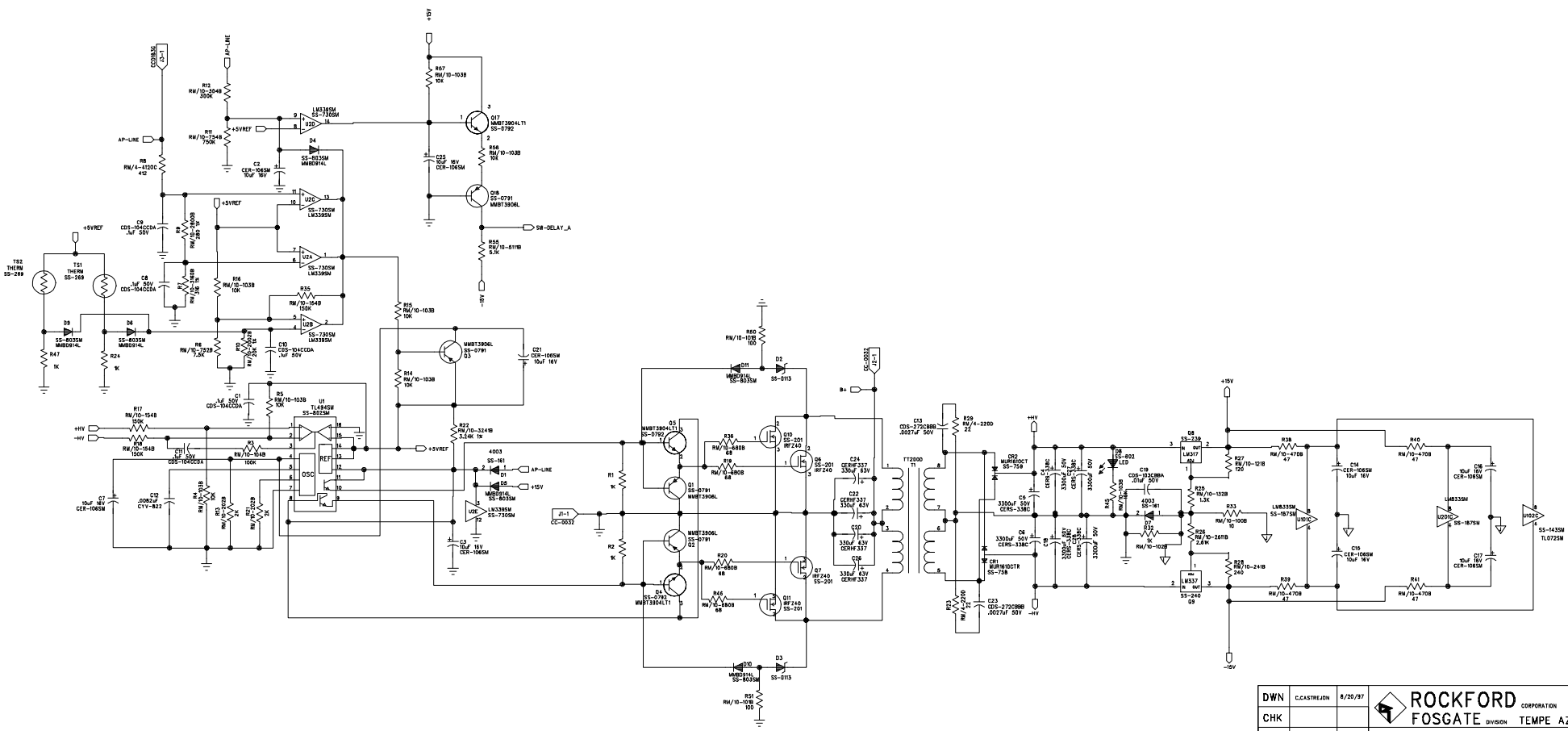


0 1 2 3 4 5 6 7 8 9 10 11 12 13 14

Z	SYM	DA	REVISION RECORD	AUTHORITY	DRAW	CHECK
			RELEASED			

- NOTES: UNLESS SPECIFIED OTHERWISE  
 1. ALL RESISTORS IN OHMS  
 2. ALL CAPACITORS IN MICROFARADS  
 3. COMMON PARTS DESIGNATORS 1 TO 99  
 4. LEFT CHANNEL DESIGNATORS 101 TO 199  
 5. RIGHT CHANNEL 201 TO 299

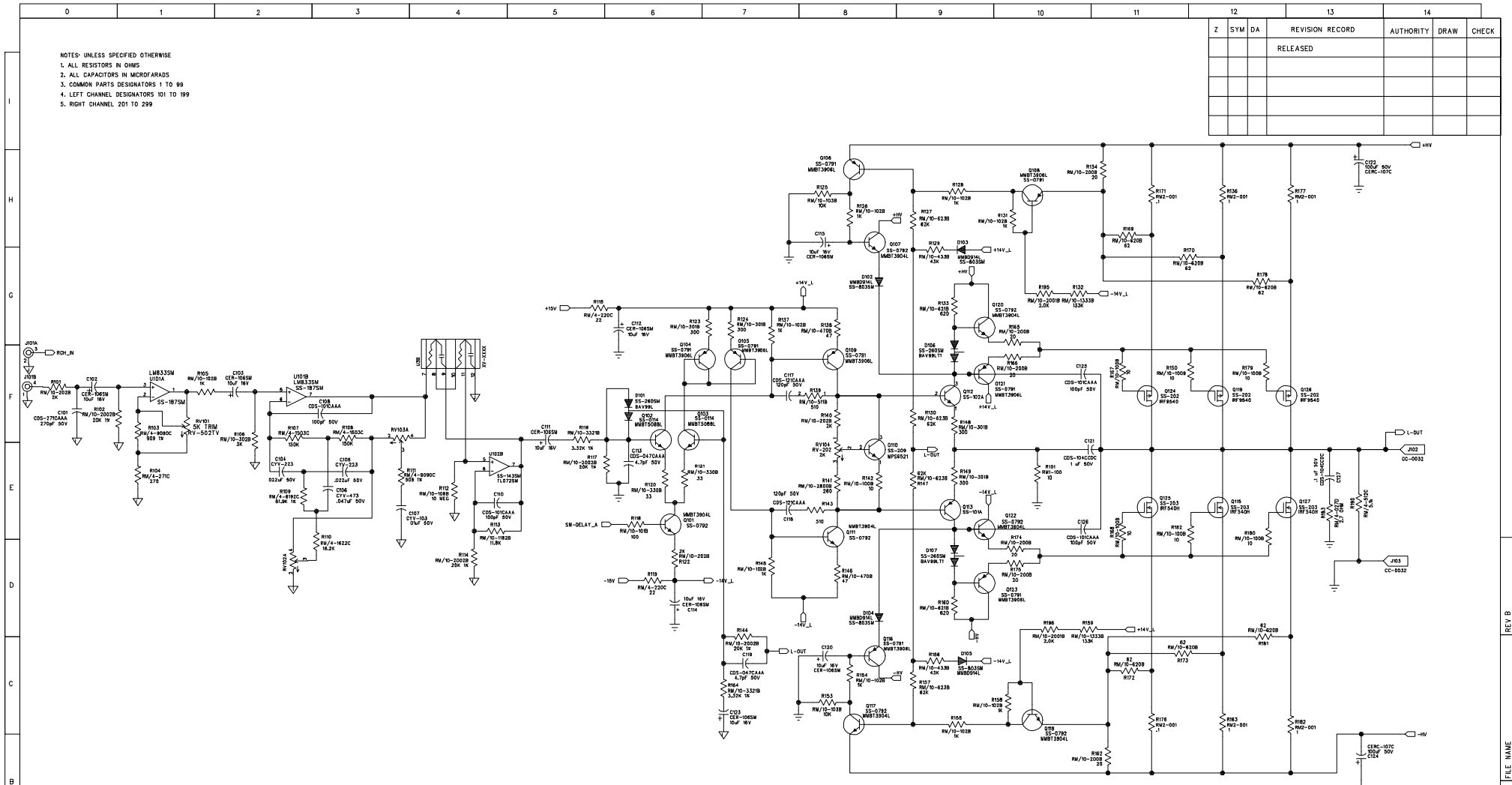


DWN	C.GASTREJON	8/20/97	<b>ROCKFORD</b> <b>FOSGATE</b> CORPORATION DIVISION TEMPE AZ
CHK			
ENGR	C.GASTREJON	8/20/97	TITLE
APVD	C.GASTREJON	8/20/97	PUNCH 225X2 POWER SUPPLY
MATL/FS	FILE NAME	PART NO.	SCALE
	PC-1856-A		SHEET 1 OF 3

REV FILE NAME PART NO.

- NOTES- UNLESS SPECIFIED OTHERWISE  
 1. ALL RESISTORS IN OHMS  
 2. ALL CAPACITORS IN MICROFARADS  
 3. COMMON PARTS DESIGNATORS 1 TO 99  
 4. LEFT CHANNEL DESIGNATORS 101 TO 199  
 5. RIGHT CHANNEL 201 TO 299

Z	SYM	DA	REVISION RECORD	AUTHORITY	DRAW	CHECK
			RELEASED			



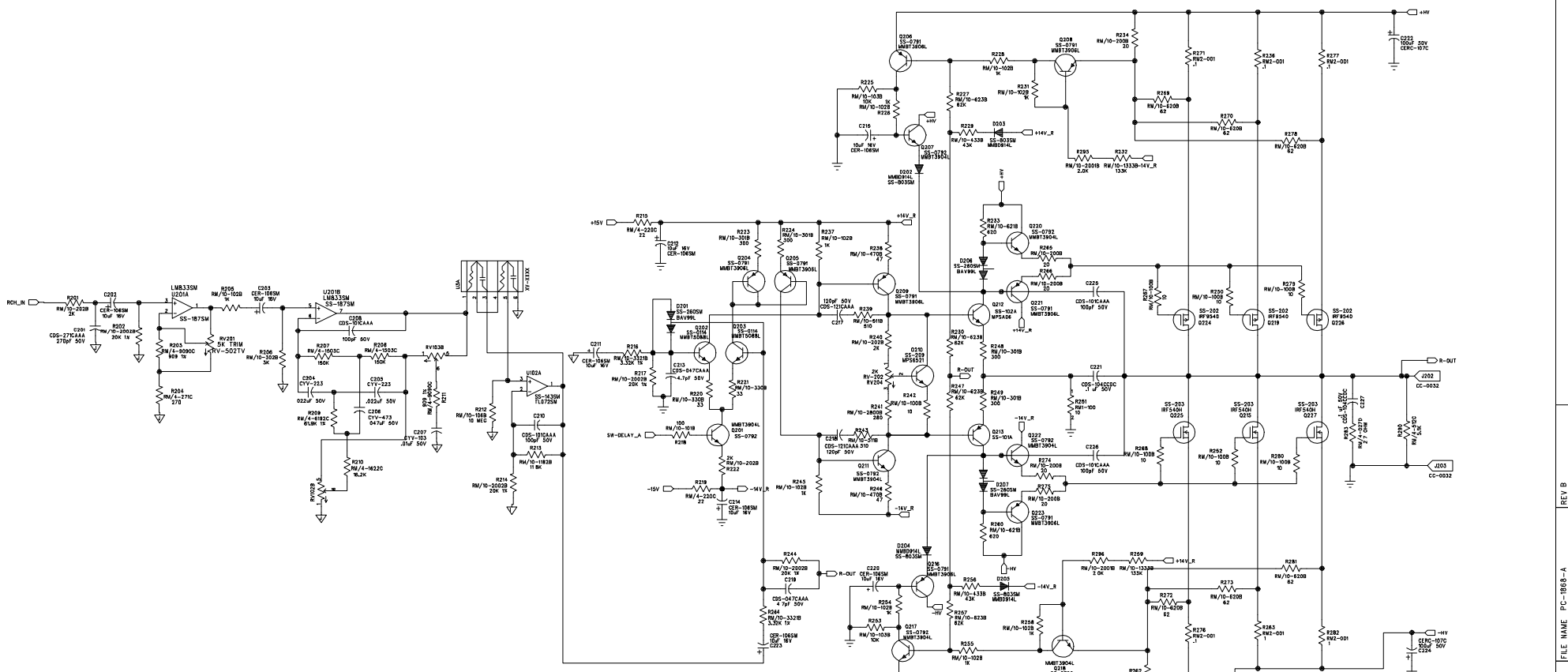
DWN	C.CASTRE JON	8/30/97	CORPORATION DIVISION TEMPE AZ
CHK			
ENGR	C.CASTRE JON	8/29/97	TITLE
APVD	C.CASTRE JON	8/29/97	P225X2 LEFT CHANNEL
MATL/FS	FILE NAME	PART NO.	REV
	PC-1885-A.SCH		A

PART NO. FILE NAME REV B

0	1	2	3	4	5	6	7	8	9	10	11	12	13	14
---	---	---	---	---	---	---	---	---	---	----	----	----	----	----

Z	SYM	DA	REVISION RECORD	AUTHORITY	DRAW	CHECK
			RELEASED			

- NOTES: UNLESS SPECIFIED OTHERWISE  
 1. ALL RESISTORS IN OHMS  
 2. ALL CAPACITORS IN MICROFARADS  
 3. COMMON PARTS DESIGNATORS 1 TO 99  
 4. LEFT CHANNEL DESIGNATORS 101 TO 199  
 5. RIGHT CHANNEL 201 TO 299



DWN	C.CASTRE JON	8/20/97	ROCKFORD FOSGATE CORPORATION DIVISION TEMPE AZ
CHK			
ENGR	C.CASTRE JON	8/29/97	TITLE
APVD	C.CASTRE JON	8/29/97	P225X2 RIGHT CHANNEL
APVD			SIZE D
MATL/FS	FILE NAME	PART NO.	REV
	PC-1885-A		A

REV B  
FILE NAME PC-1885-A  
PART NO. A